

---

**ZOOMLION**

ZOOMLION ZAT1600H8 ALL TERRAIN CRANE

# **TECHNICAL SPECIFICATIONS**

**ZAT1600H853/27Y**

**Zoomlion Heavy Industry Science & Technology Co.,Ltd.**

## TECHNICAL SPECIFICATIONS

ZAT1600H853/27Y

---

### Specifications, complete vehicle

#### Product model

Model in auto industry: ZAT1600H8

Model in engineering industry: ZAT1600H8

Code: ZAT1600H853



## Technical data

**Table 1 Technical data**

Item		Value	Remarks	
Work performance	Max. rated lifting capacity	t	160	
	Max. load moment of basic boom	t.m	525	
	Max. load moment of main boom (fully extended)	t.m	202.4	
	Max. lifting height of basic boom	m	14.4	
	Max. lifting height of main boom	m	88	These parameters do not include deflection of boom and jib.
	Max. lifting height of jib	m	116.5	
Work speeds	Max. hoist rope speed (Main winch)	m/mi	135	
	Boom derricking up time	s	70	
	Boom extending time	s	880	
	Slewing speed	r/min	0 - 1.6	
Driving	Max. operation altitude	m	2000	
	Max. driving speed	km/h	80	
	Max. gradeability	%	45	
	Min. turning diameter	m	18.5	
	Min. ground clearance	mm	326	
	Limits for exhaust pollutants and smoke		Europe V	
	Front overhang angle	°	18	
	Rear overhang angle	°	10	
Mass	Deadweight in driving condition	kg	61800	
	Complete vehicle kerb mass	kg	61605	
	Single axle load	kg	11400/11400/13000/13000/13000	
Dimensions	Overall dimensions (LxWxH)	mm	17015x3000x4000	
	Outrigger spread (W)	m	Completely extended: 8.3 m; intermediate extended: 5.5 m	
	Outrigger spread (L)	m	9.23	
	Slewing radius of counterweight tail	mm	5820	
	Main boom length	mm	14.4 - 88	
	Boom angle	°	-0.5 - 80	
	Jib length	m	10.4, 17.5	Optional:25.5m , 33.5m

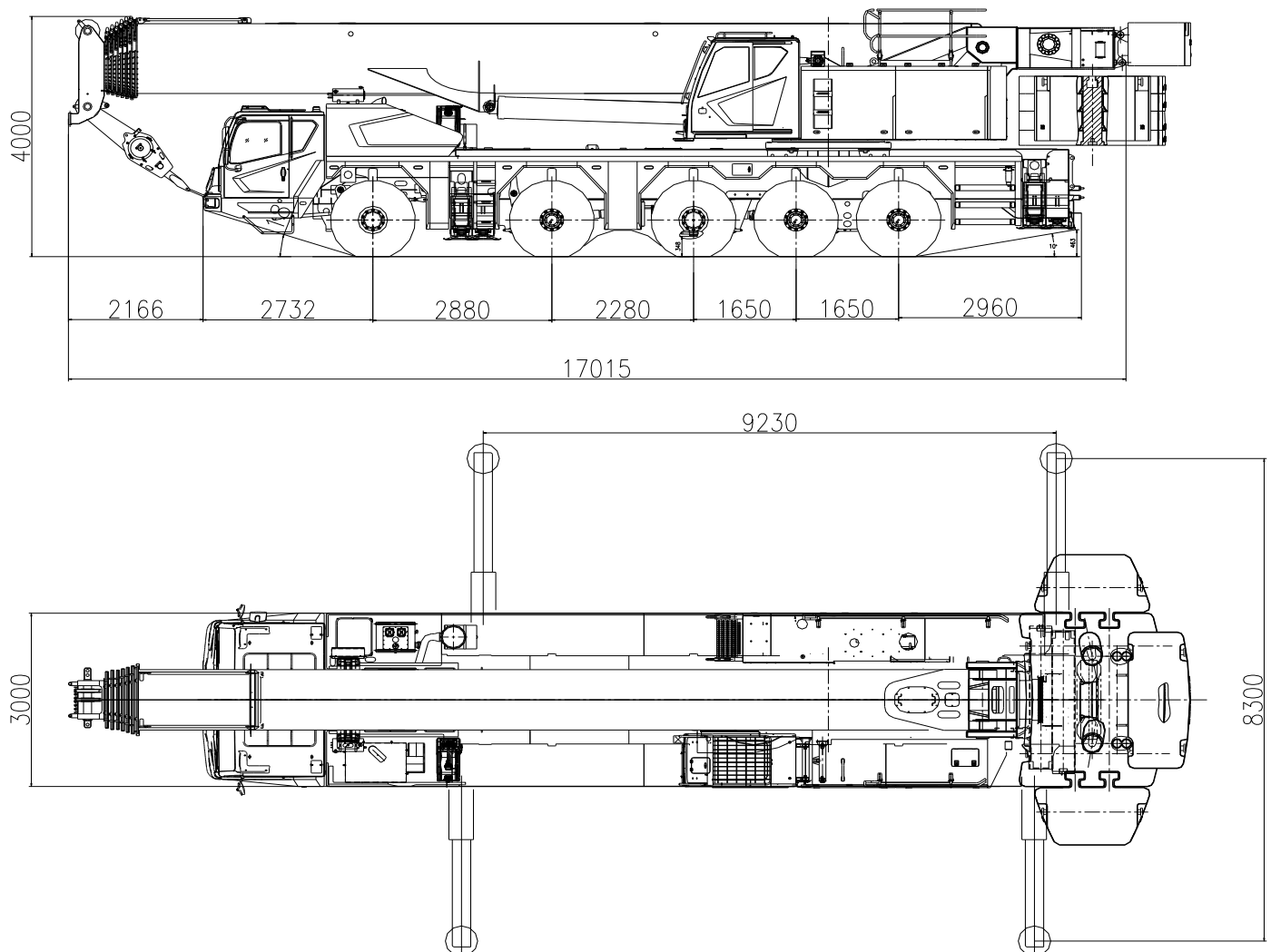
## Table of options

Table 2 Options

No.	Description	Remarks
1	Outrigger pads	Overall dimensions:1550mm*1550mm*120, 4 pieces
2	Extension	Including 2 pieces of 8m extensions
3	Hook	Stand configuration: 60t (ramshorn hook), 8t Optional: 110t, 90t, 70t (ramshorn hook), 25t

## Dimensions (unit: mm)

### Operation condition



## Hook (transported individually)

**Table 4 Hook**

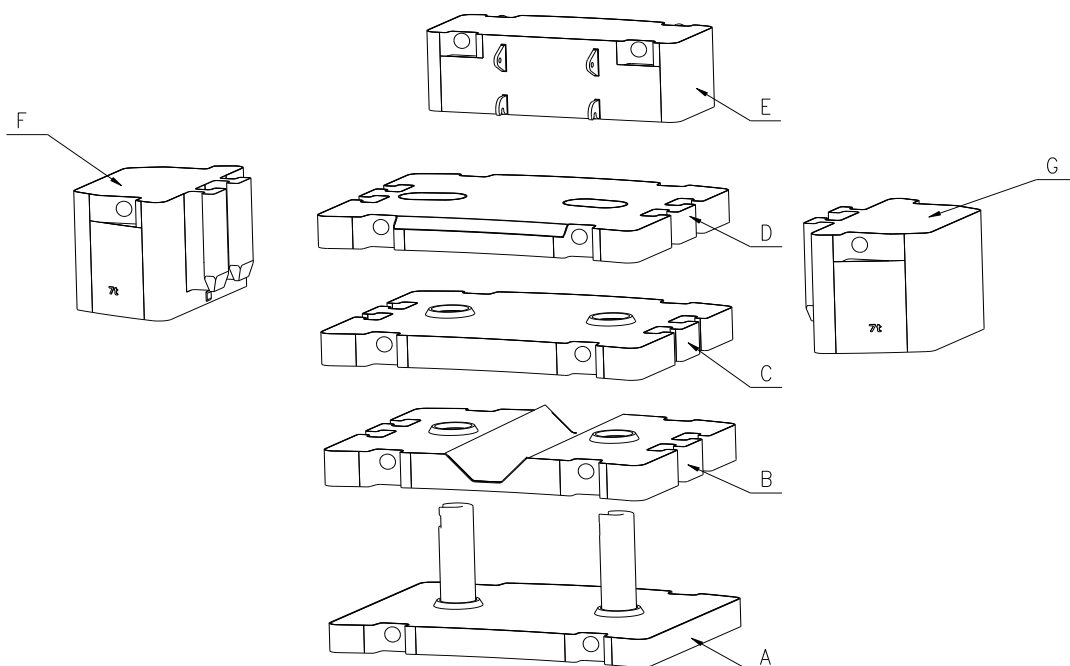
Specification	Weight (t)	Transport dimensions (mm)	Fall	Single/double hook	Standard/optional configuration
110t	1.28	1835×805×650	14	Double	Optional
90t	1.05	1665×650×755	14	Double	Optional
70t	0.92	1580×650×700	10	Double	Optional
70t	0.9	1675×650×580	10	Single	Optional
60t	0.75	460×650×1580	8	Double	Standard
25t	0.58	1410×650×390	3	Single	Optional
8t	0.38	φ405×845	1	Auxiliary hook	Standard

## Wire rope

**Table 5 Wire rope**

	Diameter (mm)	Length (m)	Max. pulling force for single rope (t)
Main hoist rope	φ20	360	9
Auxiliary hoist rope	φ20	220	9

## Counterweight (transported individually)



**Table 6 Counterweight**

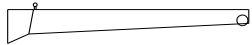
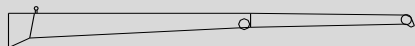
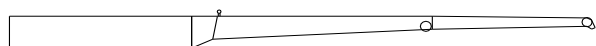
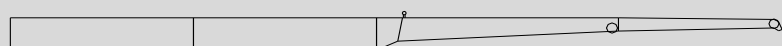
	Description	Mass (t)	Transport dimensions (mm)	Quantity (piece)
A	Lower counterweight	9	3100x2450x2100	1
B	Intermediate counterweight	9	3100x2450x500	1
C	Intermediate counterweight	9	3100x2450x500	1
D	Upper counterweight	9	3100x2450x400	1
E	Fixed counterweight	9	1200x2400x840	1
F	Side counterweight	7	1400x2100x1200	1
G	Side counterweight	7	1400x2100x1200	1

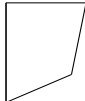
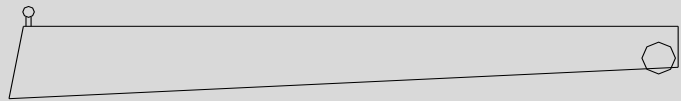
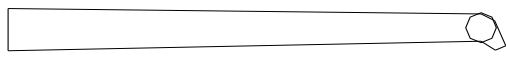
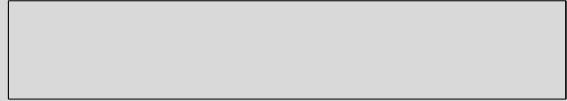
**Table 7 Counterweight combinations (Unit: piece)**

Combinations	A	B	C	D	E	F	G
0t	0	0	0	0	0	0	0
9t	0	0	0	0	1	0	0
18t	1	0	0	0	1	0	0
27t	1	1	0	0	1	0	0
36t	1	1	1	0	1	0	0
45t	1	1	1	1	1	0	0
50t	1	1	1	1	0	1	1
59t	1	1	1	1	1	1	1

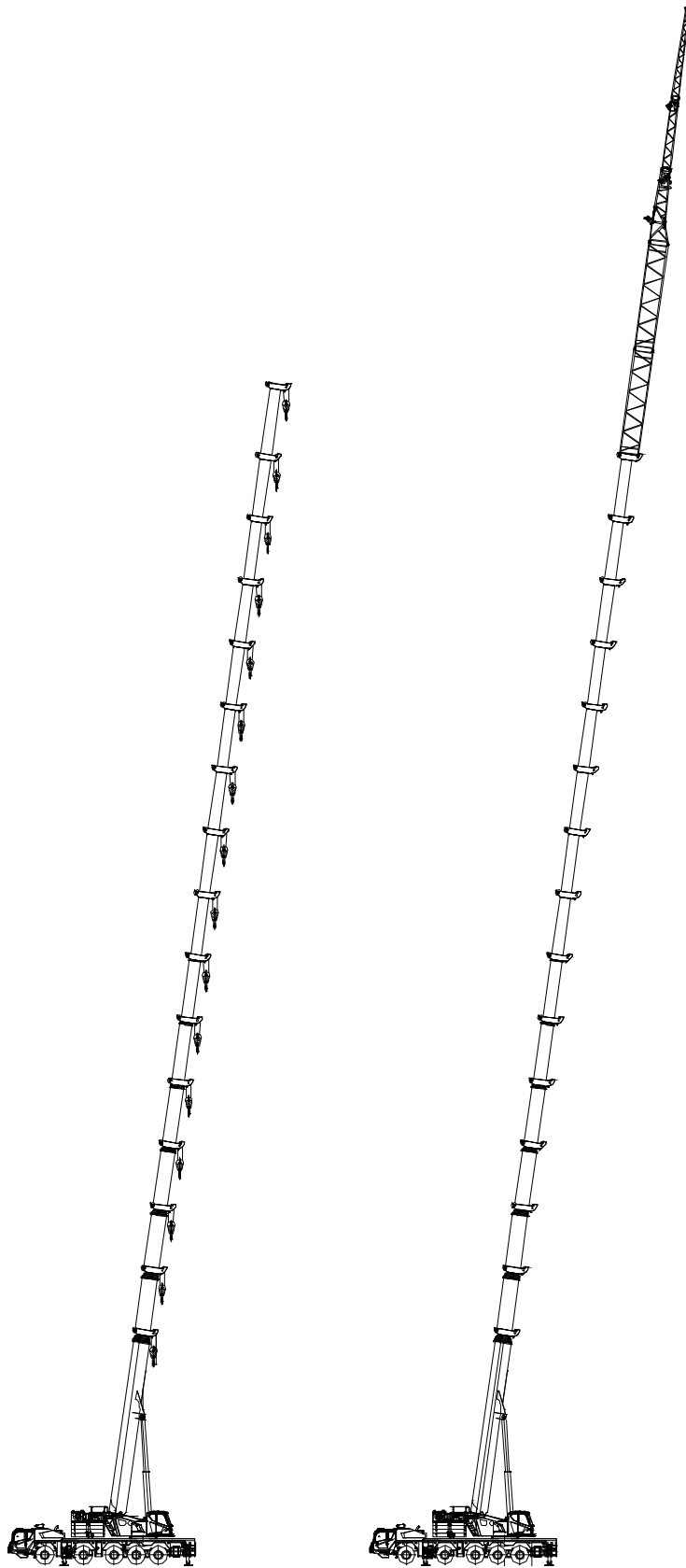
## Boom combinations

### Jib

10.4 m	
17.5 m	
25.5 m	
33.5 m	

Components	Structure type	Dimensions (L*W*H) mm	Mass kg
Adaptor		1300x720x1000	120
Jib section I		9800x720x880	430
Jib section II		6700x500x280	240
8 m extension		8000x720x1300	520

# OM combinations



Main boom

Jib

# Lifting capacity tables / Lifting height charts

Main boom OM: 14.4m – 88m

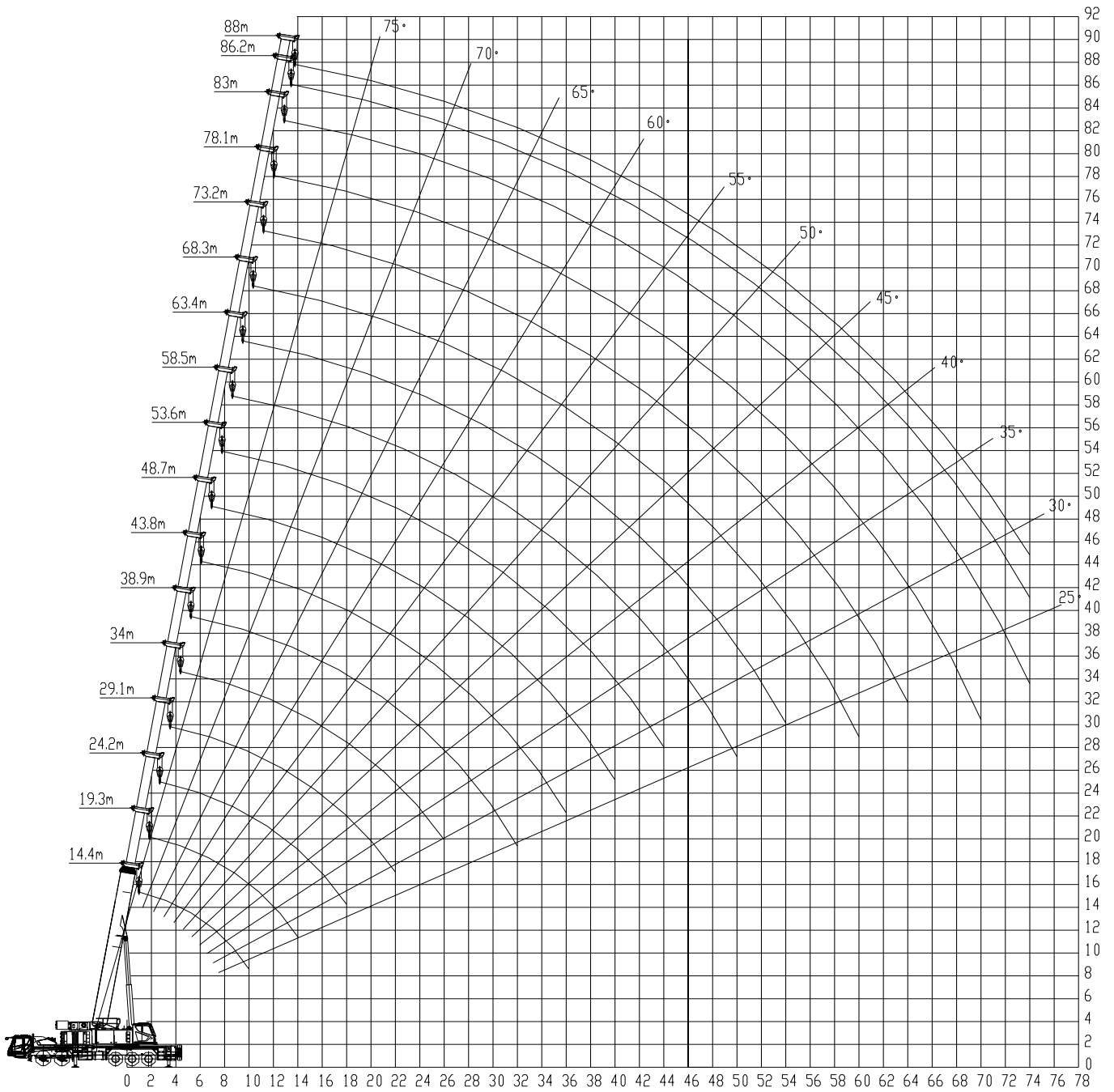


Table 8-1 Main boom 

Unit: t

Outriggers fully extended, with 59 tons counterweight, counterweight moved backwards, over full range																
Working radius (m)	Boom length (m)														Working radius (m)	
	14.4 ★	19.3	19.3	19.3	19.3	19.3	19.3	19.3 ★	24.2	24.2	24.2	24.2	24.2	24.2		24.2 ★
3.0	160*	48.5	55	72	75	95	110								3.0	
3.5	118	46	55	72	75	95	105	23	46	62	70	75	90	90	3.5	
4.0	107	43.5	55	72	75	95	103	22	44	58	67	72	84	85	4.0	
4.5	102	41.7	55	72	75	93	97	21	41	55	64	70	79	80	4.5	
5.0	96	39.5	55	70	75	90	91	20	39	52	60	67	73	76	5.0	
6.0	85	36.5	49	63	73	78	81	17.5	34	45	53	60	65	70	6.0	
7.0	75	33.5	44.5	57.5	67	68	71	16	31	41	47	62	62	64	7.0	
8.0	63	31.5	40.5	53	60	61	62	14.8	28.5	38	44	58	59	61.5	8.0	
9.0	56	29.5	37.5	48.5	55	56	56	13.7	26.2	35	40	56.5	56	55.5	9.0	
10.0	50	27.5	34	45	51	52	51	12.8	24.5	32.5	37	52	51.5	51	10.0	
12.0		24.5	30	38	42	45.5	45	10.9	20.5	27.5	31	45	44.5	44	12.0	
14.0		22.5	26.5	35.5	37	37.5	37	10	18.5	24	27.5	37	36.5	36.2	14.0	
16.0								9	16.5	22	25	32	31	30	16.0	
18.0								8.2	15	20	23.2	27.5	26.5	25.7	18.0	
20.0															20.0	
22.0															22.0	
24.0															24.0	
26.0															26.0	
28.0															28.0	
30.0															30.0	
32.0															32.0	
34.0															34.0	
36.0															36.0	
38.0															38.0	
40.0															40.0	
42.0															42.0	
44.0															44.0	
46.0															46.0	
48.0															48.0	
50.0															50.0	
52.0															52.0	
54.0															54.0	
56.0															56.0	
58.0															58.0	
60.0															60.0	
62.0															62.0	
64.0															64.0	
66.0															66.0	
68.0															68.0	
70.0															70.0	
Reeving	14	13						13						Reeving		
Hook	110t														Hook	
Telescoping mode	I	1	1	1	1	1	1	1	1	1	1	1	1	1	2	I
	II	1	1	1	1	1	1	2	1	1	1	1	1	2	2	II
	III	1	1	1	1	1	2	1	1	1	1	1	2	2	1	III
	IV	1	1	1	1	2	1	1	1	1	1	2	2	1	1	IV
	V	1	1	1	2	1	1	1	1	1	2	2	1	1	1	V
	VI	1	1	2	1	1	1	1	1	1	2	2	1	1	1	VI
	VII	1	2	1	1	1	1	1	3	2	1	1	1	1	1	VII

Note:

As for the lifting capacity marked with the asterisk (\*), you should adopt 120t - 160 t hook and increase rope reevings.



Table 8-1 Main boom



Unit: t

Outriggers fully extended, with 59 tons counterweight, counterweight moved backwards, over full range																
Working radius (m)	Boom length (m)														Working radius (m)	
	29.1	29.1	29.1	29.1	29.1	29.1	29.1★	34	34	34	34	34	34	34★		
3.0															3.0	
3.5															3.5	
4.0															4.0	
4.5	22	19	45	53	68	80	82								4.5	
5.0	21	18.2	43	51.5	65	78	80								5.0	
6.0	19.3	16.2	38	45.5	60	70	72	13.5	17.5	27	40.5	50	65	68	6.0	
7.0	18.2	14.5	35	41	55	63	65	12.2	16.1	25	37	46	60	63	7.0	
8.0	17	13.1	32	37.5	49	60	60	11.2	14.8	23	34	42	55	58	8.0	
9.0	15.7	12.1	30	34.5	46.5	54	54	10.3	13.7	21	31.5	39	51	53	9.0	
10.0	14.7	11.2	27.6	32	43	50	50.5	9.6	12.5	19.6	29	36.5	47	50	10.0	
12.0	12.7	9.6	24	27	37	43	43.5	8	10.8	16.8	24.5	30.8	39	43	12.0	
14.0	11.4	8.3	21	24	33	37	36	7.1	9.6	14.9	22	28.5	36	36	14.0	
16.0	10.5	7.4	18.6	21.5	29.5	31.5	30.5	6.3	8.5	13	19.5	25.5	31	30.5	16.0	
18.0	9.6	6.6	17	19.5	26.6	28	26.5	5.7	7.7	11.8	17.7	23	27	26.5	18.0	
20.0	8.8	6	15.4	17.6	23.1	23.5	22.5	5.1	7.1	10.7	16	21	24	23	20.0	
22.0	8.1	5.4	14.2	16.2	21.5	20	19	4.6	6.4	9.9	14.7	19	21	20	22.0	
24.0								4.2	5.9	9.1	13.6	18	18	17.1	24.0	
26.0								3.8	5.4	8.4	12.5	16.5	16	14.7	26.0	
28.0															28.0	
30.0															30.0	
32.0															32.0	
34.0															34.0	
36.0															36.0	
38.0															38.0	
40.0															40.0	
42.0															42.0	
44.0															44.0	
46.0															46.0	
48.0															48.0	
50.0															50.0	
52.0															52.0	
54.0															54.0	
56.0															56.0	
58.0															58.0	
60.0															60.0	
62.0															62.0	
64.0															64.0	
66.0															66.0	
68.0															68.0	
70.0															70.0	
Reeving	11							9							Reeving	
Hook	90t														Hook	
Telescoping mode	I	1	1	1	1	1	1	2	1	1	1	1	1	1	2	I
	II	1	1	1	1	1	2	2	1	1	1	1	1	2	2	II
	III	1	1	1	1	2	2	2	1	1	1	1	2	2	2	III
	IV	1	1	1	2	2	2	1	1	1	1	2	2	2	2	IV
	V	1	1	2	2	2	1	1	1	2	3	2	2	2	1	V
	VI	2	3	2	2	1	1	1	3	3	2	2	2	2	1	VI
	VII	3	2	2	1	1	1	1	3	2	2	2	2	1	1	VII

Table 8-1 Main boom



Unit: t

Outriggers fully extended, with 59 tons counterweight, counterweight moved backwards, over full range																
Working radius (m)	Boom length (m)															Working radius (m)
	38.9	38.9	38.9	38.9	38.9	38.9	38.9★	43.8	43.8	43.8	43.8	43.8	43.8	43.8★		
3.0																3.0
3.5																3.5
4.0																4.0
4.5																4.5
5.0																5.0
6.0																6.0
7.0	13.4	17.3	19	24	40	51	60									7.0
8.0	12.3	16.1	17.5	22.3	37.2	47.5	57									8.0
9.0	11.5	14.9	16.1	20.6	34.5	44	53	12	14.7	17.5	22.1	27.5	38	48		9.0
10.0	10.7	13.8	14.9	19	32.5	41.5	50	11.5	13.7	16.2	20.7	25.8	36	45.5		10.0
12.0	9.1	12	12.7	16.2	27.5	35	41	9.9	11.5	14	17.6	22.3	31.7	40		12.0
14.0	8	10.8	11.2	14.2	25	32	37	8.8	10	12.5	15.7	19.5	28.2	36		14.0
16.0	7.1	9.7	10	12.5	22.5	28.5	32	7.9	9	11	13.8	17.3	25.3	33		16.0
18.0	6.4	8.8	9	11.3	20.2	26.2	27.8	7.2	8	10	12.5	15.5	23.1	28.5		18.0
20.0	5.9	8	8	10.2	18.5	24.1	24.2	6.6	7.3	9	11.3	14	21	24.8		20.0
22.0	5.3	7.2	7.3	9.3	16.8	21	21	6	6.6	8.2	10.2	12.8	19.2	21.5		22.0
24.0	4.9	6.8	6.7	8.5	15.5	19	18	5.6	6	7.6	9.4	11.7	18	19		24.0
26.0	4.6	6.3	6.1	7.8	14.5	17	15.8	5.2	5.5	6.9	8.6	10.7	16.7	16.3		26.0
28.0	4.2	5.9	5.6	7.2	13.6	15	13.5	4.8	5	6.4	7.9	9.9	15.3	14.5		28.0
30.0	3.9	5.5	5.1	6.6	12.7	13.4	12	4.5	4.6	5.9	7.3	9.2	14	12.7		30.0
32.0	3.6	5.1	4.7	6	12	11.8	10.5	4.2	4.3	5.5	6.8	7.6	12.5	11.3		32.0
34.0								3.9	3.9	5	6.3	8	11.2	10		34.0
36.0								3.6	3.6	4.7	5.9	7.5	10	9		36.0
38.0																38.0
40.0																40.0
42.0																42.0
44.0																44.0
46.0																46.0
48.0																48.0
50.0																50.0
52.0																52.0
54.0																54.0
56.0																56.0
58.0																58.0
60.0																60.0
62.0																62.0
64.0																64.0
66.0																66.0
68.0																68.0
70.0																70.0
Reeving	8							6							Reeving	
Hook	90t							55t							Hook	
Telescoping mode	I	1	1	1	1	1	1	2	1	1	1	1	1	1	2	I
	II	1	1	1	1	1	2	2	1	1	1	1	1	2	2	II
	III	1	1	1	1	2	2	2	1	1	1	2	3	2	2	III
	IV	1	1	2	3	2	2	2	1	2	3	3	2	2	2	IV
	V	2	3	3	2	2	2	2	3	3	3	2	2	2	2	V
	VI	3	3	2	2	2	2	1	3	3	2	2	2	2	2	VI
	VII	3	2	2	2	2	1	1	3	2	2	2	2	2	1	VII

Table 8-1 Main boom



Unit: t

Outriggers fully extended, with 59 tons counterweight, counterweight moved backwards, over full range																
Working radius (m)	Boom length (m)															Working radius (m)
	48.7	48.7	48.7	48.7	48.7	48.7	48.7★	53.6	53.6	53.6	53.6	53.6	53.6	53.6		
3.0																3.0
3.5																3.5
4.0																4.0
4.5																4.5
5.0																5.0
6.0																6.0
7.0																7.0
8.0																8.0
9.0																9.0
10.0	12.2	14.7	17.5	22	26.3	27	39									10.0
12.0	10.7	12.5	15	19.2	22.8	23.5	35.2	11	13.2	15.8	20.5	21.5	25	30		12.0
14.0	9.6	11.2	13.3	17	20	21	32.5	10	12	14.3	18.6	19.3	22	26.5		14.0
16.0	8.7	10	12	15.1	17.6	18.5	29.5	9.2	10.9	13	16.8	17	20	23.7		16.0
18.0	7.7	9	11	13.7	16	16.5	26.8	8.3	9.7	11.8	15	15.3	18	21.4		18.0
20.0	6.9	8.1	10	12.5	14.3	14.8	24.3	7.6	8.9	10.8	13.6	14	16.5	19.5		20.0
22.0	6.3	7.3	9.1	11.4	13	13.5	22.3	7	8.2	10	12.5	12.6	14.9	17.5		22.0
24.0	5.8	6.8	8.5	10.5	11.7	12.3	20	6.4	7.5	9.3	11.3	11.5	13.6	16		24.0
26.0	5.3	6.3	7.9	9.7	10.9	11.2	17.5	5.9	6.9	8.6	10.4	10.5	12.4	14.5		26.0
28.0	4.8	5.8	7.3	9	10	10.3	15.5	5.4	6.4	8	9.5	9.6	11.3	13.3		28.0
30.0	4.4	5.3	6.8	8.3	9.4	9.4	13.7	5	5.9	7.5	8.7	8.7	10.4	12.1		30.0
32.0	4.1	4.9	6.3	7.7	8.7	8.7	12.2	4.6	5.5	7	8.1	8	9.6	11.2		32.0
34.0	3.8	4.6	5.8	7.2	7.9	7.5	10.9	4.3	5.2	6.5	7.5	7.4	8.9	10.3		34.0
36.0	3.5	4.3	5.3	6.7	7.4	7	9.8	4	4.8	6.1	6.9	6.8	8.3	9.5		36.0
38.0	3.2	4	4.9	6.3	6.9	6.4	8.8	3.7	4.5	5.7	6.4	6.3	7.9	8.3		38.0
40.0	3	3.7	4.7	5.8	6.4	6	8	3.4	4.2	5.4	5.9	5.8	7.4	7.4		40.0
42.0								3.3	4	4.9	5.5	5.4	6.8	6.6		42.0
44.0								3	3.8	4.6	5.1	5	6.2	5.8		44.0
46.0																46.0
48.0																48.0
50.0																50.0
52.0																52.0
54.0																54.0
56.0																56.0
58.0																58.0
60.0																60.0
62.0																62.0
64.0																64.0
66.0																66.0
68.0																68.0
70.0																70.0
Reeving	5							4							Reeving	
Hook	55t															Hook
Telescoping mode	I	1	1	1	1	1	1	2	1	1	1	1	1	2	3	I
	II	1	1	1	1	2	3	2	1	1	1	2	3	3	2	II
	III	1	1	2	3	3	2	2	1	2	3	3	3	2	2	III
	IV	2	3	3	3	2	2	2	3	3	3	3	2	2	2	IV
	V	3	3	3	2	2	2	2	3	3	3	2	2	2	2	V
	VI	3	3	2	2	2	2	2	3	3	2	2	2	2	2	VI
	VII	3	2	2	2	2	2	2	3	2	2	2	2	2	2	VII

Table 8-1 Main boom



Unit: t

Outriggers fully extended, with 59 tons counterweight, counterweight moved backwards, over full range															
Working radius (m)	Boom length (m)													Working radius (m)	
	58.5	58.5	58.5	58.5	58.5	58.5 ★				63.4	63.4	63.4	63.4		63.4 ★
3.0															3.0
3.5															3.5
4.0															4.0
4.5															4.5
5.0															5.0
6.0															6.0
7.0															7.0
8.0															8.0
9.0															9.0
10.0															10.0
12.0															12.0
14.0	10.5	12.6	15.2	18	20.5	23				10.7	13.5	15.8	18	19	14.0
16.0	9.6	11.5	14.3	16.6	19	21				10.1	12.5	15.1	17.7	18.7	16.0
18.0	9	10.5	13	15	17.2	19.5				9.3	11.5	13.9	16.2	17.8	18.0
20.0	8.2	9.6	12.1	13.6	16.5	17.8				8.7	10.5	12.8	14.5	16.3	20.0
22.0	7.6	8.9	11.2	12	14.2	16.2				8.1	9.7	11.5	13.5	14.9	22.0
24.0	7	8.2	10.3	11	12.8	14.8				7.5	9	10.5	12.3	13.8	24.0
26.0	6.4	7.6	9.7	9.9	11.6	13.6				7	8.4	9.6	11.1	12.8	26.0
28.0	5.9	7	9	9.1	10.6	12.4				6.5	7.9	8.8	10.2	11.7	28.0
30.0	5.5	6.6	8.4	8.4	10	11.4				6	7.4	8.1	9.5	10.8	30.0
32.0	5.1	6.1	7.9	7.7	9.2	10.5				5.7	6.9	7.5	8.6	10	32.0
34.0	4.8	5.7	7.2	7	8.3	9.7				5.3	6.5	6.9	8	9.3	34.0
36.0	4.5	5.4	6.7	6.5	7.7	8.9				5	6.1	6.4	7.4	8.5	36.0
38.0	4.2	5.1	6.2	5.9	7.1	8.2				4.7	5.8	5.9	6.8	7.8	38.0
40.0	4	4.8	5.8	5.5	6.5	7.5				4.7	5.4	5.4	6.3	7.2	40.0
42.0	3.7	4.5	5.4	5	6.1	6.5				4.1	5.1	4.9	5.8	6.6	42.0
44.0	3.5	4.3	5	4.7	5.9	5.8				3.9	4.8	4.6	5.6	5.7	44.0
46.0	3.3	4	4.6	4	5.5	5.1				3.7	4.4	4.2	5.1	5.1	46.0
48.0	3	3.7	4.3	3.9	5.1	4.5				3.5	4.1	3.9	4.7	4.5	48.0
50.0	2.8	3.5	4	3.6	4.6	3.9				3.3	3.8	3.6	4.4	4	50.0
52.0										3.4	3.5	3.3	4	3.5	52.0
54.0										2.9	3.3	3	3.6	3	54.0
56.0															56.0
58.0															58.0
60.0															60.0
62.0															62.0
64.0															64.0
66.0															66.0
68.0															68.0
70.0															70.0
Reeving	4									3					Reeving
Hook	55t									25t					Hook
Telescoping mode	I	1	1	1	1	2	3			1	1	1	2	3	Telescoping mode
	II	1	1	2	3	3	3			1	2	3	3	3	
	III	2	3	3	3	3	2			3	3	3	3	3	
	IV	3	3	3	3	2	2			3	3	3	3	2	
	V	3	3	3	2	2	2			3	3	3	2	2	
	VI	3	3	2	2	2	2			3	3	2	2	2	
	VII	3	2	2	2	2	2			3	2	2	2	2	

Table 8-1 Main boom



Unit: t

Outriggers fully extended, with 59 tons counterweight, counterweight moved backwards, over full range																
Working radius (m)	Boom length (m)														Working radius (m)	
	68.3	68.3	68.3	68.3 ★		73.2	73.2	73.2 ★		78.1	78.1 ★	83 ★	86.2 ★	88 ★		
3.0															3.0	
3.5															3.5	
4.0															4.0	
4.5															4.5	
5.0															5.0	
6.0															6.0	
7.0															7.0	
8.0															8.0	
9.0															9.0	
10.0															10.0	
12.0															12.0	
14.0															14.0	
16.0	10.5	13	14.5	15.5											16.0	
18.0	9.9	12.2	14	15		10	10.8	11.5							18.0	
20.0	9.3	11.3	13.5	14.5		9.7	10.5	11.2		8.2	9				20.0	
22.0	8.7	10.6	12.6	13.6		9.2	10.1	10.8		8	8.7	7.1			22.0	
24.0	8.2	9.8	11.5	12.5		8.7	9.7	10.4		7.8	8.4	7	6	5.7	24.0	
26.0	7.6	9.2	10.6	11.5		8.2	9.3	10		7.6	8.2	6.8	5.8	5.6	26.0	
28.0	7	8.6	9.7	10.8		7.8	8.9	9.6		7.4	8	6.6	5.7	5.5	28.0	
30.0	6.6	7.9	8.9	10		7.3	8.5	9.2		7.2	7.8	6.4	5.6	5.4	30.0	
32.0	6.2	7.3	8.3	9.3		6.9	8	8.6		7	7.5	6.2	5.5	5.3	32.0	
34.0	5.8	6.7	7.7	8.6		6.5	7.4	8		6.8	7.2	6	5.4	5.2	34.0	
36.0	5.5	6.2	7	8		6.1	6.8	7.4		6.5	6.9	5.9	5.3	5.1	36.0	
38.0	5.2	5.7	6.5	7.4		5.6	6.3	6.9		6.1	6.5	5.7	5.2	5	38.0	
40.0	4.9	5.3	6	6.8		5.2	5.8	6.4		5.7	6.1	5.6	5.1	4.9	40.0	
42.0	4.6	4.9	5.6	6.3		4.8	5.4	5.8		5.2	5.6	5.4	4.9	4.7	42.0	
44.0	4.4	4.5	5.1	5.8		4.5	5	5.4		4.8	5.2	5.2	4.8	4.6	44.0	
46.0	4.2	4.2	4.8	5.3		4.1	4.6	5		4.5	4.8	4.9	4.5	4.3	46.0	
48.0	4	3.8	4.5	4.8		3.8	4.3	4.7		4.1	4.4	4.6	4.3	4.1	48.0	
50.0	3.8	3.6	4.3	4.3		3.6	4	4.3		3.9	4.1	4.3	4.1	3.9	50.0	
52.0	3.6	3.3	4	3.8		3.3	3.7	3.9		3.7	3.8	4	3.9	3.7	52.0	
54.0	3.3	3	3.6	3.3		3	3.4	3.5		3.4	3.5	3.7	3.6	3.4	54.0	
56.0	3.1	2.8	3.4	2.9		2.8	3.1	3.1		3.2	3.2	3.5	3.4	3.2	56.0	
58.0	2.9	2.6	3.1	2.4		2.6	2.9	2.7		3	2.9	3.2	3.1	3	58.0	
60.0	2.6	2.4	2.8	2.1		2.4	2.7	2.3		2.8	2.7	3	2.9	2.8	60.0	
62.0						2.3	2.5	1.9		2.6	2.4	2.7	2.7	2.6	62.0	
64.0						2	2.3	1.5		2.4	2	2.5	2.5	2.4	64.0	
66.0										2.2	1.7	2.3	2.3	2.2	66.0	
68.0										2	1.4	1.9	2	1.9	68.0	
70.0										1.7	1.1	1.6	1.8	1.7	70.0	
72.0												1.3	1.6	1.4	72.0	
74.0												1	1.2	1.1	74.0	
Reeving	3					3				2		2	2	2	Hook	
Hook	25t														Hook	
Telescoping mode	I	1	1	2	3		1	2	3		2	3	3	3	4	I
	II	2	3	3	3		3	3	3		3	3	3	3	4	II
	III	3	3	3	3		3	3	3		3	3	3	4	4	III
	IV	3	3	3	3		3	3	3		3	3	3	4	4	IV
	V	3	3	3	2		3	3	3		3	3	3	4	4	V
	VI	3	3	2	2		3	3	2		3	3	3	4	4	VI
	VII	3	2	2	2		3	2	2		3	2	3	4	4	VII

Table 8-2 Main boom

Unit: t

Outriggers fully extended, with 50 tons counterweight, counterweight moved backwards, over full range																
Working radius (m)	Boom length (m)														Working radius (m)	
	14.4 ★	19.3	19.3	19.3	19.3	19.3	19.3	19.3 ★	24.2	24.2	24.2	24.2	24.2	24.2		24.2 ★
3.0	122	48.5	55	72	75	95	110								3.0	
3.5	115	46	55	72	75	95	105	23	46	62	70	75	90	90	3.5	
4.0	105	43.5	55	72	75	95	100	22	44	58	67	72	84	85	4.0	
4.5	100	41.7	55	72	75	93	95	21	41	55	64	70	79	80	4.5	
5.0	94	39.5	55	70	75	87	87	20	39	52	60	67	73	76	5.0	
6.0	80	36.5	49	63	73	77	77	17.5	34	45	53	60	65	70	6.0	
7.0	71	33.5	44.5	57.5	67	68	68	16	31	41	47	62	62	64	7.0	
8.0	58	31.5	40.5	53	58	57.5	58	14.8	28.5	38	44	57	57	57	8.0	
9.0	52	29.5	37.5	48.5	52	52	52	13.7	26.2	35	40	51	51	51	9.0	
10.0	47	27.5	34	45	46	46	47	12.8	24.5	32.5	37	47	46	46.5	10.0	
12.0		24.5	30	38	42	41	40.5	10.9	20.5	27.5	31	41	41	41	12.0	
14.0		22.5	26.5	35.5	35	34.5	34.2	10	18.5	24	27.5	34.8	34.3	33.7	14.0	
16.0								9	16.5	22	25	28	27	26.5	16.0	
18.0								8.2	15	20	23.2	23.9	23.0	21.5	18.0	
20.0															20.0	
22.0															22.0	
24.0															24.0	
26.0															26.0	
28.0															28.0	
30.0															30.0	
32.0															32.0	
34.0															34.0	
36.0															36.0	
38.0															38.0	
40.0															40.0	
42.0															42.0	
44.0															44.0	
46.0															46.0	
48.0															48.0	
50.0															50.0	
52.0															52.0	
54.0															54.0	
56.0															56.0	
58.0															58.0	
60.0															60.0	
62.0															62.0	
64.0															64.0	
66.0															66.0	
68.0															68.0	
70.0															70.0	
Reeving	14	13						13						Reeving		
Hook	110t														Hook	
Telescoping mode	I	1	1	1	1	1	1	1	1	1	1	1	1	1	2	Telescoping mode
	II	1	1	1	1	1	1	2	1	1	1	1	1	2	2	
	III	1	1	1	1	1	2	1	1	1	1	1	2	2	1	
	IV	1	1	1	1	2	1	1	1	1	1	2	2	1	1	
	V	1	1	1	2	1	1	1	1	1	2	2	1	1	1	
	VI	1	1	2	1	1	1	1	1	1	2	2	1	1	1	
	VII	1	2	1	1	1	1	1	3	2	1	1	1	1	1	

Table 8-2 Main boom

Unit: t

Outriggers fully extended, with 50 tons counterweight, counterweight moved backwards, over full range																
Working radius (m)	Boom length (m)														Working radius (m)	
	29.1	29.1	29.1	29.1	29.1	29.1	29.1★	34	34	34	34	34	34	34★		
3.0																3.0
3.5																3.5
4.0																4.0
4.5	22	19	45	53	68	80	82									4.5
5.0	21	18.2	43	51.5	65	78	80									5.0
6.0	19.3	16.2	38	45.5	60	70	72	13.5	17.5	27	40.5	50	65	68		6.0
7.0	18.2	14.5	35	41	55	63	65	12.2	16.1	25	37	46	60	63		7.0
8.0	17	13.1	32	37.5	49	58	58	11.2	14.8	23	34	42	55	58		8.0
9.0	15.7	12.1	30	34.5	46.5	52	52	10.3	13.7	21	31.5	39	51	53		9.0
10.0	14.7	11.2	27.6	32	43	47	46	9.6	12.5	19.6	29	36.5	47	47		10.0
12.0	12.7	9.6	24	27	37	42.5	41.5	8	10.8	16.8	24.5	30.8	39	42		12.0
14.0	11.4	8.3	21	24	33	35.5	34.2	7.1	9.6	14.9	22	28.5	36	36		14.0
16.0	10.5	7.4	18.6	21.5	29.5	31	27.1	6.3	8.5	13	19.5	25.5	31	30		16.0
18.0	9.6	6.6	17	19.5	26.6	23.7	22.1	5.7	7.7	11.8	17.7	23	23	22.5		18.0
20.0	8.8	6	15.4	17.6	23.1	19.9	18.3	5.1	7.1	10.7	16	21	20.6	19.1		20.0
22.0	8.1	5.4	14.2	16.2	18.0	16.8	15.4	4.6	6.4	9.9	14.7	19	17.6	16.1		22.0
24.0								4.2	5.9	9.1	13.6	18	15.2	13.7		24.0
26.0								3.8	5.4	8.4	12.5	14.3	13.2	11.7		26.0
28.0																28.0
30.0																30.0
32.0																32.0
34.0																34.0
36.0																36.0
38.0																38.0
40.0																40.0
42.0																42.0
44.0																44.0
46.0																46.0
48.0																48.0
50.0																50.0
52.0																52.0
54.0																54.0
56.0																56.0
58.0																58.0
60.0																60.0
62.0																62.0
64.0																64.0
66.0																66.0
68.0																68.0
70.0																70.0
Reeving	11							9							Reeving	
Hook	90t														Hook	
Telescoping mode	I	1	1	1	1	1	1	2	1	1	1	1	1	1	2	I
	II	1	1	1	1	1	2	2	1	1	1	1	1	2	2	II
	III	1	1	1	1	2	2	2	1	1	1	1	2	2	2	III
	IV	1	1	1	2	2	2	1	1	1	1	2	2	2	2	IV
	V	1	1	2	2	2	1	1	1	2	3	2	2	2	1	V
	VI	2	3	2	2	1	1	1	3	3	2	2	2	1	1	VI
	VII	3	2	2	1	1	1	1	3	2	2	2	1	1	1	VII

Table 8-2 Main boom

Unit: t

Outriggers fully extended, with 50 tons counterweight, counterweight moved backwards, over full range																
Working radius (m)	Boom length (m)														Working radius (m)	
	38.9	38.9	38.9	38.9	38.9	38.9	38.9★	43.8	43.8	43.8	43.8	43.8	43.8	43.8★		
3.0																3.0
3.5																3.5
4.0																4.0
4.5																4.5
5.0																5.0
6.0																6.0
7.0	13.4	17.3	19	24	40	51	60									7.0
8.0	12.3	16.1	17.5	22.3	37.2	47.5	57									8.0
9.0	11.5	14.9	16.1	20.6	34.5	44	53	12	14.7	17.5	22.1	27.5	38	48		9.0
10.0	10.7	13.8	14.9	19	32.5	41.5	50	11.5	13.7	16.2	20.7	25.8	36	45.5		10.0
12.0	9.1	12	12.7	16.2	27.5	35	41	9.9	11.5	14	17.6	22.3	31.7	40		12.0
14.0	8	10.8	11.2	14.2	25	32	37	8.8	10	12.5	15.7	19.5	28.2	36		14.0
16.0	7.1	9.7	10	12.5	22.5	28.5	28.8	7.9	9	11	13.8	17.3	25.3	33		16.0
18.0	6.4	8.8	9	11.3	20.2	26.2	23.7	7.2	8	10	12.5	15.5	23.1	24.6		18.0
20.0	5.9	8	8	10.2	18.5	21.5	19.9	6.6	7.3	9	11.3	14	21	20.7		20.0
22.0	5.3	7.2	7.3	9.3	16.8	18.5	16.8	6	6.6	8.2	10.2	12.8	19.2	17.6		22.0
24.0	4.9	6.8	6.7	8.5	15.5	16.0	14.4	5.6	6	7.6	9.4	11.7	18	15.2		24.0
26.0	4.6	6.3	6.1	7.8	14.5	14.0	12.4	5.2	5.5	6.9	8.6	10.7	14.8	13.2		26.0
28.0	4.2	5.9	5.6	7.2	13.6	12.2	10.8	4.8	5	6.4	7.9	9.9	13.1	11.5		28.0
30.0	3.9	5.5	5.1	6.6	12.7	10.8	9.4	4.5	4.6	5.9	7.3	9.2	11.6	10.1		30.0
32.0	3.6	5.1	4.7	6	10.7	9.6	8.2	4.2	4.3	5.5	6.8	7.6	10.4	8.9		32.0
34.0								3.9	3.9	5	6.3	8	9.3	7.8		34.0
36.0								3.6	3.6	4.7	5.9	7.5	8.3	6.9		36.0
38.0																38.0
40.0																40.0
42.0																42.0
44.0																44.0
46.0																46.0
48.0																48.0
50.0																50.0
52.0																52.0
54.0																54.0
56.0																56.0
58.0																58.0
60.0																60.0
62.0																62.0
64.0																64.0
66.0																66.0
68.0																68.0
70.0																70.0
Reeving	8							6							Reeving	
Hook	90t							55t							Hook	
Telescoping mode	I	1	1	1	1	1	1	2	1	1	1	1	1	1	2	I
	II	1	1	1	1	1	2	2	1	1	1	1	1	2	2	II
	III	1	1	1	1	2	2	2	1	1	1	2	3	2	2	III
	IV	1	1	2	3	2	2	2	1	2	3	3	2	2	2	IV
	V	2	3	3	2	2	2	2	3	3	3	2	2	2	2	V
	VI	3	3	2	2	2	2	1	3	3	2	2	2	2	2	VI
	VII	3	2	2	2	2	1	1	3	2	2	2	2	2	1	VII



Table 8-2 Main boom

Unit: t

Outriggers fully extended, with 50 tons counterweight, counterweight moved backwards, over full range																
Working radius (m)	Boom length (m)														Working radius (m)	
	48.7	48.7	48.7	48.7	48.7	48.7	48.7★	53.6	53.6	53.6	53.6	53.6	53.6	53.6		
3.0																3.0
3.5																3.5
4.0																4.0
4.5																4.5
5.0																5.0
6.0																6.0
7.0																7.0
8.0																8.0
9.0																9.0
10.0	12.2	14.7	17.5	22	26.3	27	39									10.0
12.0	10.7	12.5	15	19.2	22.8	23.5	35.2	11	13.2	15.8	20.5	21.5	25	30		12.0
14.0	9.6	11.2	13.3	17	20	21	32.5	10	12	14.3	18.6	19.3	22	26.5		14.0
16.0	8.7	10	12	15.1	17.6	18.5	29.5	9.2	10.9	13	16.8	17	20	23.7		16.0
18.0	7.7	9	11	13.7	16	16.5	26.8	8.3	9.7	11.8	15	15.3	18	21.4		18.0
20.0	6.9	8.1	10	12.5	14.3	14.8	21.6	7.6	8.9	10.8	13.6	14	16.5	19.5		20.0
22.0	6.3	7.3	9.1	11.4	13	13.5	18.5	7	8.2	10	12.5	12.6	14.9	17.5		22.0
24.0	5.8	6.8	8.5	10.5	11.7	12.3	16.0	6.4	7.5	9.3	11.3	11.5	13.6	16		24.0
26.0	5.3	6.3	7.9	9.7	10.9	11.2	14.0	5.9	6.9	8.6	10.4	10.5	12.4	14.5		26.0
28.0	4.8	5.8	7.3	9	10	10.3	12.3	5.4	6.4	8	9.5	9.6	11.3	11.8		28.0
30.0	4.4	5.3	6.8	8.3	9.4	9.4	10.9	5	5.9	7.5	8.7	8.7	10.4	10.4		30.0
32.0	4.1	4.9	6.3	7.7	8.7	8.7	9.6	4.6	5.5	7	8.1	8	9.6	9.1		32.0
34.0	3.8	4.6	5.8	7.2	7.9	7.5	8.6	4.3	5.2	6.5	7.5	7.4	8.9	8.0		34.0
36.0	3.5	4.3	5.3	6.7	7.4	7	7.7	4	4.8	6.1	6.9	6.8	8.3	7.1		36.0
38.0	3.2	4	4.9	6.3	6.9	6.4	6.8	3.7	4.5	5.7	6.4	6.3	6.6	6.2		38.0
40.0	3	3.7	4.7	5.8	6.4	6	6.0	3.4	4.2	5.4	5.9	5.8	5.9	5.5		40.0
42.0								3.3	4	4.9	5.5	5.4	5.2	4.9		42.0
44.0								3	3.8	4.6	5.1	5	4.6	4.2		44.0
46.0																46.0
48.0																48.0
50.0																50.0
52.0																52.0
54.0																54.0
56.0																56.0
58.0																58.0
60.0																60.0
62.0																62.0
64.0																64.0
66.0																66.0
68.0																68.0
70.0																70.0
Reeving	5							4							Reeving	
Hook	55t														Hook	
Telescoping mode	I	1	1	1	1	1	1	2	1	1	1	1	1	2	3	I
	II	1	1	1	1	2	3	2	1	1	1	2	3	3	2	II
	III	1	1	2	3	3	2	2	1	2	3	3	3	2	2	III
	IV	2	3	3	3	2	2	2	3	3	3	3	2	2	2	IV
	V	3	3	3	2	2	2	2	3	3	3	2	2	2	2	V
	VI	3	3	2	2	2	2	2	3	3	2	2	2	2	2	VI
	VII	3	2	2	2	2	2	2	3	2	2	2	2	2	2	VII

Table 8-2 Main boom

Unit: t

Outriggers fully extended, with 50 tons counterweight, counterweight moved backwards, over full range																
Working radius (m)	Boom length (m)														Working radius (m)	
	58.5	58.5	58.5	58.5	58.5	58.5★					63.4	63.4	63.4	63.4		63.4★
3.0																3.0
3.5																3.5
4.0																4.0
4.5																4.5
5.0																5.0
6.0																6.0
7.0																7.0
8.0																8.0
9.0																9.0
10.0																10.0
12.0																12.0
14.0	10.5	12.6	15.2	18	20.5	23				10.7	13.5	15.8	18	19	14.0	
16.0	9.6	11.5	14.3	16.6	19	21				10.1	12.5	15.1	17.7	18.7	16.0	
18.0	9	10.5	13	15	17.2	19.5				9.3	11.5	13.9	16.2	17.8	18.0	
20.0	8.2	9.6	12.1	13.6	14.8	17.8				8.7	10.5	12.8	14.5	16.3	20.0	
22.0	7.6	8.9	11.2	12	14.2	16.2				8.1	9.7	11.5	13.5	14.9	22.0	
24.0	7	8.2	10.3	11	12.8	14.8				7.5	9	10.5	12.3	13.8	24.0	
26.0	6.4	7.6	9.7	9.9	11.6	13.6				7	8.4	9.6	11.1	12.8	26.0	
28.0	5.9	7	9	9.1	10.6	12.4				6.5	7.9	8.8	10.2	11.7	28.0	
30.0	5.5	6.6	8.4	8.4	10	11.4				6	7.4	8.1	9.5	10.8	30.0	
32.0	5.1	6.1	7.9	7.7	9.2	9.0				5.7	6.9	7.5	8.6	10	32.0	
34.0	4.8	5.7	7.2	7	8.3	7.9				5.3	6.5	6.9	8	8.0	34.0	
36.0	4.5	5.4	6.7	6.5	7.7	6.9				5	6.1	6.4	7.4	7.0	36.0	
38.0	4.2	5.1	6.2	5.9	7.1	6.1				4.7	5.8	5.9	6.8	6.2	38.0	
40.0	4	4.8	5.8	5.5	6.5	5.4				4.2	5.4	5.4	6.3	5.5	40.0	
42.0	3.7	4.5	5.4	5	5.2	4.7				4.1	5.1	4.9	5.8	4.8	42.0	
44.0	3.5	4.3	5	4.7	4.6	4.1				3.9	4.8	4.6	4.8	4.1	44.0	
46.0	3.3	4	4.6	4	4.1	3.6				3.7	4.4	4.2	4.2	3.6	46.0	
48.0	3	3.7	4.3	3.9	3.6	3.1				3.5	4.1	3.9	3.8	3.2	48.0	
50.0	2.8	3.5	4	3.6	3.2	2.6				3.3	3.8	3.6	3.3	2.7	50.0	
52.0										3.0	3.5	3.3	2.9	2.1	52.0	
54.0										2.9	3.3	3	2.5	1.8	54.0	
56.0															56.0	
58.0															58.0	
60.0															60.0	
62.0															62.0	
64.0															64.0	
66.0															66.0	
68.0															68.0	
70.0															70.0	
Reeving	4										3					Reeving
Hook	55t										25t					Hook
Telescoping mode	I	1	1	1	1	2	3				1	1	1	2	3	Telescoping mode
	II	1	1	2	3	3	3				1	2	3	3	3	
	III	2	3	3	3	3	2				3	3	3	3	3	
	IV	3	3	3	3	2	2				3	3	3	3	2	
	V	3	3	3	2	2	2				3	3	3	2	2	
	VI	3	3	2	2	2	2				3	3	2	2	2	
	VII	3	2	2	2	2	2				3	2	2	2	2	

Table 8-2 Main boom

Unit: t

Outriggers fully extended, with 50 tons counterweight, counterweight moved backwards, over full range																
Working radius (m)	Boom length (m)														Working radius (m)	
	68.3	68.3	68.3	68.3★		73.2	73.2	73.2★		78.1	78.1★	83★	86.2★	88★		
6.0															6.0	
7.0															7.0	
8.0															8.0	
9.0															9.0	
10.0															10.0	
12.0															12.0	
14.0															14.0	
16.0	10.5	13	14.5	15.5											16.0	
18.0	9.9	12.2	14	15		10	10.8	11.5							18.0	
20.0	9.3	11.3	13.5	14.5		9.7	10.5	11.2		8.2	9				20.0	
22.0	8.7	10.6	12.6	13.6		9.2	10.1	10.8		8	8.7	7.1			22.0	
24.0	8.2	9.8	11.5	12.5		8.7	9.7	10.4		7.8	8.4	7	6	5.7	24.0	
26.0	7.6	9.2	10.6	11.5		8.2	9.3	10		7.6	8.2	6.8	5.8	5.6	26.0	
28.0	7	8.6	9.7	10.8		7.8	8.9	9.6		7.4	8	6.6	5.7	5.5	28.0	
30.0	6.6	7.9	8.9	10		7.3	8.5	9.2		7.2	7.8	6.4	5.6	5.4	30.0	
32.0	6.2	7.3	8.3	9.3		6.9	8	8.6		7	7.5	6.2	5.5	5.3	32.0	
34.0	5.8	6.7	7.7	8.6		6.5	7.4	8		6.8	7.2	6	5.4	5.2	34.0	
36.0	5.5	6.2	7	8		6.1	6.8	7.4		6.5	6.9	5.9	5.3	5.1	36.0	
38.0	5.2	5.7	6.5	6.5		5.6	6.3	6.9		6.1	6.5	5.7	5.2	5	38.0	
40.0	4.9	5.3	6	5.7		5.2	5.8	6.4		5.7	6.1	5.6	5.1	4.9	40.0	
42.0	4.6	4.9	5.6	5.0		4.8	5.4	5.8		5.2	5.6	5.4	4.9	4.7	42.0	
44.0	4.4	4.5	5.1	4.4		4.5	5	4.8		4.8	5.2	5.2	4.8	4.6	44.0	
46.0	4.2	4.2	4.8	3.9		4.1	4.6	4.1		4.5	4.8	4.9	4.5	4.3	46.0	
48.0	4	3.8	4.5	3.3		3.8	4.3	3.7		4.1	4.4	4.6	4.3	4.1	48.0	
50.0	3.8	3.6	3.6	2.9		3.6	4	3.2		3.9	3.6	4.3	4.1	3.9	50.0	
52.0	3.6	3.3	3.2	2.5		3.3	3.7	2.8		3.7	3.2	4	3.9	3.7	52.0	
54.0	3.3	3	2.8	2.0		3	3.4	2.4		3.4	2.8	3.2	3.6	3.4	54.0	
56.0	3.1	2.8	2.4	1.6		2.8	3.1	1.9		3.2	2.3	2.8	3.0	3.2	56.0	
58.0	2.9	2.6	2.0	1.3		2.6	2.4	1.6		3	2.0	2.4	2.6	2.5	58.0	
60.0	2.6	2.4	1.6			2.4	2.0	1.3		2.8	1.6	2.0	2.1	2.0	60.0	
62.0						2.3	1.7			2.0	1.4	1.7	1.9	1.8	62.0	
64.0						2	1.4			1.8	1.1	1.4	1.6	1.5	64.0	
66.0										1.5		1.2	1.4	1.3	66.0	
68.0										1.4			1.1		68.0	
70.0										1.1					70.0	
72.0															72.0	
74.0															74.0	
Reeving	3					3					2		2	2	2	Reeving
Hook	25t														Hook	
Telescoping mode	I	1	1	2	3		1	2	3		2	3	3	3	4	I
	II	2	3	3	3		3	3	3		3	3	3	3	4	II
	III	3	3	3	3		3	3	3		3	3	3	4	4	III
	IV	3	3	3	3		3	3	3		3	3	3	4	4	IV
	V	3	3	3	2		3	3	3		3	3	3	4	4	V
	VI	3	3	2	2		3	3	2		3	3	3	4	4	VI
	VII	3	2	2	2		3	2	2		3	2	3	4	4	VII
																Telescoping mode

Table 8-3 Main boom

Unit: t

Outriggers fully extended, with 45 tons counterweight, counterweight moved backwards, over full range																
Working radius (m)	Boom length (m)														Working radius (m)	
	14.4 ★	19.3	19.3	19.3	19.3	19.3	19.3	19.3 ★	24.2	24.2	24.2	24.2	24.2	24.2		24.2 ★
3.0	120	48.5	55	72	75	95	110								3.0	
3.5	114	46	55	72	75	95	105	23	46	62	70	75	90	90	3.5	
4.0	104	43.5	55	72	75	95	98	22	44	58	67	72	84	85	4.0	
4.5	98	41.7	55	72	75	92	93	21	41	55	64	70	79	80	4.5	
5.0	93	39.5	55	70	75	84	86	20	39	52	60	67	73	76	5.0	
6.0	78	36.5	49	63	73	75	76	17.5	34	45	53	60	65	70	6.0	
7.0	68	33.5	44.5	57.5	66	66	67	16	31	41	47	62	62	64	7.0	
8.0	55	31.5	40.5	53	55	55	55	14.8	28.5	38	44	56	55	54	8.0	
9.0	49	29.5	37.5	48.5	50	49	49	13.7	26.2	35	40	50	49	48	9.0	
10.0	44	27.5	34	45	43	42.5	44	12.8	24.5	32.5	37	44	43	43	10.0	
12.0		24.5	30	38	39	38.5	38	10.9	20.5	27.5	31	40.5	40	38	12.0	
14.0		22.5	26.5	35.5	33.2	32.5	32	10	18.5	24	27.5	33	32.3	30.8	14.0	
16.0								9	16.5	22	25	26.8	25.8	24.3	16.0	
18.0								8.2	15	20	23.2	22.1	21.1	19.6	18.0	
20.0															20.0	
22.0															22.0	
24.0															24.0	
26.0															26.0	
28.0															28.0	
30.0															30.0	
32.0															32.0	
34.0															34.0	
36.0															36.0	
38.0															38.0	
40.0															40.0	
42.0															42.0	
44.0															44.0	
46.0															46.0	
48.0															48.0	
50.0															50.0	
52.0															52.0	
54.0															54.0	
56.0															56.0	
58.0															58.0	
60.0															60.0	
62.0															62.0	
64.0															64.0	
66.0															66.0	
68.0															68.0	
70.0															70.0	
Reeving	14	13						13						Reeving		
Hook	110t														Hook	
Telescoping mode	I	1	1	1	1	1	1	1	1	1	1	1	1	1	2	Telescoping mode
	II	1	1	1	1	1	1	2	1	1	1	1	1	2	2	
	III	1	1	1	1	1	2	1	1	1	1	1	2	2	1	
	IV	1	1	1	1	2	1	1	1	1	1	2	2	1	1	
	V	1	1	1	2	1	1	1	1	1	2	2	1	1	1	
	VI	1	1	2	1	1	1	1	1	1	2	2	1	1	1	
	VII	1	2	1	1	1	1	1	3	2	1	1	1	1	1	

Table 8-3 Main boom

Unit: t

Outriggers fully extended, with 45 tons counterweight, counterweight moved backwards, over full range																
Working radius (m)	Boom length (m)														Working radius (m)	
	29.1	29.1	29.1	29.1	29.1	29.1	29.1★	34	34	34	34	34	34	34★		
3.0															3.0	
3.5															3.5	
4.0															4.0	
4.5	22	19	45	53	68	80	82								4.5	
5.0	21	18.2	43	51.5	65	78	80								5.0	
6.0	19.3	16.2	38	45.5	60	70	72	13.5	17.5	27	40.5	50	65	68	6.0	
7.0	18.2	14.5	35	41	55	63	65	12.2	16.1	25	37	46	60	63	7.0	
8.0	17	13.1	32	37.5	49	57	57	11.2	14.8	23	34	42	55	58	8.0	
9.0	15.7	12.1	30	34.5	46.5	51	51	10.3	13.7	21	31.5	39	51	53	9.0	
10.0	14.7	11.2	27.6	32	43	50	45	9.6	12.5	19.6	29	36.5	47	49	10.0	
12.0	12.7	9.6	24	27	37	41	39.5	8	10.8	16.8	24.5	30.8	39	42	12.0	
14.0	11.4	8.3	21	24	33	32.5	31.4	7.1	9.6	14.9	22	28.5	33.5	32.2	14.0	
16.0	10.5	7.4	18.6	21.5	29	26.6	24.9	6.3	8.5	13	19.5	25.5	27.4	25.7	16.0	
18.0	9.6	6.6	17	19.5	23.0	21.8	20.2	5.7	7.7	11.8	17.7	23	22.6	21.0	18.0	
20.0	8.8	6	15.4	17.6	19.4	18.2	16.7	5.1	7.1	10.7	16	21	19.0	17.4	20.0	
22.0	8.1	5.4	14.2	16.2	16.5	15.4	13.9	4.6	6.4	9.9	14.7	19	16.1	14.6	22.0	
24.0								4.2	5.9	9.1	13.6	15.0	13.9	12.3	24.0	
26.0								3.8	5.4	8.4	12.5	13.1	12.0	10.4	26.0	
28.0															28.0	
30.0															30.0	
32.0															32.0	
34.0															34.0	
36.0															36.0	
38.0															38.0	
40.0															40.0	
42.0															42.0	
44.0															44.0	
46.0															46.0	
48.0															48.0	
50.0															50.0	
52.0															52.0	
54.0															54.0	
56.0															56.0	
58.0															58.0	
60.0															60.0	
62.0															62.0	
64.0															64.0	
66.0															66.0	
68.0															68.0	
70.0															70.0	
Reeving	11							9							Reeving	
Hook	90t														Hook	
Telescoping mode	I	1	1	1	1	1	1	2	1	1	1	1	1	1	2	I
	II	1	1	1	1	1	2	2	1	1	1	1	1	2	2	II
	III	1	1	1	1	2	2	2	1	1	1	1	2	2	2	III
	IV	1	1	1	2	2	2	1	1	1	1	2	2	2	2	IV
	V	1	1	2	2	2	1	1	1	2	3	2	2	2	1	V
	VI	2	3	2	2	1	1	1	3	3	2	2	2	1	1	VI
	VII	3	2	2	1	1	1	1	3	2	2	2	1	1	1	VII

Table 8-3 Main boom

Unit: t

Outriggers fully extended, with 45 tons counterweight, counterweight moved backwards, over full range																
Working radius (m)	Boom length (m)															Working radius (m)
	38.9	38.9	38.9	38.9	38.9	38.9	38.9★	43.8	43.8	43.8	43.8	43.8	43.8	43.8★		
3.0																3.0
3.5																3.5
4.0																4.0
4.5																4.5
5.0																5.0
6.0																6.0
7.0	13.4	17.3	19	24	40	51	60									7.0
8.0	12.3	16.1	17.5	22.3	37.2	47.5	57									8.0
9.0	11.5	14.9	16.1	20.6	34.5	44	53	12	14.7	17.5	22.1	27.5	38	48		9.0
10.0	10.7	13.8	14.9	19	32.5	41.5	50	11.5	13.7	16.2	20.7	25.8	36	45.5		10.0
12.0	9.1	12	12.7	16.2	27.5	35	41	9.9	11.5	14	17.6	22.3	31.7	40		12.0
14.0	8	10.8	11.2	14.2	25	32	33.2	8.8	10	12.5	15.7	19.5	28.2	36		14.0
16.0	7.1	9.7	10	12.5	22.5	28.5	26.6	7.9	9	11	13.8	17.3	25.3	27.5		16.0
18.0	6.4	8.8	9	11.3	20.2	23.4	21.8	7.2	8	10	12.5	15.5	23.1	22.7		18.0
20.0	5.9	8	8	10.2	18.5	19.8	18.2	6.6	7.3	9	11.3	14	21	19.0		20.0
22.0	5.3	7.2	7.3	9.3	16.8	16.9	15.4	6	6.6	8.2	10.2	12.8	19.2	16.1		22.0
24.0	4.9	6.8	6.7	8.5	15.5	14.6	13.1	5.6	6	7.6	9.4	11.7	15.4	13.9		24.0
26.0	4.6	6.3	6.1	7.8	14.5	12.7	11.3	5.2	5.5	6.9	8.6	10.7	13.5	12.0		26.0
28.0	4.2	5.9	5.6	7.2	13.6	11.2	9.6	4.8	5	6.4	7.9	9.9	11.9	10.4		28.0
30.0	3.9	5.5	5.1	6.6	11.0	9.8	8.3	4.5	4.6	5.9	7.3	9.2	10.5	9.1		30.0
32.0	3.6	5.1	4.7	6	9.7	8.6	7.2	4.2	4.3	5.5	6.8	7.6	9.4	7.9		32.0
34.0								3.9	3.9	5	6.3	8	8.4	6.9		34.0
36.0								3.6	3.6	4.7	5.9	7.5	7.5	6.0		36.0
38.0																38.0
40.0																40.0
42.0																42.0
44.0																44.0
46.0																46.0
48.0																48.0
50.0																50.0
52.0																52.0
54.0																54.0
56.0																56.0
58.0																58.0
60.0																60.0
62.0																62.0
64.0																64.0
66.0																66.0
68.0																68.0
70.0																70.0
Reeving	8							6							Reeving	
Hook	90t							55t							Hook	
Telescoping mode	I	1	1	1	1	1	1	2	1	1	1	1	1	1	2	I
	II	1	1	1	1	1	2	2	1	1	1	1	1	2	2	II
	III	1	1	1	1	2	2	2	1	1	1	2	3	2	2	III
	IV	1	1	2	3	2	2	2	1	2	3	3	2	2	2	IV
	V	2	3	3	2	2	2	2	3	3	3	2	2	2	2	V
	VI	3	3	2	2	2	2	1	3	3	2	2	2	2	2	VI
	VII	3	2	2	2	2	1	1	3	2	2	2	2	2	1	VII

Table 8-3 Main boom

Unit: t

Outriggers fully extended, with 45 tons counterweight, counterweight moved backwards, over full range																
Working radius (m)	Boom length (m)														Working radius (m)	
	48.7	48.7	48.7	48.7	48.7	48.7	48.7★	53.6	53.6	53.6	53.6	53.6	53.6	53.6		
3.0															3.0	
3.5															3.5	
4.0															4.0	
4.5															4.5	
5.0															5.0	
6.0															6.0	
7.0															7.0	
8.0															8.0	
9.0															9.0	
10.0	12.2	14.7	17.5	22	26.3	27	39								10.0	
12.0	10.7	12.5	15	19.2	22.8	23.5	35.2	11	13.2	15.8	20.5	21.5	25	30	12.0	
14.0	9.6	11.2	13.3	17	20	21	32.5	10	12	14.3	18.6	19.3	22	26.5	14.0	
16.0	8.7	10	12	15.1	17.6	18.5	29.5	9.2	10.9	13	16.8	17	20	23.7	16.0	
18.0	7.7	9	11	13.7	16	16.5	23.6	8.3	9.7	11.8	15	15.3	18	21.4	18.0	
20.0	6.9	8.1	10	12.5	14.3	14.8	19.9	7.6	8.9	10.8	13.6	14	16.5	19.5	20.0	
22.0	6.3	7.3	9.1	11.4	13	13.5	17.0	7	8.2	10	12.5	12.6	14.9	17.5	22.0	
24.0	5.8	6.8	8.5	10.5	11.7	12.3	14.7	6.4	7.5	9.3	11.3	11.5	13.6	14.1	24.0	
26.0	5.3	6.3	7.9	9.7	10.9	11.2	12.8	5.9	6.9	8.6	10.4	10.5	12.4	12.2	26.0	
28.0	4.8	5.8	7.3	9	10	10.3	11.2	5.4	6.4	8	9.5	9.6	11.3	10.6	28.0	
30.0	4.4	5.3	6.8	8.3	9.4	9.4	9.8	5	5.9	7.5	8.7	8.7	10.4	9.3	30.0	
32.0	4.1	4.9	6.3	7.7	8.7	8.7	8.6	4.6	5.5	7	8.1	8	8.5	8.1	32.0	
34.0	3.8	4.6	5.8	7.2	7.9	7.5	7.7	4.3	5.2	6.5	7.5	7.4	7.5	7.1	34.0	
36.0	3.5	4.3	5.3	6.7	7.4	7	6.8	4	4.8	6.1	6.9	6.8	6.6	6.2	36.0	
38.0	3.2	4	4.9	6.3	6.9	6.4	5.9	3.7	4.5	5.7	6.4	6.3	5.8	5.4	38.0	
40.0	3	3.7	4.7	5.8	6.4	6	5.3	3.4	4.2	5.4	5.9	5.8	5.0	4.8	40.0	
42.0								3.3	4	4.9	5.5	5.4	4.5	4.1	42.0	
44.0								3	3.8	4.6	5.1	4.4	3.9	3.5	44.0	
46.0															46.0	
48.0															48.0	
50.0															50.0	
52.0															52.0	
54.0															54.0	
56.0															56.0	
58.0															58.0	
60.0															60.0	
62.0															62.0	
64.0															64.0	
66.0															66.0	
68.0															68.0	
70.0															70.0	
Reeving	5							4							Reeving	
Hook	55t														Hook	
Telescoping mode	I	1	1	1	1	1	1	2	1	1	1	1	1	2	3	I
	II	1	1	1	1	2	3	2	1	1	1	2	3	3	2	II
	III	1	1	2	3	3	2	2	1	2	3	3	3	2	2	III
	IV	2	3	3	3	2	2	2	3	3	3	3	2	2	2	IV
	V	3	3	3	2	2	2	2	3	3	3	2	2	2	2	V
	VI	3	3	2	2	2	2	2	3	3	2	2	2	2	2	VI
	VII	3	2	2	2	2	2	2	3	2	2	2	2	2	2	VII

Table 8-3 Main boom

Unit: t

Outriggers fully extended, with 45 tons counterweight, counterweight moved backwards, over full range																
Working radius (m)	Boom length (m)														Working radius (m)	
	58.5	58.5	58.5	58.5	58.5	58.5★					63.4	63.4	63.4	63.4		63.4★
3.0																3.0
3.5																3.5
4.0																4.0
4.5																4.5
5.0																5.0
6.0																6.0
7.0																7.0
8.0																8.0
9.0																9.0
10.0																10.0
12.0																12.0
14.0	10.5	12.6	15.2	18	20.5	23				10.7	13.5	15.8	18	19	14.0	
16.0	9.6	11.5	14.3	16.6	19	21				10.1	12.5	15.1	17.7	18.7	16.0	
18.0	9	10.5	13	15	17.2	19.5				9.3	11.5	13.9	16.2	17.8	18.0	
20.0	8.2	9.6	12.1	13.6	14.8	17.8				8.7	10.5	12.8	14.5	16.3	20.0	
22.0	7.6	8.9	11.2	12	14.2	16.2				8.1	9.7	11.5	13.5	14.9	22.0	
24.0	7	8.2	10.3	11	12.8	14.8				7.5	9	10.5	12.3	13.8	24.0	
26.0	6.4	7.6	9.7	9.9	11.6	12.2				7	8.4	9.6	11.1	12.8	26.0	
28.0	5.9	7	9	9.1	10.6	10.5				6.5	7.9	8.8	10.2	11.7	28.0	
30.0	5.5	6.6	8.4	8.4	10	9.2				6	7.4	8.1	9.5	9.3	30.0	
32.0	5.1	6.1	7.9	7.7	9.2	8.0				5.7	6.9	7.5	8.6	8.1	32.0	
34.0	4.8	5.7	7.2	7	8.3	6.9				5.3	6.5	6.9	8	7.1	34.0	
36.0	4.5	5.4	6.7	6.5	6.6	6.1				5	6.1	6.4	7.4	6.2	36.0	
38.0	4.2	5.1	6.2	5.9	5.9	5.3				4.7	5.8	5.9	6.0	5.4	38.0	
40.0	4	4.8	5.8	5.5	5.1	4.6				4.2	5.4	5.4	5.3	4.7	40.0	
42.0	3.7	4.5	5.4	5	4.5	4.0				4.1	5.1	4.9	4.7	4.1	42.0	
44.0	3.5	4.3	5	4.7	4.0	3.4				3.9	4.8	4.6	4.1	3.5	44.0	
46.0	3.3	4	4.6	4	3.4	2.9				3.7	4.4	4.2	3.6	3.0	46.0	
48.0	3	3.7	4.3	3.9	3.0	2.4				3.5	4.1	3.9	3.2	2.5	48.0	
50.0	2.8	3.5	4	3.2	2.5	1.9				3.3	3.8	3.6	2.7	2.0	50.0	
52.0										3.0	3.5	3.3	2.3	1.6	52.0	
54.0										2.9	3.3	3	1.8	1.3	54.0	
56.0															56.0	
58.0															58.0	
60.0															60.0	
62.0															62.0	
64.0															64.0	
66.0															66.0	
68.0															68.0	
70.0															70.0	
Reeving	4										3					Reevin
Hook	55t										25t					Hook
Telescoping mode	I	1	1	1	1	2	3				1	1	1	2	3	I
	II	1	1	2	3	3	3				1	2	3	3	3	II
	III	2	3	3	3	3	2				3	3	3	3	3	III
	IV	3	3	3	3	2	2				3	3	3	3	2	IV
	V	3	3	3	2	2	2				3	3	3	2	2	V
	VI	3	3	2	2	2	2				3	3	2	2	2	VI
	VII	3	2	2	2	2	2				3	2	2	2	2	VII



Table 8-3 Main boom

Unit: t

Outriggers fully extended, with 45 tons counterweight, counterweight moved backwards, over full range																
Working radius (m)	Boom length (m)														Working radius (m)	
	68.3	68.3	68.3	68.3★		73.2	73.2	73.2★		78.1	78.1★	83★	86.2★	88★		
6.0															6.0	
7.0															7.0	
8.0															8.0	
9.0															9.0	
10.0															10.0	
12.0															12.0	
14.0															14.0	
16.0	10.5	13	14.5	15.5											16.0	
18.0	9.9	12.2	14	15		10	10.8	11.5							18.0	
20.0	9.3	11.3	13.5	14.5		9.7	10.5	11.2		8.2	9				20.0	
22.0	8.7	10.6	12.6	13.6		9.2	10.1	10.8		8	8.7	7.1			22.0	
24.0	8.2	9.8	11.5	12.5		8.7	9.7	10.4		7.8	8.4	7	6	5.7	24.0	
26.0	7.6	9.2	10.6	11.5		8.2	9.3	10		7.6	8.2	6.8	5.8	5.6	26.0	
28.0	7	8.6	9.7	10.8		7.8	8.9	9.6		7.4	8	6.6	5.7	5.5	28.0	
30.0	6.6	7.9	8.9	10		7.3	8.5	9.2		7.2	7.8	6.4	5.6	5.4	30.0	
32.0	6.2	7.3	8.3	9.3		6.9	8	8.6		7	7.5	6.2	5.5	5.3	32.0	
34.0	5.8	6.7	7.7	7.3		6.5	7.4	8		6.8	7.2	6	5.4	5.2	34.0	
36.0	5.5	6.2	7	6.4		6.1	6.8	7.4		6.5	6.9	5.9	5.3	5.1	36.0	
38.0	5.2	5.7	6.5	5.7		5.6	6.3	5.9		6.1	6.5	5.7	5.2	5	38.0	
40.0	4.9	5.3	6	5.0		5.2	5.8	5.2		5.7	6.1	5.6	5.1	4.9	40.0	
42.0	4.6	4.9	5.6	4.3		4.8	5.4	4.6		5.2	5.6	5.4	4.9	4.7	42.0	
44.0	4.4	4.5	4.4	3.7		4.5	5	4.1		4.8	4.4	5.2	4.8	4.6	44.0	
46.0	4.2	4.2	3.9	3.2		4.1	4.6	3.5		4.5	3.9	4.3	4.5	4.3	46.0	
48.0	4	3.8	3.4	2.7		3.8	3.8	3.1		4.1	3.4	3.9	4.3	4.1	48.0	
50.0	3.8	3.6	3.0	2.1		3.6	3.3	2.6		3.9	3.0	3.4	3.5	3.4	50.0	
52.0	3.6	3.3	2.6	1.8		3.3	3.0	2.0		3.7	2.5	3.0	3.2	3.1	52.0	
54.0	3.3	3	2.1	1.4		3	2.5	1.7		3.0	2.0	2.6	2.7	2.6	54.0	
56.0	3.1	2.8	1.8	1.1		2.8	2.1	1.4		2.6	1.7	2.1	2.3	2.1	56.0	
58.0	2.9	2.6	1.4			2.6	1.8	1.1		2.1	1.4	1.8	2.0	1.9	58.0	
60.0	2.6	2.0	1.2			2.4	1.5			1.9	1.2	1.5	1.6	1.5	60.0	
62.0						2.3	1.3			1.6		1.3	1.4	1.3	62.0	
64.0						2				1.4			1.1		64.0	
66.0										1.1					66.0	
68.0															68.0	
70.0															70.0	
72.0															72.0	
74.0															74.0	
Reeving	3					3					2		2	2	2	Reeving
Hook	25t														Hook	
Telescoping mode	I	1	1	2	3		1	2	3		2	3	3	3	4	I
	II	2	3	3	3		3	3	3		3	3	3	3	4	II
	III	3	3	3	3		3	3	3		3	3	3	4	4	III
	IV	3	3	3	3		3	3	3		3	3	3	4	4	IV
	V	3	3	3	2		3	3	3		3	3	3	4	4	V
	VI	3	3	2	2		3	3	2		3	3	3	4	4	VI
	VII	3	2	2	2		3	2	2		3	2	3	4	4	VII

Table 8-4 Main boom

Unit: t

Outriggers fully extended, with 36 tons counterweight, counterweight moved backwards, over full range																
Working radius (m)	Boom length (m)														Working radius (m)	
	14.4 ★	19.3	19.3	19.3	19.3	19.3	19.3	19.3 ★	24.2	24.2	24.2	24.2	24.2	24.2		24.2 ★
3.0	118	48.5	55	72	75	95	110								3.0	
3.5	112	46	55	72	75	95	102	23	46	62	70	75	90	90	3.5	
4.0	102	43.5	55	72	75	93	95	22	44	58	67	72	84	85	4.0	
4.5	96	41.7	55	72	75	87	90	21	41	55	64	70	79	80	4.5	
5.0	91	39.5	55	70	75	80	83	20	39	52	60	67	73	76	5.0	
6.0	75	36.5	49	63	71	71	73	17.5	34	45	53	60	65	70	6.0	
7.0	64	33.5	44.5	57.5	63	63	64	16	31	41	47	62	62	64	7.0	
8.0	52	31.5	40.5	53	53	52	52	14.8	28.5	38	44	54	54	53	8.0	
9.0	46	29.5	37.5	46.5	46	45	45	13.7	26.2	35	40	46	46	45	9.0	
10.0	41	27.5	34	41	40	39.5	40	12.8	24.5	32.5	37	41	41	40	10.0	
12.0		24.5	30	38	37.0	36.3	35.6	10.9	20.5	27.5	31	38	36.1	34.4	12.0	
14.0		22.5	26.5	29.0	28.4	27.7	27.0	10	18.5	24	27.5	28.6	27.5	26.0	14.0	
16.0								9	16.5	22	25	22.9	21.8	20.3	16.0	
18.0								8.2	15	20	19.5	18.6	17.6	16.2	18.0	
20.0															20.0	
22.0															22.0	
24.0															24.0	
26.0															26.0	
28.0															28.0	
30.0															30.0	
32.0															32.0	
34.0															34.0	
36.0															36.0	
38.0															38.0	
40.0															40.0	
42.0															42.0	
44.0															44.0	
46.0															46.0	
48.0															48.0	
50.0															50.0	
52.0															52.0	
54.0															54.0	
56.0															56.0	
58.0															58.0	
60.0															60.0	
62.0															62.0	
64.0															64.0	
66.0															66.0	
68.0															68.0	
70.0															70.0	
Reeving	14	13						13						Reeving		
Hook	110t														Hook	
Telescoping mode	I	1	1	1	1	1	1	1	1	1	1	1	1	1	2	Telescoping mode
	II	1	1	1	1	1	1	2	1	1	1	1	1	2	2	
	III	1	1	1	1	1	2	1	1	1	1	1	2	2	1	
	IV	1	1	1	1	2	1	1	1	1	1	2	2	1	1	
	V	1	1	1	2	1	1	1	1	1	2	2	1	1	1	
	VI	1	1	2	1	1	1	1	1	1	2	2	1	1	1	
	VII	1	2	1	1	1	1	1	3	2	1	1	1	1	1	

Table 8-4 Main boom

Unit: t

Outriggers fully extended, with 36 tons counterweight, counterweight moved backwards, over full range																
Working radius (m)	Boom length (m)														Working radius (m)	
	29.1	29.1	29.1	29.1	29.1	29.1	29.1★	34	34	34	34	34	34	34★		
3.0															3.0	
3.5															3.5	
4.0															4.0	
4.5	22	19	45	53	68	80	82								4.5	
5.0	21	18.2	43	51.5	65	78	80								5.0	
6.0	19.3	16.2	38	45.5	60	70	72	13.5	17.5	27	40.5	50	65	68	6.0	
7.0	18.2	14.5	35	41	55	63	65	12.2	16.1	25	37	46	60	63	7.0	
8.0	17	13.1	32	37.5	49	54	54	11.2	14.8	23	34	42	55	57	8.0	
9.0	15.7	12.1	30	34.5	46.5	48	47	10.3	13.7	21	31.5	39	50	50	9.0	
10.0	14.7	11.2	27.6	32	43	43	42	9.6	12.5	19.6	29	36.5	45	44	10.0	
12.0	12.7	9.6	24	27	37	36.9	35.1	8	10.8	16.8	24.5	30.8	39	36.0	12.0	
14.0	11.4	8.3	21	24	29.6	28.4	26.6	7.1	9.6	14.9	22	28.5	29.3	27.5	14.0	
16.0	10.5	7.4	18.6	21.5	23.8	22.5	20.9	6.3	8.5	13	19.5	25.5	23.4	21.7	16.0	
18.0	9.6	6.6	17	19.5	19.5	18.4	16.7	5.7	7.7	11.8	17.7	20.4	19.2	17.5	18.0	
20.0	8.8	6	15.4	17.6	16.3	15.2	13.6	5.1	7.1	10.7	16	17.2	15.9	14.3	20.0	
22.0	8.1	5.4	14.2	16.2	13.8	12.7	11.2	4.6	6.4	9.9	14.7	14.6	13.4	11.9	22.0	
24.0								4.2	5.9	9.1	13.6	12.6	11.4	9.9	24.0	
26.0								3.8	5.4	8.4	12.5	10.9	9.7	8.3	26.0	
28.0															28.0	
30.0															30.0	
32.0															32.0	
34.0															34.0	
36.0															36.0	
38.0															38.0	
40.0															40.0	
42.0															42.0	
44.0															44.0	
46.0															46.0	
48.0															48.0	
50.0															50.0	
52.0															52.0	
54.0															54.0	
56.0															56.0	
58.0															58.0	
60.0															60.0	
62.0															62.0	
64.0															64.0	
66.0															66.0	
68.0															68.0	
70.0															70.0	
Reeving	11							9							Reeving	
Hook	90t														Hook	
Telescoping mode	I	1	1	1	1	1	1	2	1	1	1	1	1	1	2	I
	II	1	1	1	1	1	2	2	1	1	1	1	1	2	2	II
	III	1	1	1	1	2	2	2	1	1	1	1	2	2	2	III
	IV	1	1	1	2	2	2	1	1	1	1	2	2	2	2	IV
	V	1	1	2	2	2	1	1	1	2	3	2	2	2	1	V
	VI	2	3	2	2	1	1	1	3	3	2	2	2	1	1	VI
	VII	3	2	2	1	1	1	1	3	2	2	2	1	1	1	VII

Table 8-4 Main boom

Unit: t

Outriggers fully extended, with 36 tons counterweight, counterweight moved backwards, over full range																
Working radius (m)	Boom length (m)														Working radius (m)	
	38.9	38.9	38.9	38.9	38.9	38.9	38.9★	43.8	43.8	43.8	43.8	43.8	43.8	43.8★		
3.0																3.0
3.5																3.5
4.0																4.0
4.5																4.5
5.0																5.0
6.0																6.0
7.0	13.4	17.3	19	24	40	51	60									7.0
8.0	12.3	16.1	17.5	22.3	37.2	47.5	57									8.0
9.0	11.5	14.9	16.1	20.6	34.5	44	52	12	14.7	17.5	22.1	27.5	38	48		9.0
10.0	10.7	13.8	14.9	19	32.5	41.5	46	11.5	13.7	16.2	20.7	25.8	36	45.5		10.0
12.0	9.1	12	12.7	16.2	27.5	35	37	9.9	11.5	14	17.6	22.3	31.7	38		12.0
14.0	8	10.8	11.2	14.2	25	32	28.4	8.8	10	12.5	15.7	19.5	28.2	29.3		14.0
16.0	7.1	9.7	10	12.5	22.5	24.3	22.5	7.9	9	11	13.8	17.3	25.3	23.4		16.0
18.0	6.4	8.8	9	11.3	20.2	20.0	18.4	7.2	8	10	12.5	15.5	23.1	19.2		18.0
20.0	5.9	8	8	10.2	18.5	16.7	15.1	6.6	7.3	9	11.3	14	17.6	15.9		20.0
22.0	5.3	7.2	7.3	9.3	16.8	14.2	12.6	6	6.6	8.2	10.2	12.8	15.0	13.4		22.0
24.0	4.9	6.8	6.7	8.5	13.4	12.2	10.6	5.6	6	7.6	9.4	11.7	13.0	11.4		24.0
26.0	4.6	6.3	6.1	7.8	11.7	10.5	9.0	5.2	5.5	6.9	8.6	10.7	11.3	9.7		26.0
28.0	4.2	5.9	5.6	7.2	10.3	9.1	7.7	4.8	5	6.4	7.9	9.9	9.8	8.4		28.0
30.0	3.9	5.5	5.1	6.6	9.1	7.9	6.5	4.5	4.6	5.9	7.3	9.2	8.6	7.2		30.0
32.0	3.6	5.1	4.7	6	8.0	6.9	5.4	4.2	4.3	5.5	6.8	7.6	7.7	6.2		32.0
34.0								3.9	3.9	5	6.3	7.0	6.8	5.3		34.0
36.0								3.6	3.6	4.7	5.9	6.2	5.9	4.5		36.0
38.0																38.0
40.0																40.0
42.0																42.0
44.0																44.0
46.0																46.0
48.0																48.0
50.0																50.0
52.0																52.0
54.0																54.0
56.0																56.0
58.0																58.0
60.0																60.0
62.0																62.0
64.0																64.0
66.0																66.0
68.0																68.0
70.0																70.0
Reeving	8							6							Reeving	
Hook	90t							55t							Hook	
Telescoping mode	I	1	1	1	1	1	1	2	1	1	1	1	1	1	2	I
	II	1	1	1	1	1	2	2	1	1	1	1	1	2	2	II
	III	1	1	1	1	2	2	2	1	1	1	2	3	2	2	III
	IV	1	1	2	3	2	2	2	1	2	3	3	2	2	2	IV
	V	2	3	3	2	2	2	2	3	3	3	2	2	2	2	V
	VI	3	3	2	2	2	2	1	3	3	2	2	2	2	2	VI
	VII	3	2	2	2	2	1	1	3	2	2	2	2	2	1	VII

Table 8-4 Main boom

Unit: t

Outriggers fully extended, with 36 tons counterweight, counterweight moved backwards, over full range																
Working radius (m)	Boom length (m)														Working radius (m)	
	48.7	48.7	48.7	48.7	48.7	48.7	48.7★	53.6	53.6	53.6	53.6	53.6	53.6	53.6		
3.0																3.0
3.5																3.5
4.0																4.0
4.5																4.5
5.0																5.0
6.0																6.0
7.0																7.0
8.0																8.0
9.0																9.0
10.0	12.2	14.7	17.5	22	26.3	27	39									10.0
12.0	10.7	12.5	15	19.2	22.8	23.5	35.2	11	13.2	15.8	20.5	21.5	25	30		12.0
14.0	9.6	11.2	13.3	17	20	21	31	10	12	14.3	18.6	19.3	22	26.5		14.0
16.0	8.7	10	12	15.1	17.6	18.5	24.4	9.2	10.9	13	16.8	17	20	23.7		16.0
18.0	7.7	9	11	13.7	16	16.5	20.1	8.3	9.7	11.8	15	15.3	18	21		18.0
20.0	6.9	8.1	10	12.5	14.3	14.8	16.8	7.6	8.9	10.8	13.6	14	16.5	16.2		20.0
22.0	6.3	7.3	9.1	11.4	13	13.5	14.2	7	8.2	10	12.5	12.6	14.9	13.7		22.0
24.0	5.8	6.8	8.5	10.5	11.7	12.3	12.2	6.4	7.5	9.3	11.3	11.5	12.1	11.6		24.0
26.0	5.3	6.3	7.9	9.7	10.9	11.2	10.5	5.9	6.9	8.6	10.4	10.5	10.4	9.9		26.0
28.0	4.8	5.8	7.3	9	10	10.3	9.1	5.4	6.4	8	9.5	9.6	8.9	8.6		28.0
30.0	4.4	5.3	6.8	8.3	9.4	8.4	7.9	5	5.9	7.5	8.7	8.7	7.7	7.4		30.0
32.0	4.1	4.9	6.3	7.7	7.6	7.3	6.9	4.6	5.5	7	8.1	8	6.7	6.3		32.0
34.0	3.8	4.6	5.8	7.2	6.7	6.4	6.0	4.3	5.2	6.5	7.5	6.4	5.8	5.4		34.0
36.0	3.5	4.3	5.3	6.7	5.9	5.6	5.2	4	4.8	6.1	6.0	5.6	5.0	4.7		36.0
38.0	3.2	4	4.9	5.6	5.1	5.0	4.5	3.7	4.5	5.7	5.3	4.9	4.3	4.0		38.0
40.0	3	3.7	4.7	5.0	4.5	4.3	3.9	3.4	4.2	5.4	4.7	4.3	3.7	3.3		40.0
42.0								3.3	4	4.9	4.1	3.7	3.2	2.8		42.0
44.0								3	3.8	4.6	3.6	3.2	2.6	2.3		44.0
46.0																46.0
48.0																48.0
50.0																50.0
52.0																52.0
54.0																54.0
56.0																56.0
58.0																58.0
60.0																60.0
62.0																62.0
64.0																64.0
66.0																66.0
68.0																68.0
70.0																70.0
Reeving	5							4							Reeving	
Hook	55t														Hook	
Telescoping mode	I	1	1	1	1	1	1	2	1	1	1	1	1	2	3	I
	II	1	1	1	1	2	3	2	1	1	1	2	3	3	2	II
	III	1	1	2	3	3	2	2	1	2	3	3	3	2	2	III
	IV	2	3	3	3	2	2	2	3	3	3	3	2	2	2	IV
	V	3	3	3	2	2	2	2	3	3	3	2	2	2	2	V
	VI	3	3	2	2	2	2	2	3	3	2	2	2	2	2	VI
	VII	3	2	2	2	2	2	2	3	2	2	2	2	2	2	VII

Table 8-4 Main boom

Unit: t

Outriggers fully extended, with 36 tons counterweight, counterweight moved backwards, over full range																
Working radius (m)	Boom length (m)														Working radius (m)	
	58.5	58.5	58.5	58.5	58.5	58.5★					63.4	63.4	63.4	63.4		63.4★
3.0																3.0
3.5																3.5
4.0																4.0
4.5																4.5
5.0																5.0
6.0																6.0
7.0																7.0
8.0																8.0
9.0																9.0
10.0																10.0
12.0																12.0
14.0	10.5	12.6	15.2	18	20.5	23				10.7	13.5	15.8	18	19	14.0	
16.0	9.6	11.5	14.3	16.6	19	21				10.1	12.5	15.1	17.7	18.7	16.0	
18.0	9	10.5	13	15	17.2	19.5				9.3	11.5	13.9	16.2	17.8	18.0	
20.0	8.2	9.6	12.1	13.6	14.8	17.8				8.7	10.5	12.8	14.5	16.3	20.0	
22.0	7.6	8.9	11.2	12	14.2	13.6				8.1	9.7	11.5	13.5	14.9	22.0	
24.0	7	8.2	10.3	11	12.8	11.5				7.5	9	10.5	12.3	11.7	24.0	
26.0	6.4	7.6	9.7	9.9	11.6	9.8				7	8.4	9.6	11.1	10.0	26.0	
28.0	5.9	7	9	9.1	9.0	8.5				6.5	7.9	8.8	10.2	8.6	28.0	
30.0	5.5	6.6	8.4	8.4	7.7	7.2				6	7.4	8.1	8.0	7.3	30.0	
32.0	5.1	6.1	7.9	7.7	6.8	6.2				5.7	6.9	7.5	6.9	6.3	32.0	
34.0	4.8	5.7	7.2	7	5.9	5.3				5.3	6.5	6.9	6.0	5.4	34.0	
36.0	4.5	5.4	6.7	5.8	5.0	4.5				5	6.1	6.4	5.2	4.6	36.0	
38.0	4.2	5.1	6.2	5.0	4.3	3.9				4.7	5.8	5.9	4.6	4.0	38.0	
40.0	4	4.8	5.0	4.4	3.8	3.2				4.2	5.4	4.7	4.0	3.3	40.0	
42.0	3.7	4.5	4.4	3.9	3.2	2.7				4.1	5.1	4.1	3.3	2.7	42.0	
44.0	3.5	4.3	3.9	3.3	2.7	2.0				3.9	4.2	3.6	2.9	2.1	44.0	
46.0	3.3	4	3.4	2.9	2.1	1.6				3.7	3.7	3.2	2.4	1.7	46.0	
48.0	3	3.7	3.0	2.5	1.7	1.3				3.5	3.3	2.7	1.9	1.3	48.0	
50.0	2.8	3.5	2.6	2.0	1.4					3.3	2.9	2.3	1.5		50.0	
52.0										3.0	2.5	1.9	1.2		52.0	
54.0										2.9	2.1	1.6			54.0	
56.0															56.0	
58.0															58.0	
60.0															60.0	
62.0															62.0	
64.0															64.0	
66.0															66.0	
68.0															68.0	
70.0															70.0	
Reeving	4										3					Reeving
Hook	55t										25t					Hook
Telescoping mode	I	1	1	1	1	2	3				1	1	1	2	3	Telescoping mode
	II	1	1	2	3	3	3				1	2	3	3	3	
	III	2	3	3	3	3	2				3	3	3	3	3	
	IV	3	3	3	3	2	2				3	3	3	3	2	
	V	3	3	3	2	2	2				3	3	3	2	2	
	VI	3	3	2	2	2	2				3	3	2	2	2	
	VII	3	2	2	2	2	2				3	2	2	2	2	

Table 8-4 Main boom

Unit: t

Outriggers fully extended, with 36 tons counterweight, counterweight moved backwards, over full range																
Working radius (m)	Boom length (m)														Working radius (m)	
	68.3	68.3	68.3	68.3★		73.2	73.2	73.2★		78.1	78.1★	83★	86.2★	88★		
6.0															6.0	
7.0															7.0	
8.0															8.0	
9.0															9.0	
10.0															10.0	
12.0															12.0	
14.0															14.0	
16.0	10.5	13	14.5	15.5											16.0	
18.0	9.9	12.2	14	15		10	10.8	11.5							18.0	
20.0	9.3	11.3	13.5	14.5		9.7	10.5	11.2		8.2	9				20.0	
22.0	8.7	10.6	12.6	13.6		9.2	10.1	10.8		8	8.7	7.1			22.0	
24.0	8.2	9.8	11.5	12.5		8.7	9.7	10.4		7.8	8.4	7	6	5.7	24.0	
26.0	7.6	9.2	10.6	10.3		8.2	9.3	10		7.6	8.2	6.8	5.8	5.6	26.0	
28.0	7	8.6	9.7	8.8		7.8	8.9	9.6		7.4	8	6.6	5.7	5.5	28.0	
30.0	6.6	7.9	8.9	7.6		7.3	8.5	8.0		7.2	7.8	6.4	5.6	5.4	30.0	
32.0	6.2	7.3	7.3	6.6		6.9	8	6.9		7	7.5	6.2	5.5	5.3	32.0	
34.0	5.8	6.7	6.4	5.7		6.5	7.4	6.0		6.8	6.4	6	5.4	5.2	34.0	
36.0	5.5	6.2	5.6	4.9		6.1	5.9	5.2		6.5	5.6	5.9	5.3	5.1	36.0	
38.0	5.2	5.7	4.9	4.1		5.6	5.2	4.5		6.1	4.9	5.7	5.2	5	38.0	
40.0	4.9	5.3	4.2	3.5		5.2	4.6	3.9		5.0	4.2	4.7	5.1	4.9	40.0	
42.0	4.6	4.9	3.7	3.0		4.8	4.1	3.2		4.5	3.7	4.1	4.2	4.1	42.0	
44.0	4.4	4.0	3.2	2.4		4.5	3.5	2.8		4.0	3.2	3.6	3.7	3.6	44.0	
46.0	4.2	3.5	2.7	1.9		4.1	3.1	2.3		3.4	2.7	3.1	3.2	3.2	46.0	
48.0	4	3.1	2.1	1.5		3.8	2.6	1.8		3.1	2.1	2.6	2.8	2.7	48.0	
50.0	3.3	2.7	1.8	1.1		3.1	2.1	1.4		2.6	1.7	2.1	2.4	2.3	50.0	
52.0	3.0	2.3	1.4			2.7	1.8	1.1		2.1	1.4	1.8	2.0	1.8	52.0	
54.0	2.6	1.9	1.1			2.3	1.4			1.8	1.1	1.4	1.6	1.5	54.0	
56.0	2.3	1.6				2.0	1.2			1.5		1.2	1.3	1.2	56.0	
58.0	1.9	1.4				1.7				1.3					58.0	
60.0	1.6	1.1				1.4									60.0	
62.0						1.2									62.0	
64.0															64.0	
66.0															66.0	
68.0															68.0	
70.0															70.0	
72.0															72.0	
74.0															74.0	
Reeving	3					3					2		2	2	2	Reeving
Hook	25t														Hook	
Telescoping mode	I	1	1	2	3		1	2	3		2	3	3	3	4	I
	II	2	3	3	3		3	3	3		3	3	3	3	4	II
	III	3	3	3	3		3	3	3		3	3	3	4	4	III
	IV	3	3	3	3		3	3	3		3	3	3	4	4	IV
	V	3	3	3	2		3	3	3		3	3	3	4	4	V
	VI	3	3	2	2		3	3	2		3	3	3	4	4	VI
	VII	3	2	2	2		3	2	2		3	2	3	4	4	VII

Table 8-5 Main boom

Unit: t

Outriggers fully extended, with 27 tons counterweight, counterweight moved backwards, over full range															
Working radius (m)	Boom length (m)														Working radius (m)
	14.4 ★	19.3	19.3	19.3	19.3	19.3	19.3	19.3 ★	24.2	24.2	24.2	24.2	24.2	24.2	
3.0	116	48.5	55	72	75	95	110								3.0
3.5	110	46	55	72	75	95	102	23	46	62	70	75	90	90	3.5
4.0	100	43.5	55	72	75	95	93	22	44	58	67	72	84	85	4.0
4.5	94	41.7	55	72	75	88	88	21	41	55	64	70	79	80	4.5
5.0	90	39.5	55	70	75	81	81	20	39	52	60	67	73	76	5.0
6.0	72	36.5	49	63	73	72	72	17.5	34	45	53	60	65	70	6.0
7.0	60	33.5	44.5	57.5	60	60	60	16	31	41	47	62	62	60	7.0
8.0	49	31.5	40.5	53	49	49	49	14.8	28.5	38	44	49	49	49	8.0
9.0	43	29.5	37.5	48.5	43	43	43	13.7	26.2	35	40	43	43	43	9.0
10.0	38.0	27.5	34	45	40.0	39.0	38.0	12.8	24.5	32.5	37	39	38.0	38.0	10.0
12.0		24.5	30	31.7	31.1	30.4	29.6	10.9	20.5	27.5	31	31.3	30.2	28.5	12.0
14.0		22.5	26.5	24.2	23.7	23.0	22.2	10	18.5	24	25	23.9	22.8	21.2	14.0
16.0								9	16.5	22	19.7	18.8	17.8	16.3	16.0
18.0								8.2	15	16.8	16.0	15.2	14.1	12.7	18.0
20.0															20.0
22.0															22.0
24.0															24.0
26.0															26.0
28.0															28.0
30.0															30.0
32.0															32.0
34.0															34.0
36.0															36.0
38.0															38.0
40.0															40.0
42.0															42.0
44.0															44.0
46.0															46.0
48.0															48.0
50.0															50.0
52.0															52.0
54.0															54.0
56.0															56.0
58.0															58.0
60.0															60.0
62.0															62.0
64.0															64.0
66.0															66.0
68.0															68.0
70.0															70.0
Reeving	14	13						13						Reeving	
Hook	110t														Hook
Telescoping mode	I	1	1	1	1	1	1	1	1	1	1	1	1	2	Telescoping mode
	II	1	1	1	1	1	1	2	1	1	1	1	2	2	
	III	1	1	1	1	1	2	1	1	1	1	2	2	1	
	IV	1	1	1	1	2	1	1	1	1	2	2	1	1	
	V	1	1	1	2	1	1	1	1	2	2	1	1	1	
	VI	1	1	2	1	1	1	1	1	2	2	1	1	1	
	VII	1	2	1	1	1	1	1	3	2	1	1	1	1	



Table 8-5 Main boom

Unit: t

Outriggers fully extended, with 27 tons counterweight, counterweight moved backwards, over full range																
Working radius (m)	Boom length (m)														Working radius (m)	
	29.1	29.1	29.1	29.1	29.1	29.1	29.1★	34	34	34	34	34	34	34★		
3.0																3.0
3.5																3.5
4.0																4.0
4.5	22	19	45	53	68	80	80									4.5
5.0	21	18.2	43	51.5	65	78	78									5.0
6.0	19.3	16.2	38	45.5	60	70	71	13.5	17.5	27	40.5	50	65	68		6.0
7.0	18.2	14.5	35	41	55	61	61	12.2	16.1	25	37	46	60	63		7.0
8.0	17	13.1	32	37.5	49	50	50	11.2	14.8	23	34	42	51	50		8.0
9.0	15.7	12.1	30	34.5	46.5	44	44	10.3	13.7	21	31.5	39	44	44		9.0
10.0	14.7	11.2	27.6	32	42	41.0	39.0	9.6	12.5	19.6	29	36.5	41	39.0		10.0
12.0	12.7	9.6	24	27	32.4	31.1	29.2	8	10.8	16.8	24.5	30.8	32.0	30.1		12.0
14.0	11.4	8.3	21	24	24.8	23.6	21.9	7.1	9.6	14.9	22	28.5	24.5	22.7		14.0
16.0	10.5	7.4	18.6	21.5	19.7	18.5	16.9	6.3	8.5	13	19.5	20.7	19.4	17.6		16.0
18.0	9.6	6.6	17	17.1	16.0	14.9	13.3	5.7	7.7	11.8	17.7	16.9	15.7	14.0		18.0
20.0	8.8	6	15.4	14.2	13.2	12.2	10.6	5.1	7.1	10.7	16	14.1	12.9	11.3		20.0
22.0	8.1	5.4	14.2	12.1	11.1	10.0	8.5	4.6	6.4	9.9	13.0	11.9	10.7	9.2		22.0
24.0								4.2	5.9	9.1	11.2	10.2	9.0	7.5		24.0
26.0								3.8	5.4	8.4	9.6	8.6	7.6	6.0		26.0
28.0																28.0
30.0																30.0
32.0																32.0
34.0																34.0
36.0																36.0
38.0																38.0
40.0																40.0
42.0																42.0
44.0																44.0
46.0																46.0
48.0																48.0
50.0																50.0
52.0																52.0
54.0																54.0
56.0																56.0
58.0																58.0
60.0																60.0
62.0																62.0
64.0																64.0
66.0																66.0
68.0																68.0
70.0																70.0
Reeving	11							9							Reeving	
Hook	90t														Hook	
Telescoping mode	I	1	1	1	1	1	1	2	1	1	1	1	1	1	2	I
	II	1	1	1	1	1	2	2	1	1	1	1	1	2	2	II
	III	1	1	1	1	2	2	2	1	1	1	1	2	2	2	III
	IV	1	1	1	2	2	2	1	1	1	1	2	2	2	2	IV
	V	1	1	2	2	2	1	1	1	2	3	2	2	2	1	V
	VI	2	3	2	2	1	1	1	3	3	2	2	2	1	1	VI
	VII	3	2	2	1	1	1	1	3	2	2	2	1	1	1	VII

Table 8-5 Main boom

Unit: t

Outriggers fully extended, with 27 tons counterweight, counterweight moved backwards, over full range																
Working radius (m)	Boom length (m)														Working radius (m)	
	38.9	38.9	38.9	38.9	38.9	38.9	38.9★	43.8	43.8	43.8	43.8	43.8	43.8	43.8★		
3.0																3.0
3.5																3.5
4.0																4.0
4.5																4.5
5.0																5.0
6.0																6.0
7.0	13.4	17.3	19	24	40	51	60									7.0
8.0	12.3	16.1	17.5	22.3	37.2	47.5	52									8.0
9.0	11.5	14.9	16.1	20.6	34.5	44	45	12	14.7	17.5	22.1	27.5	38	48		9.0
10.0	10.7	13.8	14.9	19	32.5	41.5	40.0	11.5	13.7	16.2	20.7	25.8	36	45.5		10.0
12.0	9.1	12	12.7	16.2	27.5	35	31.1	9.9	11.5	14	17.6	22.3	31.7	32.1		12.0
14.0	8	10.8	11.2	14.2	25	25.4	23.6	8.8	10	12.5	15.7	19.5	28.2	24.6		14.0
16.0	7.1	9.7	10	12.5	22.5	20.3	18.5	7.9	9	11	13.8	17.3	21.2	19.4		16.0
18.0	6.4	8.8	9	11.3	17.8	16.5	14.9	7.2	8	10	12.5	15.5	17.4	15.7		18.0
20.0	5.9	8	8	10.2	14.9	13.7	12.1	6.6	7.3	9	11.3	14	14.5	13.0		20.0
22.0	5.3	7.2	7.3	9.3	12.7	11.5	9.9	6	6.6	8.2	10.2	12.8	12.2	10.7		22.0
24.0	4.9	6.8	6.7	8.5	10.9	9.7	8.2	5.6	6	7.6	9.4	11.7	10.5	9.0		24.0
26.0	4.6	6.3	6.1	7.8	9.5	8.3	6.8	5.2	5.5	6.9	8.6	9.3	9.0	7.6		26.0
28.0	4.2	5.9	5.6	7.2	8.2	7.0	5.6	4.8	5	6.4	7.9	8.1	7.8	6.3		28.0
30.0	3.9	5.5	5.1	6.6	7.2	6.0	4.6	4.5	4.6	5.9	7.3	7.0	6.8	5.3		30.0
32.0	3.6	5.1	4.7	6	6.3	5.1	3.7	4.2	4.3	5.5	6.8	6.1	5.9	4.4		32.0
34.0								3.9	3.9	5	5.6	5.3	5.0	3.6		34.0
36.0								3.6	3.6	4.7	4.9	4.7	4.4	3.0		36.0
38.0																38.0
40.0																40.0
42.0																42.0
44.0																44.0
46.0																46.0
48.0																48.0
50.0																50.0
52.0																52.0
54.0																54.0
56.0																56.0
58.0																58.0
60.0																60.0
62.0																62.0
64.0																64.0
66.0																66.0
68.0																68.0
70.0																70.0
Reeving	8							6							Reeving	
Hook	90t							55t							Hook	
Telescoping mode	I	1	1	1	1	1	1	2	1	1	1	1	1	1	2	I
	II	1	1	1	1	1	2	2	1	1	1	1	1	2	2	II
	III	1	1	1	1	2	2	2	1	1	1	2	3	2	2	III
	IV	1	1	2	3	2	2	2	1	2	3	3	2	2	2	IV
	V	2	3	3	2	2	2	2	3	3	3	2	2	2	2	V
	VI	3	3	2	2	2	2	1	3	3	2	2	2	2	2	VI
	VII	3	2	2	2	2	1	1	3	2	2	2	2	2	1	VII

Table 8-5 Main boom

Unit: t

Outriggers fully extended, with 27 tons counterweight, counterweight moved backwards, over full range																
Working radius (m)	Boom length (m)														Working radius (m)	
	48.7	48.7	48.7	48.7	48.7	48.7	48.7★	53.6	53.6	53.6	53.6	53.6	53.6	53.6		
3.0																3.0
3.5																3.5
4.0																4.0
4.5																4.5
5.0																5.0
6.0																6.0
7.0																7.0
8.0																8.0
9.0																9.0
10.0	12.2	14.7	17.5	22	26.3	27	39									10.0
12.0	10.7	12.5	15	19.2	22.8	23.5	35.2	11	13.2	15.8	20.5	21.5	25	30		12.0
14.0	9.6	11.2	13.3	17	20	21	25.6	10	12	14.3	18.6	19.3	22	26.5		14.0
16.0	8.7	10	12	15.1	17.6	18.5	20.3	9.2	10.9	13	16.8	17	20	19.7		16.0
18.0	7.7	9	11	13.7	16	16.5	16.6	8.3	9.7	11.8	15	15.3	18	16.0		18.0
20.0	6.9	8.1	10	12.5	14.3	14.8	13.8	7.6	8.9	10.8	13.6	14	13.6	13.1		20.0
22.0	6.3	7.3	9.1	11.4	13	12.0	11.5	7	8.2	10	12.5	12.6	11.3	11.0		22.0
24.0	5.8	6.8	8.5	10.5	10.4	10.2	9.7	6.4	7.5	9.3	11.3	10.2	9.5	9.2		24.0
26.0	5.3	6.3	7.9	9.7	9.0	8.7	8.3	5.9	6.9	8.6	9.2	8.7	8.1	7.7		26.0
28.0	4.8	5.8	7.3	9	7.7	7.5	7.0	5.4	6.4	8	7.9	7.5	6.8	6.5		28.0
30.0	4.4	5.3	6.8	7.1	6.7	6.5	6.0	5	5.9	7.5	6.8	6.4	5.9	5.4		30.0
32.0	4.1	4.9	6.3	6.2	5.8	5.6	5.1	4.6	5.5	7	5.9	5.5	5.0	4.5		32.0
34.0	3.8	4.6	5.8	5.5	5.0	4.8	4.3	4.3	5.2	5.7	5.1	4.7	4.1	3.8		34.0
36.0	3.5	4.3	5.3	4.8	4.3	4.1	3.7	4	4.8	5.0	4.4	4.1	3.4	3.1		36.0
38.0	3.2	4	4.9	4.1	3.7	3.4	3.1	3.7	4.5	4.4	3.8	3.4	2.8	2.4		38.0
40.0	3	3.7	4.0	3.6	3.2	2.9	2.5	3.4	4.2	3.8	3.2	2.9	2.1	1.8		40.0
42.0								3.3	4	3.3	2.8	2.3	1.7	1.4		42.0
44.0								3	3.3	2.9	2.3	1.8	1.3			44.0
46.0																46.0
48.0																48.0
50.0																50.0
52.0																52.0
54.0																54.0
56.0																56.0
58.0																58.0
60.0																60.0
62.0																62.0
64.0																64.0
66.0																66.0
68.0																68.0
70.0																70.0
Reeving	5							4							Reeving	
Hook	55t														Hook	
Telescoping mode	I	1	1	1	1	1	1	2	1	1	1	1	1	2	3	I
	II	1	1	1	1	2	3	2	1	1	1	2	3	3	2	II
	III	1	1	2	3	3	2	2	1	2	3	3	3	2	2	III
	IV	2	3	3	3	2	2	2	3	3	3	3	2	2	2	IV
	V	3	3	3	2	2	2	2	3	3	3	2	2	2	2	V
	VI	3	3	2	2	2	2	2	3	3	2	2	2	2	2	VI
	VII	3	2	2	2	2	2	2	3	2	2	2	2	2	2	VII

Table 8-5 Main boom

Unit: t

Outriggers fully extended, with 27 tons counterweight, counterweight moved backwards, over full range																
Working radius (m)	Boom length (m)														Working radius (m)	
	58.5	58.5	58.5	58.5	58.5	58.5 ★					63.4	63.4	63.4	63.4		63.4 ★
3.0																3.0
3.5																3.5
4.0																4.0
4.5																4.5
5.0																5.0
6.0																6.0
7.0																7.0
8.0																8.0
9.0																9.0
10.0																10.0
12.0																12.0
14.0	10.5	12.6	15.2	18	20.5	23				10.7	13.5	15.8	18	19	14.0	
16.0	9.6	11.5	14.3	16.6	19	21				10.1	12.5	15.1	17.7	18.7	16.0	
18.0	9	10.5	13	15	17.2	15.9				9.3	11.5	13.9	16.2	17.8	18.0	
20.0	8.2	9.6	12.1	13.6	13.7	13.1				8.7	10.5	12.8	14.5	13.2	20.0	
22.0	7.6	8.9	11.2	12	11.4	10.8				8.1	9.7	11.5	11.7	11.0	22.0	
24.0	7	8.2	10.3	11	9.6	9.1				7.5	9	10.5	9.9	9.2	24.0	
26.0	6.4	7.6	9.7	9.9	8.1	7.6				7	8.4	9.6	8.4	7.7	26.0	
28.0	5.9	7	9	7.7	6.9	6.4				6.5	7.9	8.8	7.1	6.5	28.0	
30.0	5.5	6.6	7.1	6.6	5.9	5.3				6	7.4	6.9	6.1	5.4	30.0	
32.0	5.1	6.1	6.2	5.7	5.0	4.4				5.7	6.9	5.9	5.1	4.5	32.0	
34.0	4.8	5.7	5.4	4.9	4.1	3.6				5.3	5.8	5.2	4.4	3.7	34.0	
36.0	4.5	5.4	4.7	4.1	3.5	3.0				5	5.0	4.5	3.7	3.0	36.0	
38.0	4.2	5.1	4.1	3.6	2.9	2.3				4.7	4.4	3.9	3.1	2.4	38.0	
40.0	4	4.1	3.5	3.0	2.3	1.7				4.2	3.9	3.2	2.5	1.8	40.0	
42.0	3.7	3.7	3.1	2.5	1.7	1.3				4.1	3.3	2.8	1.9	1.3	42.0	
44.0	3.5	3.2	2.6	2.0	1.3					3.9	2.9	2.3	1.4		44.0	
46.0	3.3	2.8	2.0	1.6						3.2	2.5	1.8	1.1		46.0	
48.0	3	2.4	1.7	1.3						2.8	2.0	1.4			48.0	
50.0	2.8	2.0	1.4							2.4	1.7	1.2			50.0	
52.0										2.0	1.4				52.0	
54.0										1.7	1.1				54.0	
56.0															56.0	
58.0															58.0	
60.0															60.0	
62.0															62.0	
64.0															64.0	
66.0															66.0	
68.0															68.0	
70.0															70.0	
Reeving	4										3					Reeving
Hook	55t										25t					Hook
Telescoping mode	I	1	1	1	1	2	3				1	1	1	2	3	I
	II	1	1	2	3	3	3				1	2	3	3	3	II
	III	2	3	3	3	3	2				3	3	3	3	3	III
	IV	3	3	3	3	2	2				3	3	3	3	2	IV
	V	3	3	3	2	2	2				3	3	3	2	2	V
	VI	3	3	2	2	2	2				3	3	2	2	2	VI
	VII	3	2	2	2	2	2				3	2	2	2	2	VII

Table 8-5 Main boom

Unit: t

Outriggers fully extended, with 27 tons counterweight, counterweight moved backwards, over full range																
Working radius (m)	Boom length (m)														Working radius (m)	
	68.3	68.3	68.3	68.3★		73.2	73.2	73.2★		78.1	78.1★	83★	86.2★	88★		
6.0															6.0	
7.0															7.0	
8.0															8.0	
9.0															9.0	
10.0															10.0	
12.0															12.0	
14.0															14.0	
16.0	10.5	13	14.5	15.5											16.0	
18.0	9.9	12.2	14	15		10	10.8	11.5							18.0	
20.0	9.3	11.3	13.5	14.5		9.7	10.5	11.2		8.2	9				20.0	
22.0	8.7	10.6	12.6	11.3		9.2	10.1	10.8		8	8.7	7.1			22.0	
24.0	8.2	9.8	10.3	9.5		8.7	9.7	10.4		7.8	8.4	7	6	5.7	24.0	
26.0	7.6	9.2	8.7	7.9		8.2	9.3	8.4		7.6	8.2	6.8	5.8	5.6	26.0	
28.0	7	8.6	7.5	6.8		7.8	7.9	7.1		7.4	8	6.6	5.7	5.5	28.0	
30.0	6.6	7.9	6.4	5.7		7.3	6.8	6.0		7.2	6.5	6.4	5.6	5.4	30.0	
32.0	6.2	6.4	5.5	4.8		6.9	5.9	5.0		7	5.5	6.2	5.5	5.3	32.0	
34.0	5.8	5.6	4.7	4.0		6.5	5.0	4.2		5.6	4.7	5.1	5.4	5.2	34.0	
36.0	5.5	4.9	4.0	3.2		5.3	4.3	3.6		4.8	4.0	4.4	4.6	4.5	36.0	
38.0	5.2	4.2	3.3	2.6		4.6	3.7	3.0		4.1	3.3	3.8	4.0	3.9	38.0	
40.0	4.3	3.6	2.8	2.0		4.1	3.2	2.3		3.6	2.8	3.2	3.3	3.2	40.0	
42.0	3.8	3.2	2.3	1.5		3.5	2.7	1.8		3.1	2.1	2.7	2.8	2.7	42.0	
44.0	3.3	2.7	1.8	1.1		3.1	2.1	1.4		2.6	1.7	2.1	2.3	2.1	44.0	
46.0	2.9	2.1	1.4			2.6	1.7			2.0	1.3	1.7	1.9	1.8	46.0	
48.0	2.5	1.8				2.1	1.4			1.7		1.4	1.4	1.4	48.0	
50.0	2.0	1.4				1.8				1.4			1.1		50.0	
52.0	1.8	1.2				1.5				1.1					52.0	
54.0	1.4					1.3									54.0	
56.0	1.2														56.0	
58.0															58.0	
60.0															60.0	
62.0															62.0	
64.0															64.0	
66.0															66.0	
68.0															68.0	
70.0															70.0	
72.0															72.0	
74.0															74.0	
Reeving	3					3					2		2	2	2	Reeving
Hook	25t														Hook	
Telescoping mode	I	1	1	2	3		1	2	3		2	3	3	3	4	I
	II	2	3	3	3		3	3	3		3	3	3	3	4	II
	III	3	3	3	3		3	3	3		3	3	3	4	4	III
	IV	3	3	3	3		3	3	3		3	3	3	4	4	IV
	V	3	3	3	2		3	3	3		3	3	3	4	4	V
	VI	3	3	2	2		3	3	2		3	3	3	4	4	VI
	VII	3	2	2	2		3	2	2		3	2	3	4	4	VII

Table 8-6 Main boom

Unit: t

Outriggers fully extended, with 18 tons counterweight, counterweight moved backwards, over full range																
Working radius (m)	Boom length (m)														Working radius (m)	
	14.4 ★	19.3	19.3	19.3	19.3	19.3	19.3	19.3 ★	24.2	24.2	24.2	24.2	24.2	24.2		24.2 ★
3.0	114	48.5	55	72	75	95	110								3.0	
3.5	108	46	55	72	75	95	102	23	46	62	70	75	90	90	3.5	
4.0	98	43.5	55	72	75	93	93	22	44	58	67	72	84	85	4.0	
4.5	91	41.7	55	72	75	88	88	21	41	55	64	70	79	80	4.5	
5.0	87	39.5	55	70	75	81	81	20	39	52	60	67	73	76	5.0	
6.0	69	36.5	49	63	69	69	69	17.5	34	45	53	60	65	70	6.0	
7.0	56	33.5	44.5	57.5	57	56	56	16	31	41	47	58	57	57	7.0	
8.0	45.0	31.5	40.5	46.5	46	45.5	45.0	14.8	28.5	38	44	47	46.5	46.0	8.0	
9.0	39.0	29.5	37.5	42	41.0	40.0	39.0	13.7	26.2	35	40	43.0	42.0	40.2	9.0	
10.0	34.0	27.5	34	36.1	35.5	34.7	34.0	12.8	24.5	32.5	36	34.5	34.0	32.5	10.0	
12.0		24.5	26.3	25.7	25.2	24.5	23.7	10.9	20.5	27	26.0	25.0	24.3	22.6	12.0	
14.0		22.5	19.9	19.4	18.9	18.2	17.5	10	18.5	20.5	20.0	19.0	17.6	16.5	14.0	
16.0								9	16.5	16.6	15.8	14.9	13.8	12.3	16.0	
18.0								8.2	15	13.3	12.6	11.7	10.7	9.2	18.0	
20.0															20.0	
22.0															22.0	
24.0															24.0	
26.0															26.0	
28.0															28.0	
30.0															30.0	
32.0															32.0	
34.0															34.0	
36.0															36.0	
38.0															38.0	
40.0															40.0	
42.0															42.0	
44.0															44.0	
46.0															46.0	
48.0															48.0	
50.0															50.0	
52.0															52.0	
54.0															54.0	
56.0															56.0	
58.0															58.0	
60.0															60.0	
62.0															62.0	
64.0															64.0	
66.0															66.0	
68.0															68.0	
70.0															70.0	
Reeving	14	13						13						Reeving		
Hook	110t														Hook	
Telescoping mode	I	1	1	1	1	1	1	1	1	1	1	1	1	1	2	Telescoping mode
	II	1	1	1	1	1	1	2	1	1	1	1	1	2	2	
	III	1	1	1	1	1	2	1	1	1	1	1	2	2	1	
	IV	1	1	1	1	2	1	1	1	1	1	2	2	1	1	
	V	1	1	1	2	1	1	1	1	1	2	2	1	1	1	
	VI	1	1	2	1	1	1	1	1	1	2	2	1	1	1	
	VII	1	2	1	1	1	1	1	3	2	1	1	1	1	1	

Table 8-6 Main boom

Unit: t

Outriggers fully extended, with 18 tons counterweight, counterweight moved backwards, over full range																
Working radius (m)	Boom length (m)														Working radius (m)	
	29.1	29.1	29.1	29.1	29.1	29.1	29.1★	34	34	34	34	34	34	34★		
3.0															3.0	
3.5															3.5	
4.0															4.0	
4.5	22	19	45	53	68	80	82								4.5	
5.0	21	18.2	43	51.5	65	78	80								5.0	
6.0	19.3	16.2	38	45.5	60	70	72	13.5	17.5	27	40.5	50	65	68	6.0	
7.0	18.2	14.5	35	41	55	56	56	12.2	16.1	25	37	46	58	58	7.0	
8.0	17	13.1	32	37.5	47	46	46.0	11.2	14.8	23	34	42	49	49	8.0	
9.0	15.7	12.1	30	34.5	44	43.3	41.1	10.3	13.7	21	31.5	39	44.6	42.2	9.0	
10.0	14.7	11.2	27.6	32	36.9	35.4	33.3	9.6	12.5	19.6	29	36.5	36.5	34.3	10.0	
12.0	12.7	9.6	24	27	26.0	25.0	23.2	8	10.8	16.8	24.5	27.5	26.0	24.1	12.0	
14.0	11.4	8.3	21	21.0	20.0	18.5	17.1	7.1	9.6	14.9	21.5	21.1	19.7	17.9	14.0	
16.0	10.5	7.4	18.6	16.8	15.8	14.5	12.9	6.3	8.5	13	19.5	16.7	15.4	13.7	16.0	
18.0	9.6	6.6	14.5	13.6	12.6	11.4	9.8	5.7	7.7	11.8	14.6	13.5	12.2	10.6	18.0	
20.0	8.8	6	12.1	11.3	10.2	9.1	7.5	5.1	7.1	10.7	12.2	11.1	9.8	8.2	20.0	
22.0	8.1	5.4	10.2	9.3	8.3	7.2	5.6	4.6	6.4	9.9	10.2	9.2	7.9	6.3	22.0	
24.0									4.2	5.9	9.1	8.6	7.6	6.4	24.0	
26.0									3.8	5.4	8.4	7.4	6.4	5.2	26.0	
28.0															28.0	
30.0															30.0	
32.0															32.0	
34.0															34.0	
36.0															36.0	
38.0															38.0	
40.0															40.0	
42.0															42.0	
44.0															44.0	
46.0															46.0	
48.0															48.0	
50.0															50.0	
52.0															52.0	
54.0															54.0	
56.0															56.0	
58.0															58.0	
60.0															60.0	
62.0															62.0	
64.0															64.0	
66.0															66.0	
68.0															68.0	
70.0															70.0	
Reeving	11							9							Reeving	
Hook	90t														Hook	
Telescoping mode	I	1	1	1	1	1	1	2	1	1	1	1	1	1	2	I
	II	1	1	1	1	1	2	2	1	1	1	1	1	2	2	II
	III	1	1	1	1	2	2	2	1	1	1	1	2	2	2	III
	IV	1	1	1	2	2	2	1	1	1	1	2	2	2	2	IV
	V	1	1	2	2	2	1	1	1	2	3	2	2	2	1	V
	VI	2	3	2	2	1	1	1	3	3	2	2	2	1	1	VI
	VII	3	2	2	1	1	1	1	3	2	2	2	1	1	1	VII

Table 8-6 Main boom

Unit: t

Outriggers fully extended, with 18 tons counterweight, counterweight moved backwards, over full range																
Working radius (m)	Boom length (m)														Working radius (m)	
	38.9	38.9	38.9	38.9	38.9	38.9	38.9★	43.8	43.8	43.8	43.8	43.8	43.8	43.8★		
3.0																3.0
3.5																3.5
4.0																4.0
4.5																4.5
5.0																5.0
6.0																6.0
7.0	13.4	17.3	19	24	40	51	60									7.0
8.0	12.3	16.1	17.5	22.3	37.2	47.5	51									8.0
9.0	11.5	14.9	16.1	20.6	34.5	44	43.5	12	14.7	17.5	22.1	27.5	38	48		9.0
10.0	10.7	13.8	14.9	19	32.5	41.5	35.4	11.5	13.7	16.2	20.7	25.8	36	36.6		10.0
12.0	9.1	12	12.7	16.2	27.5	27.1	25.1	9.9	11.5	14	17.6	22.3	28.2	26.1		12.0
14.0	8	10.8	11.2	14.2	22.1	20.6	18.8	8.8	10	12.5	15.7	19.5	21.5	19.7		14.0
16.0	7.1	9.7	10	12.5	17.6	16.2	14.5	7.9	9	11	13.8	17.3	17.1	15.4		16.0
18.0	6.4	8.8	9	11.3	14.3	13.1	11.4	7.2	8	10	12.5	15.5	13.9	12.2		18.0
20.0	5.9	8	8	10.2	11.9	10.6	9.0	6.6	7.3	9	11.3	11.8	11.4	9.8		20.0
22.0	5.3	7.2	7.3	9.3	10.0	8.7	7.1	6	6.6	8.2	10.2	9.8	9.5	7.9		22.0
24.0	4.9	6.8	6.7	8.5	8.4	7.2	5.6	5.6	6	7.6	9.4	8.3	7.9	6.4		24.0
26.0	4.6	6.3	6.1	7.8	7.1	5.9	4.4	5.2	5.5	6.9	7.2	7.0	6.7	5.1		26.0
28.0	4.2	5.9	5.6	6.4	6.0	4.9	3.4	4.8	5	6.4	6.2	5.9	5.7	4.1		28.0
30.0	3.9	5.5	5.1	5.5	5.1	4.1	2.5	4.5	4.6	5.9	5.2	5.0	4.8	3.2		30.0
32.0	3.6	5.1	4.7	4.7	4.4	3.2	1.7	4.2	4.3	5.5	4.5	4.2	4.0	2.5		32.0
34.0								3.9	3.9	4.2	3.8	3.6	3.3	1.8		34.0
36.0								3.6	3.6	3.6	3.2	3.0	2.7	1.2		36.0
38.0																38.0
40.0																40.0
42.0																42.0
44.0																44.0
46.0																46.0
48.0																48.0
50.0																50.0
52.0																52.0
54.0																54.0
56.0																56.0
58.0																58.0
60.0																60.0
62.0																62.0
64.0																64.0
66.0																66.0
68.0																68.0
70.0																70.0
Reeving	8							6							Reeving	
Hook	90t							55t							Hook	
Telescoping mode	I	1	1	1	1	1	1	2	1	1	1	1	1	1	2	I
	II	1	1	1	1	1	2	2	1	1	1	1	1	2	2	II
	III	1	1	1	1	2	2	2	1	1	1	2	3	2	2	III
	IV	1	1	2	3	2	2	2	1	2	3	3	2	2	2	IV
	V	2	3	3	2	2	2	2	3	3	3	2	2	2	2	V
	VI	3	3	2	2	2	2	1	3	3	2	2	2	2	2	VI
	VII	3	2	2	2	2	1	1	3	2	2	2	2	2	1	VII



Table 8-6 Main boom

Unit: t

Outriggers fully extended, with 18 tons counterweight, counterweight moved backwards, over full range																
Working radius (m)	Boom length (m)														Working radius (m)	
	48.7	48.7	48.7	48.7	48.7	48.7	48.7★	53.6	53.6	53.6	53.6	53.6	53.6	53.6		
3.0																3.0
3.5																3.5
4.0																4.0
4.5																4.5
5.0																5.0
6.0																6.0
7.0																7.0
8.0																8.0
9.0																9.0
10.0	12.2	14.7	17.5	22	26.3	27	39									10.0
12.0	10.7	12.5	15	19.2	22.8	23.5	27.3	11	13.2	15.8	20.5	21.5	25	26.6		12.0
14.0	9.6	11.2	13.3	17	20	21	20.7	10	12	14.3	18.6	19.3	22	20.1		14.0
16.0	8.7	10	12	15.1	17.6	18.5	16.3	9.2	10.9	13	16.8	17	16.1	15.7		16.0
18.0	7.7	9	11	13.7	13.9	13.6	13.1	8.3	9.7	11.8	15	13.6	12.9	12.5		18.0
20.0	6.9	8.1	10	12.5	11.4	11.2	10.6	7.6	8.9	10.8	11.6	11.2	10.4	10.1		20.0
22.0	6.3	7.3	9.1	10.0	9.5	9.2	8.7	7	8.2	10	9.6	9.2	8.6	8.1		22.0
24.0	5.8	6.8	8.5	8.4	7.9	7.7	7.2	6.4	7.5	9.3	8.1	7.7	6.9	6.6		24.0
26.0	5.3	6.3	7.9	7.1	6.6	6.4	5.9	5.9	6.9	7.4	6.8	6.3	5.7	5.3		26.0
28.0	4.8	5.8	6.5	6.0	5.6	5.3	4.9	5.4	6.4	6.3	5.7	5.3	4.7	4.2		28.0
30.0	4.4	5.3	5.5	5.1	4.7	4.4	4.0	5	5.9	5.4	4.8	4.4	3.8	3.4		30.0
32.0	4.1	4.9	4.8	4.3	3.9	3.6	3.2	4.6	5.5	4.6	4.1	3.6	3.0	2.6		32.0
34.0	3.8	4.6	4.1	3.7	3.2	3.0	2.6	4.3	4.4	4.0	3.3	3.0	2.3	1.9		34.0
36.0	3.5	4.3	3.4	3.1	2.6	2.4	1.9	4	3.8	3.3	2.8	2.3	1.7	1.4		36.0
38.0	3.2	3.5	3.0	2.5	2.0	1.8	1.4	3.7	3.3	2.8	2.1	1.7	1.2			38.0
40.0	3	3.0	2.4	2.0	1.5	1.4		3.4	2.8	2.3	1.7	1.3				40.0
42.0								3.3	2.4	1.8	1.3					42.0
44.0								2.6	1.9	1.4						44.0
46.0																46.0
48.0																48.0
50.0																50.0
52.0																52.0
54.0																54.0
56.0																56.0
58.0																58.0
60.0																60.0
62.0																62.0
64.0																64.0
66.0																66.0
68.0																68.0
70.0																70.0
Reeving	5							4							Reeving	
Hook	55t														Hook	
Telescoping mode	I	1	1	1	1	1	1	2	1	1	1	1	1	2	3	I
	II	1	1	1	1	2	3	2	1	1	1	2	3	3	2	II
	III	1	1	2	3	3	2	2	1	2	3	3	3	2	2	III
	IV	2	3	3	3	2	2	2	3	3	3	3	2	2	2	IV
	V	3	3	3	2	2	2	2	3	3	3	2	2	2	2	V
	VI	3	3	2	2	2	2	2	3	3	2	2	2	2	2	VI
	VII	3	2	2	2	2	2	2	3	2	2	2	2	2	2	VII

Table 8-6 Main boom

Unit: t

Outriggers fully extended, with 18 tons counterweight, counterweight moved backwards, over full range																
Working radius (m)	Boom length (m)														Working radius (m)	
	58.5	58.5	58.5	58.5	58.5	58.5 ★					63.4	63.4	63.4	63.4		63.4 ★
3.0																3.0
3.5																3.5
4.0																4.0
4.5																4.5
5.0																5.0
6.0																6.0
7.0																7.0
8.0																8.0
9.0																9.0
10.0																10.0
12.0																12.0
14.0	10.5	12.6	15.2	18	20.5	20.1				10.7	13.5	15.8	18	19	14.0	
16.0	9.6	11.5	14.3	16.6	16.2	15.6				10.1	12.5	15.1	17.7	15.8	16.0	
18.0	9	10.5	13	15	13.0	12.3				9.3	11.5	13.9	13.3	12.5	18.0	
20.0	8.2	9.6	12.1	11.3	10.5	9.9				8.7	10.5	12.8	10.8	10.1	20.0	
22.0	7.6	8.9	10.0	9.4	8.6	8.0				8.1	9.7	9.7	8.8	8.1	22.0	
24.0	7	8.2	8.4	7.8	7.0	6.5				7.5	9	8.2	7.3	6.6	24.0	
26.0	6.4	7.6	7.1	6.5	5.8	5.2				7	7.5	6.8	5.9	5.3	26.0	
28.0	5.9	7	6.0	5.5	4.7	4.1				6.5	6.4	5.8	5.0	4.2	28.0	
30.0	5.5	5.8	5.0	4.5	3.8	3.2				6	5.5	4.9	4.1	3.3	30.0	
32.0	5.1	5.0	4.3	3.8	3.1	2.5				5.7	4.7	4.1	3.2	2.5	32.0	
34.0	4.8	4.3	3.6	3.1	2.3	1.7				4.7	4.0	3.3	2.5	1.8	34.0	
36.0	4.5	3.7	3.0	2.5	1.7	1.2				4.1	3.3	2.8	1.9	1.3	36.0	
38.0	3.7	3.2	2.5	1.9	1.2					3.5	2.9	2.1	1.4		38.0	
40.0	3.2	2.7	2.0	1.4						3.1	2.3	1.7			40.0	
42.0	2.8	2.1	1.5							2.6	1.9	1.3			42.0	
44.0	2.4	1.8	1.2							2.1	1.4				44.0	
46.0	2.0	1.4								1.8	1.2				46.0	
48.0	1.6	1.1								1.4					48.0	
50.0	1.4									1.2					50.0	
52.0															52.0	
54.0															54.0	
56.0															56.0	
58.0															58.0	
60.0															60.0	
62.0															62.0	
64.0															64.0	
66.0															66.0	
68.0															68.0	
70.0															70.0	
Reeving	4										3					Reeving
Hook	55t										25t					Hook
Telescoping mode	I	1	1	1	1	2	3				1	1	1	2	3	Telescoping mode
	II	1	1	2	3	3	3				1	2	3	3	3	
	III	2	3	3	3	3	2				3	3	3	3	3	
	IV	3	3	3	3	2	2				3	3	3	3	2	
	V	3	3	3	2	2	2				3	3	3	2	2	
	VI	3	3	2	2	2	2				3	3	2	2	2	
	VII	3	2	2	2	2	2				3	2	2	2	2	

Table 8-6 Main boom

Unit: t

Outriggers fully extended, with 18 tons counterweight, counterweight moved backwards, over full range																
Working radius (m)	Boom length (m)														Working radius (m)	
	68.3	68.3	68.3	68.3 ★		73.2	73.2	73.2 ★		78.1	78.1 ★	83 ★	86.2 ★	88 ★		
6.0															6.0	
7.0															7.0	
8.0															8.0	
9.0															9.0	
10.0															10.0	
12.0															12.0	
14.0															14.0	
16.0	10.5	13	14.5	15.5											16.0	
18.0	9.9	12.2	14	12.9		10	10.8	11.5							18.0	
20.0	9.3	11.3	11.3	10.4		9.7	10.5	11.2		8.2	9				20.0	
22.0	8.7	10.6	9.3	8.4		9.2	10.1	8.8		8	8.7	7.1			22.0	
24.0	8.2	8.6	7.7	6.8		8.7	8.1	7.2		7.8	8.4	7	6	5.7	24.0	
26.0	7.6	7.3	6.3	5.5		8.2	6.8	5.9		7.6	6.4	6.8	5.8	5.6	26.0	
28.0	7	6.1	5.2	4.5		6.7	5.7	4.9		6.1	5.3	5.8	5.7	5.5	28.0	
30.0	6.6	5.2	4.3	3.6		5.7	4.8	3.9		5.2	4.3	4.8	5.0	5.4	30.0	
32.0	5.1	4.4	3.5	2.8		4.9	4.0	3.2		4.4	3.5	4.0	4.1	4.1	32.0	
34.0	4.4	3.7	2.9	2.0		4.1	3.2	2.4		3.7	2.8	3.2	3.4	3.3	34.0	
36.0	3.8	3.2	2.1	1.4		3.5	2.6	1.7		3.1	2.1	2.7	2.8	2.7	36.0	
38.0	3.2	2.6	1.6			3.0	2.0	1.3		2.5	1.6	2.0	2.1	2.0	38.0	
40.0	2.8	2.0	1.2			2.5	1.5			2.0	1.2	1.5	1.7	1.6	40.0	
42.0	2.3	1.6				2.0	1.2			1.5		1.1	1.3	1.2	42.0	
44.0	1.9	1.3				1.6				1.2					44.0	
46.0	1.5					1.3									46.0	
48.0	1.2														48.0	
50.0															50.0	
52.0															52.0	
54.0															54.0	
56.0															56.0	
58.0															58.0	
60.0															60.0	
62.0															62.0	
64.0															64.0	
66.0															66.0	
68.0															68.0	
70.0															70.0	
72.0															72.0	
74.0															74.0	
Reeving	3					3					2		2	2	2	Reeving
Hook	25t														Hook	
Telescoping mode	I	1	1	2	3		1	2	3		2	3	3	3	4	I
	II	2	3	3	3		3	3	3		3	3	3	3	4	II
	III	3	3	3	3		3	3	3		3	3	3	4	4	III
	IV	3	3	3	3		3	3	3		3	3	3	4	4	IV
	V	3	3	3	2		3	3	3		3	3	3	4	4	V
	VI	3	3	2	2		3	3	2		3	3	3	4	4	VI
	VII	3	2	2	2		3	2	2		3	2	3	4	4	VII

Table 8-7 Main boom

Unit: t

Outriggers fully extended, with 9 tons counterweight, counterweight moved backwards, over full range																
Working radius (m)	Boom length (m)														Working radius (m)	
	14.4 ★	19.3	19.3	19.3	19.3	19.3	19.3	19.3 ★	24.2	24.2	24.2	24.2	24.2	24.2		24.2 ★
3.0	111	48.5	55	72	75	95	110								3.0	
3.5	106	46	55	72	75	95	102	23	46	62	70	75	90	90	3.5	
4.0	95	43.5	55	72	75	93	93	22	44	58	67	72	84	85	4.0	
4.5	88	41.7	55	72	75	88	88	21	41	55	64	70	79	80	4.5	
5.0	83	39.5	55	70	75	81	81	20	39	52	60	67	73	76	5.0	
6.0	64	36.5	49	63	63	63	63	17.5	34	45	53	60	64	63	6.0	
7.0	50.0	33.5	44.5	49.5	49.0	48.5	49.0	16	31	41	47	51	50	49.0	7.0	
8.0	41.0	31.5	40.5	40.0	39.0	38.5	40.0	14.8	28.5	38	43	42.0	41.0	40.2	8.0	
9.0	34.0	29.5	36	34.9	34.2	33.4	32.5	13.7	26.2	35	35.7	34.5	33.1	31.1	9.0	
10.0	27.0	27.5	35.5	28.2	27.7	27.0	26.5	12.8	24.5	32.5	29.1	27.9	26.6	24.8	10.0	
12.0		20.9	20.4	19.9	19.3	18.6	17.8	10.9	20.5	21.4	20.6	19.5	18.4	16.7	12.0	
14.0		15.5	15.0	14.5	14.0	13.2	12.5	10	18.5	16.0	15.2	14.2	13.1	11.4	14.0	
16.0								9	13.1	12.3	11.5	10.6	9.5	7.9	16.0	
18.0								8.2	10.4	9.6	8.9	8.0	6.9	5.4	18.0	
20.0															20.0	
22.0															22.0	
24.0															24.0	
26.0															26.0	
28.0															28.0	
30.0															30.0	
32.0															32.0	
34.0															34.0	
36.0															36.0	
38.0															38.0	
40.0															40.0	
42.0															42.0	
44.0															44.0	
46.0															46.0	
48.0															48.0	
50.0															50.0	
52.0															52.0	
54.0															54.0	
56.0															56.0	
58.0															58.0	
60.0															60.0	
62.0															62.0	
64.0															64.0	
66.0															66.0	
68.0															68.0	
70.0															70.0	
Reeving	14	13						13						Reeving		
Hook	110t														Hook	
Telescoping mode	I	1	1	1	1	1	1	1	1	1	1	1	1	1	2	Telescoping mode
	II	1	1	1	1	1	1	2	1	1	1	1	1	2	2	
	III	1	1	1	1	1	2	1	1	1	1	1	2	2	1	
	IV	1	1	1	1	2	1	1	1	1	1	2	2	1	1	
	V	1	1	1	2	1	1	1	1	1	2	2	1	1	1	
	VI	1	1	2	1	1	1	1	1	2	2	1	1	1	1	
	VII	1	2	1	1	1	1	1	3	2	1	1	1	1	1	

Table 8-7 Main boom

Unit: t

Outriggers fully extended, with 9 tons counterweight, counterweight moved backwards, over full range																
Working radius (m)	Boom length (m)														Working radius (m)	
	29.1	29.1	29.1	29.1	29.1	29.1	29.1★	34	34	34	34	34	34	34★		
3.0															3.0	
3.5															3.5	
4.0															4.0	
4.5	22	19	45	53	68	80	80								4.5	
5.0	21	18.2	43	51.5	65	78	78								5.0	
6.0	19.3	16.2	38	45.5	60	65	65	13.5	17.5	27	40.5	50	65	65	6.0	
7.0	18.2	14.5	35	41	51	51	50.0	12.2	16.1	25	37	46	55	54	7.0	
8.0	17	13.1	32	37.5	45	43.7	41.1	11.2	14.8	23	34	42	44.9	42.4	8.0	
9.0	15.7	12.1	30	34.5	35.7	34.1	31.9	10.3	13.7	21	31.5	37.5	35.3	32.9	9.0	
10.0	14.7	11.2	27.6	31	29.1	27.5	25.5	9.6	12.5	19.6	29	30.3	28.6	26.5	10.0	
12.0	12.7	9.6	24	21.8	20.5	19.2	17.4	8	10.8	16.8	24.5	21.6	20.1	18.2	12.0	
14.0	11.4	8.3	17.4	16.4	15.2	13.9	12.1	7.1	9.6	14.9	17.5	16.2	14.8	12.9	14.0	
16.0	10.5	7.4	13.6	12.6	11.5	10.3	8.6	6.3	8.5	13	13.6	12.4	11.1	9.4	16.0	
18.0	9.6	6.6	10.8	9.9	8.8	7.7	6.0	5.7	7.7	11.8	10.9	9.7	8.5	6.8	18.0	
20.0	8.8	6	8.8	7.9	6.9	5.8	4.1	5.1	7.1	9.2	8.8	7.7	6.5	4.9	20.0	
22.0	8.1	5.4	7.2	6.4	5.4	4.2	2.7	4.6	6.4	7.6	7.3	6.2	5.0	3.4	22.0	
24.0								4.2	5.9	6.3	6.0	5.0	3.8	2.1	24.0	
26.0								3.8	5.4	5.2	5.0	4.0	2.8	1.2	26.0	
28.0															28.0	
30.0															30.0	
32.0															32.0	
34.0															34.0	
36.0															36.0	
38.0															38.0	
40.0															40.0	
42.0															42.0	
44.0															44.0	
46.0															46.0	
48.0															48.0	
50.0															50.0	
52.0															52.0	
54.0															54.0	
56.0															56.0	
58.0															58.0	
60.0															60.0	
62.0															62.0	
64.0															64.0	
66.0															66.0	
68.0															68.0	
70.0															70.0	
Reeving	11							9							Reeving	
Hook	90t														Hook	
Telescoping mode	I	1	1	1	1	1	1	2	1	1	1	1	1	1	2	I
	II	1	1	1	1	1	2	2	1	1	1	1	1	2	2	II
	III	1	1	1	1	2	2	2	1	1	1	1	2	2	2	III
	IV	1	1	1	2	2	2	1	1	1	1	2	2	2	2	IV
	V	1	1	2	2	2	1	1	1	2	3	2	2	2	1	V
	VI	2	3	2	2	1	1	1	3	3	2	2	2	1	1	VI
	VII	3	2	2	1	1	1	1	3	2	2	2	1	1	1	VII

Table 8-7 Main boom

Unit: t

Outriggers fully extended, with 9 tons counterweight, counterweight moved backwards, over full range																
Working radius (m)	Boom length (m)															Working radius (m)
	38.9	38.9	38.9	38.9	38.9	38.9	38.9★	43.8	43.8	43.8	43.8	43.8	43.8	43.8★		
3.0																3.0
3.5																3.5
4.0																4.0
4.5																4.5
5.0																5.0
6.0																6.0
7.0	13.4	17.3	19	24	40	51	52									7.0
8.0	12.3	16.1	17.5	22.3	37.2	43.5	43.5									8.0
9.0	11.5	14.9	16.1	20.6	34.5	36.5	34.2	12	14.7	17.5	22.1	27.5	35.3	35.3		9.0
10.0	10.7	13.8	14.9	19	32.5	29.8	27.5	11.5	13.7	16.2	20.7	25.8	30.0	28.8		10.0
12.0	9.1	12	12.7	16.2	22.7	21.1	19.2	9.9	11.5	14	17.6	22.3	22.1	20.2		12.0
14.0	8	10.8	11.2	14.2	17.2	15.7	13.8	8.8	10	12.5	15.7	17.1	16.7	14.8		14.0
16.0	7.1	9.7	10	12.5	13.3	12.0	10.2	7.9	9	11	13.8	13.2	12.9	11.1		16.0
18.0	6.4	8.8	9	11.3	10.6	9.3	7.6	7.2	8	10	10.8	10.4	10.2	8.5		18.0
20.0	5.9	8	8	8.9	8.6	7.3	5.7	6.6	7.3	9	8.7	8.5	8.1	6.5		20.0
22.0	5.3	7.2	7.3	7.3	7.0	5.8	4.1	6	6.6	8.2	7.1	6.8	6.6	5.0		22.0
24.0	4.9	6.8	6.7	6.0	5.8	4.5	3.0	5.6	6	6.3	5.9	5.6	5.3	3.8		24.0
26.0	4.6	6.3	5.2	5.0	4.7	3.5	1.9	5.2	5.5	5.3	4.8	4.6	4.2	2.8		26.0
28.0	4.2	4.8	4.4	4.1	3.9	2.7	1.1	4.8	5	4.4	4.0	3.7	3.4	1.8		28.0
30.0	3.9	4.1	3.6	3.4	3.2	1.9		4.5	4.1	3.7	3.2	3.0	2.7	1.1		30.0
32.0	3.6	3.4	3.0	2.8	2.5	1.3		4.2	3.4	3.1	2.6	2.3	2.0			32.0
34.0								3.3	2.9	2.4	2.0	1.7	1.4			34.0
36.0								2.9	2.3	1.9	1.4	1.3				36.0
38.0																38.0
40.0																40.0
42.0																42.0
44.0																44.0
46.0																46.0
48.0																48.0
50.0																50.0
52.0																52.0
54.0																54.0
56.0																56.0
58.0																58.0
60.0																60.0
62.0																62.0
64.0																64.0
66.0																66.0
68.0																68.0
70.0																70.0
Reeving	8							6							Reeving	
Hook	90t							55t							Hook	
Telescoping mode	I	1	1	1	1	1	1	2	1	1	1	1	1	1	2	I
	II	1	1	1	1	1	2	2	1	1	1	1	1	2	2	II
	III	1	1	1	1	2	2	2	1	1	1	2	3	2	2	III
	IV	1	1	2	3	2	2	2	1	2	3	3	2	2	2	IV
	V	2	3	3	2	2	2	2	3	3	3	2	2	2	2	V
	VI	3	3	2	2	2	2	2	1	3	3	2	2	2	2	VI
	VII	3	2	2	2	2	1	1	3	2	2	2	2	2	1	VII

Table 8-7 Main boom

Unit: t

Outriggers fully extended, with 9 tons counterweight, counterweight moved backwards, over full range																
Working radius (m)	Boom length (m)															Working radius (m)
	48.7	48.7	48.7	48.7	48.7	48.7	48.7★	53.6	53.6	53.6	53.6	53.6	53.6	53.6	53.6	
3.0																3.0
3.5																3.5
4.0																4.0
4.5																4.5
5.0																5.0
6.0																6.0
7.0																7.0
8.0																8.0
9.0																9.0
10.0	12.2	14.7	17.5	22	26.3	27	29.9									10.0
12.0	10.7	12.5	15	19.2	22.8	23.5	21.2	11	13.2	15.8	20.5	21.5	21.1	20.6		12.0
14.0	9.6	11.2	13.3	17	16.7	16.3	15.8	10	12	14.3	18.6	16.4	15.6	15.1		14.0
16.0	8.7	10	12	13.4	12.8	12.5	12.0	9.2	10.9	13	13.1	12.5	11.8	11.3		16.0
18.0	7.7	9	11	10.6	10.1	9.8	9.3	8.3	9.7	11.8	10.3	9.8	9.1	8.6		18.0
20.0	6.9	8.1	10	8.6	8.0	7.7	7.3	7.6	8.9	8.9	8.3	7.7	7.1	6.7		20.0
22.0	6.3	7.3	7.4	7.0	6.5	6.2	5.8	7	8.2	7.3	6.7	6.2	5.5	5.1		22.0
24.0	5.8	6.8	6.1	5.7	5.2	5.0	4.5	6.4	6.6	6.0	5.4	5.0	4.3	3.9		24.0
26.0	5.3	6.3	5.0	4.7	4.1	4.0	3.5	5.9	5.5	5.0	4.3	3.9	3.2	2.9		26.0
28.0	4.8	4.8	4.2	3.8	3.3	3.1	2.6	5.4	4.6	4.1	3.4	3.1	2.4	2.0		28.0
30.0	4.4	4.1	3.4	3.1	2.6	2.3	1.9	5	3.8	3.3	2.7	2.3	1.6	1.3		30.0
32.0	4.1	3.4	2.8	2.4	1.9	1.6	1.3	3.8	3.2	2.7	2.0	1.6				32.0
34.0	3.3	2.8	2.1	1.8	1.4	1.1		3.2	2.6	2.0	1.4	1.1				34.0
36.0	2.8	2.3	1.7	1.4				2.8	2.0	1.5						36.0
38.0	2.3	1.8	1.3					2.3	1.6	1.2						38.0
40.0	1.9	1.4						1.8	1.3							40.0
42.0								1.5								42.0
44.0								1.2								44.0
46.0																46.0
48.0																48.0
50.0																50.0
52.0																52.0
54.0																54.0
56.0																56.0
58.0																58.0
60.0																60.0
62.0																62.0
64.0																64.0
66.0																66.0
68.0																68.0
70.0																70.0
Reeving	5							4							Reeving	
Hook	55t															Hook
Telescoping mode	I	1	1	1	1	1	1	2	1	1	1	1	1	2	3	I
	II	1	1	1	1	2	3	2	1	1	1	2	3	3	2	II
	III	1	1	2	3	3	2	2	1	2	3	3	3	2	2	III
	IV	2	3	3	3	2	2	2	3	3	3	3	2	2	2	IV
	V	3	3	3	2	2	2	2	3	3	3	2	2	2	2	V
	VI	3	3	2	2	2	2	2	3	3	2	2	2	2	2	VI
	VII	3	2	2	2	2	2	2	3	2	2	2	2	2	2	VII

Table 8-7 Main boom

Unit: t

Outriggers fully extended, with 9 tons counterweight, counterweight moved backwards, over full range																
Working radius (m)	Boom length (m)														Working radius (m)	
	58.5	58.5	58.5	58.5	58.5	58.5 ★					63.4	63.4	63.4	63.4		63.4 ★
3.0																3.0
3.5																3.5
4.0																4.0
4.5																4.5
5.0																5.0
6.0																6.0
7.0																7.0
8.0																8.0
9.0																9.0
10.0																10.0
12.0																12.0
14.0	10.5	12.6	14.5	15	15.0	15.0				10.7	13.5	15	15.2	15.2	14.0	
16.0	9.6	11.5	14	12.8	11.9	11.3				10.1	12.5	13.2	12.2	11.3	16.0	
18.0	9	10.5	10.7	10.0	9.2	8.6				9.3	11.5	10.4	9.5	8.6	18.0	
20.0	8.2	9.6	8.6	8.0	7.1	6.6				8.7	9.1	8.4	7.4	6.7	20.0	
22.0	7.6	7.7	6.9	6.4	5.6	5.0				8.1	7.4	6.7	5.8	5.0	22.0	
24.0	7	6.4	5.7	5.1	4.3	3.8				7.5	6.0	5.4	4.5	3.9	24.0	
26.0	6.4	5.3	4.6	4.1	3.3	2.7				5.8	5.0	4.3	3.5	2.8	26.0	
28.0	5.0	4.4	3.7	3.2	2.4	1.8				4.9	4.1	3.5	2.6	1.9	28.0	
30.0	4.2	3.7	3.0	2.4	1.6	1.1				4.1	3.3	2.7	1.8	1.2	30.0	
32.0	3.6	3.1	2.3	1.7						3.4	2.7	2.0	1.2		32.0	
34.0	3.1	2.4	1.7	1.2						2.9	2.0	1.4			34.0	
36.0	2.5	1.9	1.3							2.3	1.6				36.0	
38.0	2.0	1.4								1.8	1.2				38.0	
40.0	1.6	1.1								1.4					40.0	
42.0	1.3									1.1					42.0	
44.0															44.0	
46.0															46.0	
48.0															48.0	
50.0															50.0	
52.0															52.0	
54.0															54.0	
56.0															56.0	
58.0															58.0	
60.0															60.0	
62.0															62.0	
64.0															64.0	
66.0															66.0	
68.0															68.0	
70.0															70.0	
Reeving	4										3					Reeving
Hook	55t										25t					Hook
Telescoping mode	I	1	1	1	1	2	3				1	1	1	2	3	I
	II	1	1	2	3	3	3				1	2	3	3	3	II
	III	2	3	3	3	3	2				3	3	3	3	3	III
	IV	3	3	3	3	2	2				3	3	3	3	2	IV
	V	3	3	3	2	2	2				3	3	3	2	2	V
	VI	3	3	2	2	2	2				3	3	2	2	2	VI
	VII	3	2	2	2	2	2				3	2	2	2	2	VII



Table 8-7 Main boom

Unit: t

Outriggers fully extended, with 9 tons counterweight, counterweight moved backwards, over full range																
Working radius (m)	Boom length (m)														Working radius (m)	
	68.3	68.3	68.3	68.3 ★		73.2	73.2	73.2 ★		78.1	78.1 ★	83 ★	86.2 ★	88 ★		
6.0															6.0	
7.0															7.0	
8.0															8.0	
9.0															9.0	
10.0															10.0	
12.0															12.0	
14.0															14.0	
16.0	10.5	13	12.5	11.5											16.0	
18.0	9.9	12.2	9.9	9.0		10	10.8	9.5							18.0	
20.0	9.3	8.8	7.8	6.9		9.7	8.3	7.4		8.2	7.8				20.0	
22.0	8.7	7.1	6.2	5.3		7.7	6.7	5.8		8	6.2	7.1			22.0	
24.0	6.6	5.9	4.9	4.1		6.3	5.3	4.4		5.9	4.9	5.4	6	5.7	24.0	
26.0	5.5	4.8	3.8	3.1		5.2	4.2	3.4		4.7	3.8	4.3	4.5	4.4	26.0	
28.0	4.6	3.9	3.0	2.0		4.3	3.3	2.5		3.8	2.9	3.4	3.6	3.5	28.0	
30.0	3.8	3.1	2.1	1.4		3.5	2.6	1.7		3.1	2.0	2.6	2.8	2.7	30.0	
32.0	3.2	2.4	1.5			2.9	1.9	1.1		2.3	1.4	1.9	2.0	1.9	32.0	
34.0	2.5	1.8				2.3	1.4			1.7		1.3	1.4	1.4	34.0	
36.0	2.0	1.4				1.7				1.3					36.0	
38.0	1.5					1.3									38.0	
40.0	1.2														40.0	
42.0															42.0	
44.0															44.0	
46.0															46.0	
48.0															48.0	
50.0															50.0	
52.0															52.0	
54.0															54.0	
56.0															56.0	
58.0															58.0	
60.0															60.0	
62.0															62.0	
64.0															64.0	
66.0															66.0	
68.0															68.0	
70.0															70.0	
72.0															72.0	
74.0															74.0	
Reeving	3					3					2		2	2	2	Reeving
Hook	25t														Hook	
Telescoping mode	I	1	1	2	3		1	2	3		2	3	3	3	4	I
	II	2	3	3	3		3	3	3		3	3	3	3	4	II
	III	3	3	3	3		3	3	3		3	3	3	4	4	III
	IV	3	3	3	3		3	3	3		3	3	3	4	4	IV
	V	3	3	3	2		3	3	3		3	3	3	4	4	V
	VI	3	3	2	2		3	3	2		3	3	3	4	4	VI
	VII	3	2	2	2		3	2	2		3	2	3	4	4	VII

Table 8-8 Main boom

Unit: t

Outriggers fully extended, with 0 tons counterweight, over full range																
Working radius (m)	Boom length (m)														Working radius (m)	
	14.4 ★	19.3	19.3	19.3	19.3	19.3	19.3	19.3 ★	24.2	24.2	24.2	24.2	24.2	24.2		24.2 ★
3.0	108	48.5	55	72	75	95	105								3.0	
3.5	103	46	55	72	75	95	102	23	46	62	70	75	90	90	3.5	
4.0	92	43.5	55	72	75	91	91	22	44	58	67	72	84	85	4.0	
4.5	86	41.7	55	72	75	85	85	21	41	55	64	70	79	80	4.5	
5.0	76	39.5	55	70	75	76	76	20	39	52	60	67	73	76	5.0	
6.0	60.0	36.5	49	62	61	61.0	60.0	17.5	34	45	53	60	62	60.5	6.0	
7.0	42.2	33.5	44	44.0	43.6	43.1	42.0	16	31	41	45	44.5	42.5	40.1	7.0	
8.0	30.7	31.5	33.0	33.0	32.5	31.5	30.5	14.8	28.5	35	34.1	32.8	31.1	29.0	8.0	
9.0	23.4	27	26.0	25.5	25.0	24.2	23.2	13.7	26.2	27.5	26.6	25.3	23.9	21.8	9.0	
10.0	18.0	21.0	20.5	20.0	19.5	18.5	17.9	12.8	24.5	22.2	21.2	20.0	18.5	16.6	10.0	
12.0		14.4	14.0	13.4	12.8	12.1	11.2	10.9	15.8	15.0	14.1	13.1	11.8	10.0	12.0	
14.0		10.2	9.7	9.2	8.6	7.9	7.2	10	11.5	10.7	9.9	8.9	7.7	6.1	14.0	
16.0								9	8.6	7.9	7.1	6.1	5.0	3.5	16.0	
18.0								6.8	6.6	5.9	5.1	4.2	3.2	1.5	18.0	
20.0															20.0	
22.0															22.0	
24.0															24.0	
26.0															26.0	
28.0															28.0	
30.0															30.0	
32.0															32.0	
34.0															34.0	
36.0															36.0	
38.0															38.0	
40.0															40.0	
42.0															42.0	
44.0															44.0	
46.0															46.0	
48.0															48.0	
50.0															50.0	
52.0															52.0	
54.0															54.0	
56.0															56.0	
58.0															58.0	
60.0															60.0	
62.0															62.0	
64.0															64.0	
66.0															66.0	
68.0															68.0	
70.0															70.0	
Reeving	14	13						13						Reeving		
Hook	110t														Hook	
Telescoping mode	I	1	1	1	1	1	1	1	1	1	1	1	1	1	2	Telescoping mode
	II	1	1	1	1	1	1	2	1	1	1	1	1	2	2	
	III	1	1	1	1	1	2	1	1	1	1	1	2	2	1	
	IV	1	1	1	1	2	1	1	1	1	1	2	2	1	1	
	V	1	1	1	2	1	1	1	1	1	2	2	1	1	1	
	VI	1	1	2	1	1	1	1	1	2	2	1	1	1	1	
	VII	1	2	1	1	1	1	1	3	2	1	1	1	1	1	

Table 8-8 Main boom

Unit: t

Outriggers fully extended, with 0 tons counterweight, over full range																
Working radius (m)	Boom length (m)														Working radius (m)	
	29.1	29.1	29.1	29.1	29.1	29.1	29.1★	34	34	34	34	34	34	34★		
3.0															3.0	
3.5															3.5	
4.0															4.0	
4.5	22	19	45	53	68	80	80								4.5	
5.0	21	18.2	43	51.5	65	76	76								5.0	
6.0	19.3	16.2	38	45.5	58	64	59.5	13.5	17.5	27	40.5	50	64	58.6	6.0	
7.0	18.2	14.5	35	41	45.0	43.7	40.7	12.2	16.1	25	37	44	43.8	40.8	7.0	
8.0	17	13.1	32	36	34.1	32.3	29.8	11.2	14.8	23	34	35.1	33.0	30.3	8.0	
9.0	15.7	12.1	28.5	28.0	26.6	24.8	22.6	10.3	13.7	21	31	27.8	26.0	23.5	9.0	
10.0	14.7	11.2	23.9	22.6	21.2	19.5	17.3	9.6	12.5	19.6	23.5	22.4	20.6	18.3	10.0	
12.0	12.7	9.6	16.5	15.3	14.0	12.7	10.7	8	10.8	16.8	16.6	15.1	13.6	11.6	12.0	
14.0	11.4	8.3	12.1	11.1	9.9	8.6	6.8	7.1	9.6	12.4	12.1	10.8	9.5	7.6	14.0	
16.0	10.5	7.4	9.1	8.2	7.0	5.9	4.1	6.3	8.5	9.5	9.2	8.0	6.7	4.9	16.0	
18.0	7.7	6.6	7.0	6.1	5.0	3.9	2.1	5.7	7.7	7.4	7.1	5.9	4.7	3.0	18.0	
20.0	6.0	6	5.5	4.6	3.6	2.4		5.1	6.0	5.9	5.5	4.4	3.2	1.4	20.0	
22.0	4.8	4.6	4.2	3.4	2.4	1.2		4.6	4.9	4.6	4.3	3.2	2.0		22.0	
24.0								4.2	3.9	3.6	3.3	2.3	1.1		24.0	
26.0								3.8	3.1	2.8	2.5	1.4			26.0	
28.0															28.0	
30.0															30.0	
32.0															32.0	
34.0															34.0	
36.0															36.0	
38.0															38.0	
40.0															40.0	
42.0															42.0	
44.0															44.0	
46.0															46.0	
48.0															48.0	
50.0															50.0	
52.0															52.0	
54.0															54.0	
56.0															56.0	
58.0															58.0	
60.0															60.0	
62.0															62.0	
64.0															64.0	
66.0															66.0	
68.0															68.0	
70.0															70.0	
Reeving	11							9							Reeving	
Hook	90t														Hook	
Telescoping mode	I	1	1	1	1	1	1	2	1	1	1	1	1	1	2	I
	II	1	1	1	1	1	2	2	1	1	1	1	1	2	2	II
	III	1	1	1	1	2	2	2	1	1	1	1	2	2	2	III
	IV	1	1	1	2	2	2	1	1	1	1	2	2	2	2	IV
	V	1	1	2	2	2	1	1	1	2	3	2	2	2	1	V
	VI	2	3	2	2	1	1	1	3	3	2	2	2	1	1	VI
	VII	3	2	2	1	1	1	1	3	2	2	2	1	1	1	VII

Table 8-8 Main boom

Unit: t

Outriggers fully extended, with 0 tons counterweight, over full range																	
Working radius (m)	Boom length (m)															Working radius (m)	
	38.9	38.9	38.9	38.9	38.9	38.9	38.9★	43.8	43.8	43.8	43.8	43.8	43.8	43.8★			
3.0																3.0	
3.5																3.5	
4.0																4.0	
4.5																4.5	
5.0																5.0	
6.0																6.0	
7.0	13.4	17.3	19	24	40	44.0	41.0									7.0	
8.0	12.3	16.1	17.5	22.3	37.2	33.6	30.9									8.0	
9.0	11.5	14.9	16.1	20.6	28.6	26.6	24.1	12	14.7	17.5	22.1	27.5	27.5	24.9		9.0	
10.0	10.7	13.8	14.9	19	23.6	21.7	19.4	11.5	13.7	16.2	20.7	23.0	22.5	20.3		10.0	
12.0	9.1	12	12.7	16.2	16.3	14.6	12.5	9.9	11.5	14	17.6	16.1	15.7	13.6		12.0	
14.0	8	10.8	11.2	12.2	11.8	10.4	8.5	8.8	10	12.5	12.0	11.7	11.3	9.4		14.0	
16.0	7.1	9.7	10	9.3	8.9	7.5	5.8	7.9	9	9.6	9.0	8.7	8.4	6.6		16.0	
18.0	6.4	8.8	7.4	7.1	6.8	5.5	3.8	7.2	8	7.5	6.9	6.7	6.3	4.6		18.0	
20.0	5.9	6.3	5.9	5.6	5.3	4.0	2.3	6.6	6.3	5.9	5.4	5.0	4.8	3.2		20.0	
22.0	5.3	5.0	4.6	4.3	4.1	2.8	1.2	6	5.0	4.6	4.1	3.9	3.6	1.9		22.0	
24.0	4.9	4.1	3.6	3.4	3.1	1.8		4.6	4.1	3.6	3.2	2.9	2.6			24.0	
26.0	3.6	3.2	2.8	2.6	2.3	1.1		3.8	3.2	2.9	2.3	2.0	1.8			26.0	
28.0	3.0	2.6	2.0	1.8	1.5			3.1	2.5	2.0	1.6	1.4	1.1			28.0	
30.0	2.3	1.9	1.5	1.3				2.5	1.9	1.5	1.1					30.0	
32.0	1.8	1.4						1.9	1.4							32.0	
34.0								1.4								34.0	
36.0								1.1								36.0	
38.0																38.0	
40.0																40.0	
42.0																42.0	
44.0																44.0	
46.0																46.0	
48.0																48.0	
50.0																50.0	
52.0																52.0	
54.0																54.0	
56.0																56.0	
58.0																58.0	
60.0																60.0	
62.0																62.0	
64.0																64.0	
66.0																66.0	
68.0																68.0	
70.0																70.0	
Reeving	8								6								Reeving
Hook	90t								55t								Hook
Telescoping mode	I	1	1	1	1	1	1	2	1	1	1	1	1	1	2	I	
	II	1	1	1	1	1	2	2	1	1	1	1	1	2	2	II	
	III	1	1	1	1	2	2	2	1	1	1	2	3	2	2	III	
	IV	1	1	2	3	2	2	2	1	2	3	3	2	2	2	IV	
	V	2	3	3	2	2	2	2	3	3	3	2	2	2	2	V	
	VI	3	3	2	2	2	2	2	1	3	3	2	2	2	2	VI	
	VII	3	2	2	2	2	1	1	3	2	2	2	2	2	1	VII	

Table 8-8 Main boom

Unit: t

Outriggers fully extended, with 0 tons counterweight, over full range																
Working radius (m)	Boom length (m)															Working radius (m)
	48.7	48.7	48.7	48.7	48.7	48.7	48.7★	53.6	53.6	53.6	53.6	53.6	53.6	53.6		
3.0																3.0
3.5																3.5
4.0																4.0
4.5																4.5
5.0																5.0
6.0																6.0
7.0																7.0
8.0																8.0
9.0																9.0
10.0	12.2	14.7	17.5	22	22.1	21.8	21.1									10.0
12.0	10.7	12.5	15	16.4	15.7	15.3	14.7	11	13.2	15.8	15.8	15.2	14.4	13.9		12.0
14.0	9.6	11.2	13.3	11.9	11.3	10.9	10.4	10	12	12.2	11.4	10.9	10.1	9.6		14.0
16.0	8.7	9.7	9.4	8.9	8.3	8.0	7.5	9.2	10.9	9.3	8.6	8.0	7.3	6.8		16.0
18.0	7.7	7.9	7.3	6.8	6.2	5.9	5.5	8.3	7.7	7.1	6.4	5.9	5.2	4.8		18.0
20.0	6.7	6.3	5.7	5.2	4.7	4.4	4.0	7.6	6.1	5.5	4.9	4.4	3.7	3.3		20.0
22.0	5.6	5.0	4.4	4.0	3.5	3.2	2.8	5.5	4.9	4.2	3.6	3.2	2.5	2.0		22.0
24.0	4.5	4.1	3.4	3.1	2.5	2.1	1.7	4.5	3.8	3.2	2.7	2.1	1.5	1.1		24.0
26.0	3.7	3.2	2.6	2.1	1.6	1.4		3.7	3.0	2.5	1.8	1.4				26.0
28.0	3.1	2.5	1.9	1.4				3.0	2.3	1.7	1.2					28.0
30.0	2.4	1.9	1.4					2.3	1.6	1.2						30.0
32.0	1.8	1.4						1.8	1.2							32.0
34.0	1.4							1.4								34.0
36.0																36.0
38.0																38.0
40.0																40.0
42.0																42.0
44.0																44.0
46.0																46.0
48.0																48.0
50.0																50.0
52.0																52.0
54.0																54.0
56.0																56.0
58.0																58.0
60.0																60.0
62.0																62.0
64.0																64.0
66.0																66.0
68.0																68.0
70.0																70.0
Reeving	5							4							Reeving	
Hook	55t															Hook
Telescoping mode	I	1	1	1	1	1	1	2	1	1	1	1	1	2	3	I
	II	1	1	1	1	2	3	2	1	1	1	2	3	3	2	II
	III	1	1	2	3	3	2	2	1	2	3	3	3	2	2	III
	IV	2	3	3	3	2	2	2	3	3	3	3	2	2	2	IV
	V	3	3	3	2	2	2	2	3	3	3	2	2	2	2	V
	VI	3	3	2	2	2	2	2	3	3	2	2	2	2	2	VI
	VII	3	2	2	2	2	2	2	3	2	2	2	2	2	2	VII

Table 8-8 Main boom

Unit: t

Outriggers fully extended, with 0 tons counterweight, over full range															
Working radius (m)	Boom length (m)														Working radius (m)
	58.5	58.5	58.5	58.5	58.5	58.5 ★				63.4	63.4	63.4	63.4	63.4 ★	
3.0															3.0
3.5															3.5
4.0															4.0
4.5															4.5
5.0															5.0
6.0															6.0
7.0															7.0
8.0															8.0
9.0															9.0
10.0															10.0
12.0															12.0
14.0	10.5	12	11.9	11.2	10.3	9.5				10.7	13.5	11.7	10.5	9.6	14.0
16.0	9.6	9.7	8.9	8.2	7.3	6.7				9.5	9.5	8.6	7.6	6.8	16.0
18.0	9	7.6	6.8	6.1	5.3	4.7				8.1	7.2	6.5	5.5	4.8	18.0
20.0	6.6	5.9	5.1	4.6	3.8	3.2				6.4	5.6	4.9	4.0	3.2	20.0
22.0	5.3	4.7	4.0	3.3	2.5	1.9				5.1	4.3	3.7	2.8	2.0	22.0
24.0	4.2	3.7	3.0	2.4	1.5					4.1	3.3	2.7	1.7		24.0
26.0	3.4	2.9	2.0	1.5						3.2	2.5	1.8			26.0
28.0	2.7	2.0	1.4							2.6	1.7	1.1			28.0
30.0	2.0	1.5								1.9	1.2				30.0
32.0	1.5									1.4					32.0
34.0	1.2														34.0
36.0															36.0
38.0															38.0
40.0															40.0
42.0															42.0
44.0															44.0
46.0															46.0
48.0															48.0
50.0															50.0
52.0															52.0
54.0															54.0
56.0															56.0
58.0															58.0
60.0															60.0
62.0															62.0
64.0															64.0
66.0															66.0
68.0															68.0
70.0															70.0
Reeving	4									3					Reeving
Hook	55t									25t					Hook
Telescoping mode	I	1	1	1	1	2	3			1	1	1	2	3	I
	II	1	1	2	3	3	3			1	2	3	3	3	II
	III	2	3	3	3	3	2			3	3	3	3	3	III
	IV	3	3	3	3	2	2			3	3	3	3	2	IV
	V	3	3	3	2	2	2			3	3	3	2	2	V
	VI	3	3	2	2	2	2			3	3	2	2	2	VI
	VII	3	2	2	2	2	2			3	2	2	2	2	VII

Table 8-8 Main boom

Unit: t

Outriggers fully extended, with 0 tons counterweight, over full range																
Working radius (m)	Boom length (m)														Working radius (m)	
	68.3	68.3	68.3	68.3 ★		73.2	73.2	73.2 ★		78.1	78.1 ★	83 ★	86.2 ★	88 ★		
6.0															6.0	
7.0															7.0	
8.0															8.0	
9.0															9.0	
10.0															10.0	
12.0															12.0	
14.0															14.0	
16.0	10.5	9.2	8.0	7.1											16.0	
18.0	7.7	6.9	5.9	5.0		7.5	6.4	5.5							18.0	
20.0	6.1	5.3	4.3	3.5		5.9	4.8	3.9		5.3	4.3				20.0	
22.0	4.8	4.1	3.1	2.1		4.5	3.5	2.6		4.1	3.1	3.6			22.0	
24.0	3.8	3.1	2.0	1.3		3.5	2.5	1.5		3.0	2.0	2.5	2.7	2.6	24.0	
26.0	3.0	2.1	1.3			2.7	1.6			2.0	1.2	1.6	1.8	1.7	26.0	
28.0	2.1	1.4				1.9				1.4					28.0	
30.0	1.5					1.3									30.0	
32.0	1.1														32.0	
34.0															34.0	
36.0															36.0	
38.0															38.0	
40.0															40.0	
42.0															42.0	
44.0															44.0	
46.0															46.0	
48.0															48.0	
50.0															50.0	
52.0															52.0	
54.0															54.0	
56.0															56.0	
58.0															58.0	
60.0															60.0	
62.0															62.0	
64.0															64.0	
66.0															66.0	
68.0															68.0	
70.0															70.0	
72.0															72.0	
74.0															74.0	
Reeving	3					3					2		2	2	2	Reeving
Hook	25t														Hook	
Telescoping mode	I	1	1	2	3		1	2	3		2	3	3	3	4	I
	II	2	3	3	3		3	3	3		3	3	3	3	4	II
	III	3	3	3	3		3	3	3		3	3	3	4	4	III
	IV	3	3	3	3		3	3	3		3	3	3	4	4	IV
	V	3	3	3	2		3	3	3		3	3	3	4	4	V
	VI	3	3	2	2		3	3	2		3	3	3	4	4	VI
	VII	3	2	2	2		3	2	2		3	2	3	4	4	VII

Table 8-9 Main boom

Unit: t

Outriggers intermediately extended, with 45 tons counterweight, counterweight moved backwards, over full range																
Working radius (m)	Boom length (m)														Working radius (m)	
	14.4 ★	19.3	19.3	19.3	19.3	19.3	19.3	19.3 ★	24.2	24.2	24.2	24.2	24.2	24.2		24.2 ★
3.0	120	48.5	55	72	75	95	110								3.0	
3.5	112	46	55	72	75	95	105	23	46	62	70	75	90	90	3.5	
4.0	102	43.5	55	72	75	95	98	22	44	58	67	72	84	85	4.0	
4.5	95	41.7	55	72	75	92	93	21	41	55	64	70	79	80	4.5	
5.0	88	39.5	55	70	75	84	86	20	39	52	60	67	73	76	5.0	
6.0	73	36.5	49	63	73	73	73	17.5	34	45	53	60	65	70	6.0	
7.0	63	33.5	44.5	57.5	63	63	63	16	31	41	47	62	62	62	7.0	
8.0	54.0	31.5	40.5	53	54	54	54.0	14.8	28.5	38	44	54	54	54	8.0	
9.0	44.0	29.5	37.5	47	46.1	45.4	44.6	13.7	26.2	35	40	46	45.1	43.4	9.0	
10.0	37.0	27.5	34	39.0	38.5	38.1	37.3	12.8	24.5	32.5	37	39.0	37.8	36.2	10.0	
12.0		24.5	30	29.3	28.8	28.1	27.5	10.9	20.5	27.5	31	29.0	27.9	26.4	12.0	
14.0		22.5	23.3	22.9	22.3	21.7	21.1	10	18.5	24	23.4	22.5	21.5	20.1	14.0	
16.0								9	16.5	19.6	18.9	18.0	17.1	15.7	16.0	
18.0								8.2	15	16.2	15.6	14.7	13.8	12.3	18.0	
20.0															20.0	
22.0															22.0	
24.0															24.0	
26.0															26.0	
28.0															28.0	
30.0															30.0	
32.0															32.0	
34.0															34.0	
36.0															36.0	
38.0															38.0	
40.0															40.0	
42.0															42.0	
44.0															44.0	
46.0															46.0	
48.0															48.0	
50.0															50.0	
52.0															52.0	
54.0															54.0	
56.0															56.0	
58.0															58.0	
60.0															60.0	
62.0															62.0	
64.0															64.0	
66.0															66.0	
68.0															68.0	
70.0															70.0	
Reeving	14	13						13						Reeving		
Hook	110t														Hook	
Telescoping mode	I	1	1	1	1	1	1	1	1	1	1	1	1	1	2	Telescoping mode
	II	1	1	1	1	1	1	2	1	1	1	1	1	2	2	
	III	1	1	1	1	1	2	1	1	1	1	1	2	2	1	
	IV	1	1	1	1	2	1	1	1	1	1	2	2	1	1	
	V	1	1	1	2	1	1	1	1	1	2	2	1	1	1	
	VI	1	1	2	1	1	1	1	1	1	2	2	1	1	1	
	VII	1	2	1	1	1	1	1	3	2	1	1	1	1	1	



Table 8-9 Main boom

Unit: t

Outriggers intermediately extended, with 45 tons counterweight, counterweight moved backwards, over full range																
Working radius (m)	Boom length (m)														Working radius (m)	
	29.1	29.1	29.1	29.1	29.1	29.1	29.1★	34	34	34	34	34	34	34★		
3.0															3.0	
3.5															3.5	
4.0															4.0	
4.5	22	19	45	53	68	80	80								4.5	
5.0	21	18.2	43	51.5	65	78	76								5.0	
6.0	19.3	16.2	38	45.5	60	70	70	13.5	17.5	27	40.5	50	65	68	6.0	
7.0	18.2	14.5	35	41	55	62	62	12.2	16.1	25	37	46	60	63	7.0	
8.0	17	13.1	32	37.5	49	54	54	11.2	14.8	23	34	42	54	55	8.0	
9.0	15.7	12.1	30	34.5	46.5	46.0	44.1	10.3	13.7	21	31.5	39	46	45.1	9.0	
10.0	14.7	11.2	27.6	32	39	38.6	36.8	9.6	12.5	19.6	29	36.5	39.6	37.7	10.0	
12.0	12.7	9.6	24	27	29.9	28.7	27.0	8	10.8	16.8	24.5	30.8	29.5	27.8	12.0	
14.0	11.4	8.3	21	24	23.4	22.2	20.6	7.1	9.6	14.9	22	24.3	23.0	21.4	14.0	
16.0	10.5	7.4	18.6	21.5	18.9	17.7	16.2	6.3	8.5	13	19.5	19.7	18.5	16.9	16.0	
18.0	9.6	6.6	17	16.5	15.5	14.4	13.0	5.7	7.7	11.8	17.7	16.4	15.2	13.6	18.0	
20.0	8.8	6	15.4	13.9	13.0	11.9	10.4	5.1	7.1	10.7	16	13.8	12.6	11.1	20.0	
22.0	8.1	5.4	12.6	11.8	10.9	9.8	8.4	4.6	6.4	9.9	12.7	11.7	10.5	9.1	22.0	
24.0								4.2	5.9	9.1	11.0	10.0	8.9	7.5	24.0	
26.0								3.8	5.4	8.4	9.5	8.6	7.6	6.0	26.0	
28.0															28.0	
30.0															30.0	
32.0															32.0	
34.0															34.0	
36.0															36.0	
38.0															38.0	
40.0															40.0	
42.0															42.0	
44.0															44.0	
46.0															46.0	
48.0															48.0	
50.0															50.0	
52.0															52.0	
54.0															54.0	
56.0															56.0	
58.0															58.0	
60.0															60.0	
62.0															62.0	
64.0															64.0	
66.0															66.0	
68.0															68.0	
70.0															70.0	
Reeving	11							9							Reeving	
Hook	90t														Hook	
Telescoping mode	I	1	1	1	1	1	1	2	1	1	1	1	1	1	2	I
	II	1	1	1	1	1	2	2	1	1	1	1	1	2	2	II
	III	1	1	1	1	2	2	2	1	1	1	1	2	2	2	III
	IV	1	1	1	2	2	2	1	1	1	1	2	2	2	2	IV
	V	1	1	2	2	2	1	1	1	2	3	2	2	2	1	V
	VI	2	3	2	2	1	1	1	3	3	2	2	2	1	1	VI
	VII	3	2	2	1	1	1	1	3	2	2	2	1	1	1	VII

Table 8-9 Main boom

Unit: t

Outriggers intermediately extended, with 45 tons counterweight, counterweight moved backwards, over full range																
Working radius (m)	Boom length (m)															Working radius (m)
	38.9	38.9	38.9	38.9	38.9	38.9	38.9★	43.8	43.8	43.8	43.8	43.8	43.8	43.8	43.8★	
3.0																3.0
3.5																3.5
4.0																4.0
4.5																4.5
5.0																5.0
6.0																6.0
7.0	13.4	17.3	19	24	40	51	57									7.0
8.0	12.3	16.1	17.5	22.3	37.2	47.5	55									8.0
9.0	11.5	14.9	16.1	20.6	34.5	44	45.5	12	14.7	17.5	22.1	27.5	38	48		9.0
10.0	10.7	13.8	14.9	19	32.5	41.5	38.7	11.5	13.7	16.2	20.7	25.8	36	39.8		10.0
12.0	9.1	12	12.7	16.2	27.5	30.5	28.7	9.9	11.5	14	17.6	22.3	31.7	29.7		12.0
14.0	8	10.8	11.2	14.2	25	23.9	22.2	8.8	10	12.5	15.7	19.5	24.8	23.1		14.0
16.0	7.1	9.7	10	12.5	22.5	19.4	17.7	7.9	9	11	13.8	17.3	20.2	18.5		16.0
18.0	6.4	8.8	9	11.3	17.2	15.9	14.4	7.2	8	10	12.5	15.5	16.7	15.2		18.0
20.0	5.9	8	8	10.2	14.6	13.3	11.8	6.6	7.3	9	11.3	14	14.1	12.6		20.0
22.0	5.3	7.2	7.3	9.3	12.5	11.3	9.8	6	6.6	8.2	10.2	12.8	12.1	10.5		22.0
24.0	4.9	6.8	6.7	8.5	10.8	9.6	8.2	5.6	6	7.6	9.4	11.7	10.4	8.9		24.0
26.0	4.6	6.3	6.1	7.8	9.4	8.3	6.8	5.2	5.5	6.9	8.6	9.3	8.9	7.5		26.0
28.0	4.2	5.9	5.6	7.2	8.2	7.1	5.6	4.8	5	6.4	7.9	8.0	7.7	6.4		28.0
30.0	3.9	5.5	5.1	6.6	7.2	6.0	4.7	4.5	4.6	5.9	7.3	7.0	6.8	5.3		30.0
32.0	3.6	5.1	4.7	6	6.3	5.2	3.8	4.2	4.3	5.5	6.8	6.1	5.9	4.5		32.0
34.0								3.9	3.9	5	5.6	5.4	5.1	3.8		34.0
36.0								3.6	3.6	4.7	5.0	4.7	4.5	3.1		36.0
38.0																38.0
40.0																40.0
42.0																42.0
44.0																44.0
46.0																46.0
48.0																48.0
50.0																50.0
52.0																52.0
54.0																54.0
56.0																56.0
58.0																58.0
60.0																60.0
62.0																62.0
64.0																64.0
66.0																66.0
68.0																68.0
70.0																70.0
Reeving	8							6							Reeving	
Hook	90t							55t							Hook	
Telescoping mode	I	1	1	1	1	1	1	2	1	1	1	1	1	1	2	I
	II	1	1	1	1	1	2	2	1	1	1	1	1	2	2	II
	III	1	1	1	1	2	2	2	1	1	1	2	3	2	2	III
	IV	1	1	2	3	2	2	2	1	2	3	3	2	2	2	IV
	V	2	3	3	2	2	2	2	3	3	3	2	2	2	2	V
	VI	3	3	2	2	2	2	1	3	3	2	2	2	2	2	VI
	VII	3	2	2	2	2	1	1	3	2	2	2	2	2	1	VII

Table 8-9 Main boom

Unit: t

Outriggers intermediately extended, with 45 tons counterweight, counterweight moved backwards, over full range																
Working radius (m)	Boom length (m)														Working radius (m)	
	48.7	48.7	48.7	48.7	48.7	48.7	48.7★	53.6	53.6	53.6	53.6	53.6	53.6	53.6		
3.0																3.0
3.5																3.5
4.0																4.0
4.5																4.5
5.0																5.0
6.0																6.0
7.0																7.0
8.0																8.0
9.0																9.0
10.0	12.2	14.7	17.5	22	26.3	27	39									10.0
12.0	10.7	12.5	15	19.2	22.8	23.5	30.7	11	13.2	15.8	20.5	21.5	25	30		12.0
14.0	9.6	11.2	13.3	17	20	21	24.0	10	12	14.3	18.6	19.3	22	23.5		14.0
16.0	8.7	10	12	15.1	17.6	18.5	19.4	9.2	10.9	13	16.8	17	20	18.9		16.0
18.0	7.7	9	11	13.7	16	16.5	16.0	8.3	9.7	11.8	15	15.3	15.8	15.5		18.0
20.0	6.9	8.1	10	12.5	14.3	14.8	13.4	7.6	8.9	10.8	13.6	14	13.2	12.9		20.0
22.0	6.3	7.3	9.1	11.4	13	11.7	11.3	7	8.2	10	12.5	12.6	11.2	10.7		22.0
24.0	5.8	6.8	8.5	10.5	10.3	10.1	9.6	6.4	7.5	9.3	11.3	10.1	9.5	9.1		24.0
26.0	5.3	6.3	7.9	9.7	8.9	8.6	8.3	5.9	6.9	8.6	9.1	8.6	8.0	7.7		26.0
28.0	4.8	5.8	7.3	9	7.7	7.5	7.0	5.4	6.4	8	7.8	7.5	6.8	6.5		28.0
30.0	4.4	5.3	6.8	7.1	6.7	6.5	6.0	5	5.9	7.5	6.8	6.5	5.9	5.5		30.0
32.0	4.1	4.9	6.3	6.3	5.9	5.6	5.2	4.6	5.5	7	5.9	5.6	5.0	4.7		32.0
34.0	3.8	4.6	5.8	5.5	5.0	4.9	4.4	4.3	5.2	5.8	5.2	4.8	4.2	3.9		34.0
36.0	3.5	4.3	5.3	4.9	4.4	4.1	3.8	4	4.8	5.0	4.5	4.1	3.6	3.2		36.0
38.0	3.2	4	4.9	4.2	3.8	3.6	3.2	3.7	4.5	4.5	4.0	3.5	3.0	2.6		38.0
40.0	3	3.7	4.1	3.7	3.2	3.1	2.6	3.4	4.2	4.0	3.4	3.0	2.4	2.0		40.0
42.0								3.3	4	3.4	2.9	2.5	1.9	1.5		42.0
44.0								3	3.8	3.0	2.4	2.0	1.4	1.1		44.0
46.0																46.0
48.0																48.0
50.0																50.0
52.0																52.0
54.0																54.0
56.0																56.0
58.0																58.0
60.0																60.0
62.0																62.0
64.0																64.0
66.0																66.0
68.0																68.0
70.0																70.0
Reeving	5							4							Reeving	
Hook	55t														Hook	
Telescoping mode	I	1	1	1	1	1	1	2	1	1	1	1	1	2	3	I
	II	1	1	1	1	2	3	2	1	1	1	2	3	3	2	II
	III	1	1	2	3	3	2	2	1	2	3	3	3	2	2	III
	IV	2	3	3	3	2	2	2	3	3	3	3	2	2	2	IV
	V	3	3	3	2	2	2	2	3	3	3	2	2	2	2	V
	VI	3	3	2	2	2	2	2	3	3	2	2	2	2	2	VI
	VII	3	2	2	2	2	2	2	3	2	2	2	2	2	2	VII

Table 8-9 Main boom

Unit: t

Outriggers intermediately extended, with 45 tons counterweight, counterweight moved backwards, over full range																
Working radius (m)	Boom length (m)														Working radius (m)	
	58.5	58.5	58.5	58.5	58.5	58.5★					63.4	63.4	63.4	63.4		63.4★
3.0																3.0
3.5																3.5
4.0																4.0
4.5																4.5
5.0																5.0
6.0																6.0
7.0																7.0
8.0																8.0
9.0																9.0
10.0																10.0
12.0																12.0
14.0	10.5	12.6	15.2	18	20.5	23				10.7	13.5	15.8	18	19	14.0	
16.0	9.6	11.5	14.3	16.6	19	18.8				10.1	12.5	15.1	17.7	18.7	16.0	
18.0	9	10.5	13	15	17.2	15.4				9.3	11.5	13.9	16.2	15.6	18.0	
20.0	8.2	9.6	12.1	13.6	13.3	12.8				8.7	10.5	12.8	14.5	12.9	20.0	
22.0	7.6	8.9	11.2	12	11.3	10.6				8.1	9.7	11.5	11.5	10.8	22.0	
24.0	7	8.2	10.3	11	9.5	9.0				7.5	9	10.5	9.7	9.1	24.0	
26.0	6.4	7.6	9.7	8.8	8.1	7.6				7	8.4	9.6	8.4	7.7	26.0	
28.0	5.9	7	9	7.7	6.9	6.4				6.5	7.9	8.8	7.1	6.5	28.0	
30.0	5.5	6.6	7.1	6.6	5.9	5.4				6	7.4	6.9	6.1	5.5	30.0	
32.0	5.1	6.1	6.2	5.8	5.0	4.5				5.7	6.9	6.0	5.2	4.6	32.0	
34.0	4.8	5.7	5.5	5.0	4.2	3.8				5.3	6.5	5.2	4.5	3.9	34.0	
36.0	4.5	5.4	4.8	4.3	3.6	3.1				5	5.1	4.6	3.8	3.2	36.0	
38.0	4.2	5.1	4.1	3.7	3.0	2.5				4.7	4.5	4.0	3.2	2.5	38.0	
40.0	4	4.2	3.6	3.2	2.4	1.9				4.2	4.0	3.4	2.6	2.0	40.0	
42.0	3.7	3.8	3.2	2.7	1.9	1.4				4.1	3.5	2.9	2.0	1.4	42.0	
44.0	3.5	3.3	2.7	2.1	1.4					3.9	3.1	2.5	1.6	1.1	44.0	
46.0	3.3	2.9	2.3	1.7	1.1					3.7	2.6	2.0	1.3		46.0	
48.0	3	2.5	1.9	1.4						2.9	2.1	1.6			48.0	
50.0	2.8	2.1	1.5	1.1						2.6	1.8	1.3			50.0	
52.0										2.1	1.5				52.0	
54.0										1.9	1.3				54.0	
56.0															56.0	
58.0															58.0	
60.0															60.0	
62.0															62.0	
64.0															64.0	
66.0															66.0	
68.0															68.0	
70.0															70.0	
Reeving	4										3					Reeving
Hook	55t										25t					Hook
Telescoping mode	I	1	1	1	1	2	3				1	1	1	2	3	I
	II	1	1	2	3	3	3				1	2	3	3	3	II
	III	2	3	3	3	3	2				3	3	3	3	3	III
	IV	3	3	3	3	2	2				3	3	3	3	2	IV
	V	3	3	3	2	2	2				3	3	3	2	2	V
	VI	3	3	2	2	2	2				3	3	2	2	2	VI
	VII	3	2	2	2	2	2				3	2	2	2	2	VII

Table 8-9 Main boom

Unit: t

Outriggers intermediately extended, with 45 tons counterweight, counterweight moved backwards, over full range																
Working radius (m)	Boom length (m)														Working radius (m)	
	68.3	68.3	68.3	68.3 ★		73.2	73.2	73.2 ★		78.1	78.1 ★	83 ★	86.2 ★	88 ★		
6.0															6.0	
7.0															7.0	
8.0															8.0	
9.0															9.0	
10.0															10.0	
12.0															12.0	
14.0															14.0	
16.0	10.5	13	14.5	15.5											16.0	
18.0	9.9	12.2	14	15		10	10.8	11.5							18.0	
20.0	9.3	11.3	13.5	14.5		9.7	10.5	11.2		8.2	9				20.0	
22.0	8.7	10.6	12.6	11.1		9.2	10.1	10.8		8	8.7	7.1			22.0	
24.0	8.2	9.8	10.2	9.4		8.7	9.7	10.4		7.8	8.4	7	6	5.7	24.0	
26.0	7.6	9.2	8.6	7.9		8.2	9.3	8.3		7.6	8.2	6.8	5.8	5.6	26.0	
28.0	7	8.6	7.5	6.8		7.8	7.9	7.1		7.4	8	6.6	5.7	5.5	28.0	
30.0	6.6	7.9	6.4	5.7		7.3	6.8	6.0		7.2	6.5	6.4	5.6	5.4	30.0	
32.0	6.2	6.4	5.6	4.9		6.9	5.9	5.1		7	5.6	6.2	5.5	5.3	32.0	
34.0	5.8	5.6	4.8	4.1		6.5	5.1	4.4		5.6	4.8	5.2	5.4	5.2	34.0	
36.0	5.5	5.0	4.1	3.4		5.3	4.4	3.7		4.9	4.1	4.5	4.7	5.1	36.0	
38.0	5.2	4.3	3.5	2.8		4.7	3.9	3.1		4.2	3.4	3.9	4.1	4.0	38.0	
40.0	4.9	3.8	3.0	2.1		4.1	3.3	2.5		3.7	2.9	3.3	3.5	3.4	40.0	
42.0	3.9	3.2	2.4	1.7		3.6	2.8	2.0		3.2	2.4	2.8	3.0	2.9	42.0	
44.0	3.4	2.8	1.9	1.3		3.2	2.3	1.5		2.7	1.9	2.3	2.5	2.4	44.0	
46.0	3.0	2.4	1.5			2.8	1.9	1.2		2.3	1.4	1.9	2.0	1.9	46.0	
48.0	2.6	2.0	1.2			2.4	1.5			1.9	1.1	1.5	1.6	1.5	48.0	
50.0	2.3	1.6				2.0	1.2			1.5		1.2	1.3	1.2	50.0	
52.0	1.9	1.3				1.6				1.3					52.0	
54.0	1.6					1.4									54.0	
56.0	1.4					1.1									56.0	
58.0	1.1														58.0	
60.0															60.0	
62.0															62.0	
64.0															64.0	
66.0															66.0	
68.0															68.0	
70.0															70.0	
72.0															72.0	
74.0															74.0	
Reeving	3					3					2		2	2	2	Reeving
Hook	25t														Hook	
Telescoping mode	I	1	1	2	3		1	2	3		2	3	3	3	4	I
	II	2	3	3	3		3	3	3		3	3	3	3	4	II
	III	3	3	3	3		3	3	3		3	3	3	4	4	III
	IV	3	3	3	3		3	3	3		3	3	3	4	4	IV
	V	3	3	3	2		3	3	3		3	3	3	4	4	V
	VI	3	3	2	2		3	3	2		3	3	3	4	4	VI
	VII	3	2	2	2		3	2	2		3	2	3	4	4	VII

Table 8-10 Main boom

Unit: t

Outriggers intermediately extended, with 36 tons counterweight, counterweight moved backwards, over full range																
Working radius (m)	Boom length (m)														Working radius (m)	
	14.4 ★	19.3	19.3	19.3	19.3	19.3	19.3	19.3 ★	24.2	24.2	24.2	24.2	24.2	24.2		24.2 ★
3.0	117	48.5	55	72	75	95	110								3.0	
3.5	109	46	55	72	75	95	105	23	46	62	70	75	90	90	3.5	
4.0	98	43.5	55	72	75	95	98	22	44	58	67	72	84	85	4.0	
4.5	92	41.7	55	72	75	92	93	21	41	55	64	70	79	80	4.5	
5.0	84	39.5	55	70	75	84	84	20	39	52	60	67	71	73	5.0	
6.0	69	36.5	49	63	69	69	69	17.5	34	45	53	60	65	69	6.0	
7.0	58.0	33.5	44.5	57.5	59	58.0	58.0	16	31	41	47	59	58	58	7.0	
8.0	46.4	31.5	40.5	53	47.9	47.1	46.3	14.8	28.5	38	44	47.5	46.5	45.0	8.0	
9.0	37.6	29.5	37.5	39.7	39.1	38.3	37.5	13.7	26.2	35	40	39.3	38.1	36.4	9.0	
10.0	31.3	27.5	34	33.2	32.7	32.0	31.2	12.8	24.5	32.5	37	32.9	31.8	30.2	10.0	
12.0		24.5	25.0	24.6	24.0	23.4	22.7	10.9	20.5	27.5	25.2	24.2	23.1	21.6	12.0	
14.0		19.8	19.4	18.9	18.5	17.8	17.1	10	18.5	20.3	19.5	18.6	17.6	16.2	14.0	
16.0								9	16.5	16.3	15.6	14.8	13.8	12.3	16.0	
18.0								8.2	15	13.3	12.6	11.8	10.9	9.5	18.0	
20.0															20.0	
22.0															22.0	
24.0															24.0	
26.0															26.0	
28.0															28.0	
30.0															30.0	
32.0															32.0	
34.0															34.0	
36.0															36.0	
38.0															38.0	
40.0															40.0	
42.0															42.0	
44.0															44.0	
46.0															46.0	
48.0															48.0	
50.0															50.0	
52.0															52.0	
54.0															54.0	
56.0															56.0	
58.0															58.0	
60.0															60.0	
62.0															62.0	
64.0															64.0	
66.0															66.0	
68.0															68.0	
70.0															70.0	
Reeving	14	13						13						Reeving		
Hook	110t														Hook	
Telescoping mode	I	1	1	1	1	1	1	1	1	1	1	1	1	1	2	Telescoping mode
	II	1	1	1	1	1	1	2	1	1	1	1	1	2	2	
	III	1	1	1	1	1	2	1	1	1	1	1	2	2	1	
	IV	1	1	1	1	2	1	1	1	1	1	2	2	1	1	
	V	1	1	1	2	1	1	1	1	1	2	2	1	1	1	
	VI	1	1	2	1	1	1	1	1	1	2	2	1	1	1	
	VII	1	2	1	1	1	1	1	3	2	1	1	1	1	1	

Table 8-10 Main boom

Unit: t

Outriggers intermediately extended, with 36 tons counterweight, counterweight moved backwards, over full range																
Working radius (m)	Boom length (m)														Working radius (m)	
	29.1	29.1	29.1	29.1	29.1	29.1	29.1★	34	34	34	34	34	34	34★		
3.0															3.0	
3.5															3.5	
4.0															4.0	
4.5	22	19	45	53	68	80	80								4.5	
5.0	21	18.2	43	51.5	65	78	73								5.0	
6.0	19.3	16.2	38	45.5	60	70	69	13.5	17.5	27	40.5	50	65	65	6.0	
7.0	18.2	14.5	35	41	55	60	57.8	12.2	16.1	25	37	46	60	61	7.0	
8.0	17	13.1	32	37.5	49	47.8	45.7	11.2	14.8	23	34	42	48.0	46.7	8.0	
9.0	15.7	12.1	30	34.5	40.4	39.0	37.1	10.3	13.7	21	31.5	39	40.0	38.0	9.0	
10.0	14.7	11.2	27.6	32	33.9	32.6	30.8	9.6	12.5	19.6	29	36.5	33.6	31.7	10.0	
12.0	12.7	9.6	24	27	25.2	23.9	22.2	8	10.8	16.8	24.5	26.1	24.8	23.0	12.0	
14.0	11.4	8.3	21	20.5	19.5	18.4	16.7	7.1	9.6	14.9	22	20.4	19.2	17.5	14.0	
16.0	10.5	7.4	18.6	16.6	15.6	14.4	12.9	6.3	8.5	13	17.5	16.4	15.2	13.6	16.0	
18.0	9.6	6.6	14.4	13.6	12.6	11.5	10.1	5.7	7.7	11.8	14.5	13.5	12.2	10.7	18.0	
20.0	8.8	6	12.2	11.3	10.4	9.4	7.8	5.1	7.1	10.7	12.2	11.2	10.1	8.6	20.0	
22.0	8.1	5.4	10.4	9.5	8.6	7.6	6.1	4.6	6.4	9.9	10.4	9.4	8.3	6.8	22.0	
24.0								4.2	5.9	9.1	8.9	7.9	6.8	5.4	24.0	
26.0								3.8	5.4	8.4	7.7	6.8	5.6	4.1	26.0	
28.0															28.0	
30.0															30.0	
32.0															32.0	
34.0															34.0	
36.0															36.0	
38.0															38.0	
40.0															40.0	
42.0															42.0	
44.0															44.0	
46.0															46.0	
48.0															48.0	
50.0															50.0	
52.0															52.0	
54.0															54.0	
56.0															56.0	
58.0															58.0	
60.0															60.0	
62.0															62.0	
64.0															64.0	
66.0															66.0	
68.0															68.0	
70.0															70.0	
Reeving	11							9							Reeving	
Hook	90t														Hook	
Telescoping mode	I	1	1	1	1	1	1	2	1	1	1	1	1	1	2	I
	II	1	1	1	1	1	2	2	1	1	1	1	1	2	2	II
	III	1	1	1	1	2	2	2	1	1	1	1	2	2	2	III
	IV	1	1	1	2	2	2	1	1	1	1	2	2	2	2	IV
	V	1	1	2	2	2	1	1	1	2	3	2	2	2	1	V
	VI	2	3	2	2	1	1	1	3	3	2	2	2	1	1	VI
	VII	3	2	2	1	1	1	1	3	2	2	2	1	1	1	VII

Table 8-10 Main boom

Unit: t

Outriggers intermediately extended, with 36 tons counterweight, counterweight moved backwards, over full range																
Working radius (m)	Boom length (m)														Working radius (m)	
	38.9	38.9	38.9	38.9	38.9	38.9	38.9★	43.8	43.8	43.8	43.8	43.8	43.8	43.8★		
3.0																3.0
3.5																3.5
4.0																4.0
4.5																4.5
5.0																5.0
6.0																6.0
7.0	13.4	17.3	19	24	40	51	60									7.0
8.0	12.3	16.1	17.5	22.3	37.2	47.5	46.8									8.0
9.0	11.5	14.9	16.1	20.6	34.5	44	39.1	12	14.7	17.5	22.1	27.5	38	39.7		9.0
10.0	10.7	13.8	14.9	19	32.5	34.6	32.7	11.5	13.7	16.2	20.7	25.8	36	33.7		10.0
12.0	9.1	12	12.7	16.2	27.5	25.7	23.9	9.9	11.5	14	17.6	22.3	26.6	24.8		12.0
14.0	8	10.8	11.2	14.2	21.3	20.0	18.3	8.8	10	12.5	15.7	19.5	20.9	19.2		14.0
16.0	7.1	9.7	10	12.5	17.3	16.0	14.4	7.9	9	11	13.8	17.3	16.8	15.2		16.0
18.0	6.4	8.8	9	11.3	14.3	13.1	11.5	7.2	8	10	12.5	15.5	13.9	12.2		18.0
20.0	5.9	8	8	10.2	12.0	10.8	9.3	6.6	7.3	9	11.3	11.9	11.5	10.1		20.0
22.0	5.3	7.2	7.3	9.3	10.2	9.0	7.5	6	6.6	8.2	10.2	10.0	9.7	8.3		22.0
24.0	4.9	6.8	6.7	8.5	8.6	7.6	6.0	5.6	6	7.6	9.4	8.6	8.3	6.8		24.0
26.0	4.6	6.3	6.1	7.8	7.5	6.3	4.9	5.2	5.5	6.9	7.6	7.3	7.0	5.6		26.0
28.0	4.2	5.9	5.6	7.2	6.4	5.3	3.9	4.8	5	6.4	6.5	6.3	6.0	4.6		28.0
30.0	3.9	5.5	5.1	5.9	5.6	4.4	3.1	4.5	4.6	5.9	5.7	5.4	5.1	3.7		30.0
32.0	3.6	5.1	4.7	5.0	4.8	3.7	2.1	4.2	4.3	5.5	4.9	4.7	4.4	3.0		32.0
34.0								3.9	3.9	5	4.2	4.0	3.7	2.3		34.0
36.0								3.6	3.6	4.1	3.6	3.4	3.2	1.7		36.0
38.0																38.0
40.0																40.0
42.0																42.0
44.0																44.0
46.0																46.0
48.0																48.0
50.0																50.0
52.0																52.0
54.0																54.0
56.0																56.0
58.0																58.0
60.0																60.0
62.0																62.0
64.0																64.0
66.0																66.0
68.0																68.0
70.0																70.0
Reeving	8							6							Reeving	
Hook	90t							55t							Hook	
Telescoping mode	I	1	1	1	1	1	1	2	1	1	1	1	1	1	2	I
	II	1	1	1	1	1	2	2	1	1	1	1	1	2	2	II
	III	1	1	1	1	2	2	2	1	1	1	2	3	2	2	III
	IV	1	1	2	3	2	2	2	1	2	3	3	2	2	2	IV
	V	2	3	3	2	2	2	2	3	3	3	2	2	2	2	V
	VI	3	3	2	2	2	2	1	3	3	2	2	2	2	2	VI
	VII	3	2	2	2	2	1	1	3	2	2	2	2	2	1	VII



Table 8-10 Main boom

Unit: t

Outriggers intermediately extended, with 36 tons counterweight, counterweight moved backwards, over full range																
Working radius (m)	Boom length (m)														Working radius (m)	
	48.7	48.7	48.7	48.7	48.7	48.7	48.7★	53.6	53.6	53.6	53.6	53.6	53.6	53.6		
3.0																3.0
3.5																3.5
4.0																4.0
4.5																4.5
5.0																5.0
6.0																6.0
7.0																7.0
8.0																8.0
9.0																9.0
10.0	12.2	14.7	17.5	22	26.3	27	34.7									10.0
12.0	10.7	12.5	15	19.2	22.8	23.5	25.8	11	13.2	15.8	20.5	21.5	25	25.3		12.0
14.0	9.6	11.2	13.3	17	20	21	20.1	10	12	14.3	18.6	19.3	22	19.5		14.0
16.0	8.7	10	12	15.1	17.6	16.6	16.0	9.2	10.9	13	16.8	17	15.8	15.5		16.0
18.0	7.7	9	11	13.7	13.8	13.5	13.1	8.3	9.7	11.8	15	13.6	12.9	12.5		18.0
20.0	6.9	8.1	10	12.5	11.5	11.3	10.8	7.6	8.9	10.8	11.7	11.3	10.6	10.3		20.0
22.0	6.3	7.3	9.1	10.2	9.6	9.5	9.0	7	8.2	10	9.9	9.5	8.8	8.5		22.0
24.0	5.8	6.8	8.5	8.6	8.2	7.9	7.6	6.4	7.5	9.3	8.4	7.9	7.3	6.9		24.0
26.0	5.3	6.3	7.9	7.5	6.9	6.8	6.3	5.9	6.9	8.6	7.1	6.8	6.1	5.8		26.0
28.0	4.8	5.8	7.3	6.4	5.9	5.7	5.3	5.4	6.4	6.7	6.1	5.7	5.1	4.8		28.0
30.0	4.4	5.3	5.9	5.5	5.0	4.9	4.4	5	5.9	5.8	5.2	4.8	4.2	3.9		30.0
32.0	4.1	4.9	5.1	4.8	4.3	4.1	3.7	4.6	5.5	5.0	4.4	4.1	3.5	3.2		32.0
34.0	3.8	4.6	4.4	4.1	3.6	3.4	3.0	4.3	5.2	4.3	3.8	3.3	2.8	2.4		34.0
36.0	3.5	4.3	3.9	3.5	3.1	2.8	2.4	4	4.2	3.7	3.2	2.8	2.1	1.8		36.0
38.0	3.2	4	3.3	3.0	2.5	2.3	1.8	3.7	3.7	3.2	2.6	2.1	1.6	1.3		38.0
40.0	3	3.7	2.9	2.5	2.0	1.7	1.4	3.4	3.2	2.7	2.0	1.7	1.2			40.0
42.0								3.3	2.8	2.3	1.7	1.3				42.0
44.0								3	2.3	1.8	1.3					44.0
46.0																46.0
48.0																48.0
50.0																50.0
52.0																52.0
54.0																54.0
56.0																56.0
58.0																58.0
60.0																60.0
62.0																62.0
64.0																64.0
66.0																66.0
68.0																68.0
70.0																70.0
Reeving	5							4							Reeving	
Hook	55t														Hook	
Telescoping mode	I	1	1	1	1	1	1	2	1	1	1	1	1	2	3	I
	II	1	1	1	1	2	3	2	1	1	1	2	3	3	2	II
	III	1	1	2	3	3	2	2	1	2	3	3	3	2	2	III
	IV	2	3	3	3	2	2	2	3	3	3	3	2	2	2	IV
	V	3	3	3	2	2	2	2	3	3	3	2	2	2	2	V
	VI	3	3	2	2	2	2	2	3	3	2	2	2	2	2	VI
	VII	3	2	2	2	2	2	2	2	3	2	2	2	2	2	VII

Table 8-10 Main boom

Unit: t

Outriggers intermediately extended, with 36 tons counterweight, counterweight moved backwards, over full range																	
Working radius (m)	Boom length (m)														Working radius (m)		
	58.5	58.5	58.5	58.5	58.5	58.5★					63.4	63.4	63.4	63.4		63.4★	
3.0																3.0	
3.5																3.5	
4.0																4.0	
4.5																4.5	
5.0																5.0	
6.0																6.0	
7.0																7.0	
8.0																8.0	
9.0																9.0	
10.0																10.0	
12.0																12.0	
14.0	10.5	12.6	15.2	18	20.5	19.4				10.7	13.5	15.8	18	19		14.0	
16.0	9.6	11.5	14.3	16.6	16.0	15.4				10.1	12.5	15.1	17.7	15.6		16.0	
18.0	9	10.5	13	15	13.0	12.4				9.3	11.5	13.9	13.3	12.6		18.0	
20.0	8.2	9.6	12.1	11.4	10.7	10.1				8.7	10.5	12.8	11.0	10.3		20.0	
22.0	7.6	8.9	11.2	9.6	8.9	8.3				8.1	9.7	10.0	9.1	8.5		22.0	
24.0	7	8.2	8.6	8.1	7.4	6.8				7.5	9	8.5	7.7	6.9		24.0	
26.0	6.4	7.6	7.4	6.9	6.1	5.7				7	8.4	7.2	6.4	5.8		26.0	
28.0	5.9	7	6.4	5.9	5.1	4.6				6.5	6.8	6.1	5.3	4.7		28.0	
30.0	5.5	6.6	5.5	5.0	4.2	3.7				6	5.9	5.2	4.4	3.8		30.0	
32.0	5.1	5.3	4.7	4.2	3.5	3.0				5.7	5.0	4.5	3.7	3.1		32.0	
34.0	4.8	4.7	4.1	3.5	2.8	2.3				5.3	4.4	3.8	3.1	2.3		34.0	
36.0	4.5	4.1	3.4	3.0	2.1	1.6				5	3.8	3.2	2.4	1.7		36.0	
38.0	4.2	3.5	2.9	2.4	1.6	1.2				3.9	3.2	2.7	1.8	1.2		38.0	
40.0	4	3.1	2.4	1.9	1.2					3.4	2.8	2.0	1.4			40.0	
42.0	3.2	2.6	1.9	1.4						3.0	2.3	1.7				42.0	
44.0	2.8	2.1	1.5	1.1						2.6	1.9	1.3				44.0	
46.0	2.4	1.8	1.2							2.1	1.5					46.0	
48.0	2.0	1.4								1.8	1.2					48.0	
50.0	1.7	1.2								1.5						50.0	
52.0										1.3						52.0	
54.0																54.0	
56.0																56.0	
58.0																58.0	
60.0																60.0	
62.0																62.0	
64.0																64.0	
66.0																66.0	
68.0																68.0	
70.0																70.0	
Reeving	4										3					Reeving	
Hook	55t										25t					Hook	
Telescoping mode	I	1	1	1	1	2	3				1	1	1	2	3	I	Telescoping mode
	II	1	1	2	3	3	3				1	2	3	3	3	II	
	III	2	3	3	3	3	2				3	3	3	3	3	III	
	IV	3	3	3	3	2	2				3	3	3	3	2	IV	
	V	3	3	3	2	2	2				3	3	3	2	2	V	
	VI	3	3	2	2	2	2				3	3	2	2	2	VI	
	VII	3	2	2	2	2	2				3	2	2	2	2	VII	

Table 8-10 Main boom

Unit: t

Outriggers intermediately extended, with 36 tons counterweight, counterweight moved backwards, over full range																
Working radius (m)	Boom length (m)														Working radius (m)	
	68.3	68.3	68.3	68.3 ★		73.2	73.2	73.2 ★		78.1	78.1 ★	83 ★	86.2 ★	88 ★		
6.0															6.0	
7.0															7.0	
8.0															8.0	
9.0															9.0	
10.0															10.0	
12.0															12.0	
14.0															14.0	
16.0	10.5	13	14.5	15.5											16.0	
18.0	9.9	12.2	14	13.0		10	10.8	11.5							18.0	
20.0	9.3	11.3	11.3	10.5		9.7	10.5	11.2		8.2	9				20.0	
22.0	8.7	10.6	9.5	8.7		9.2	10.1	9.1		8	8.7	7.1			22.0	
24.0	8.2	9.8	8.0	7.2		8.7	8.5	7.6		7.8	8.4	7	6	5.7	24.0	
26.0	7.6	7.6	6.8	5.9		8.2	7.1	6.3		7.6	6.8	6.8	5.8	5.6	26.0	
28.0	7	6.5	5.7	5.0		7.8	6.0	5.2		6.6	5.7	6.6	5.7	5.5	28.0	
30.0	6.6	5.6	4.8	4.1		6.0	5.1	4.3		5.6	4.8	5.2	5.6	5.4	30.0	
32.0	5.5	4.9	4.0	3.2		5.2	4.3	3.6		4.8	4.0	4.4	4.6	4.5	32.0	
34.0	4.8	4.1	3.3	2.6		4.5	3.7	2.9		4.1	3.2	3.7	3.9	3.8	34.0	
36.0	4.1	3.5	2.7	1.9		4.0	3.1	2.3		3.5	2.7	3.1	3.2	3.2	36.0	
38.0	3.6	3.0	2.0	1.4		3.4	2.5	1.7		3.0	2.0	2.5	2.7	2.6	38.0	
40.0	3.2	2.5	1.6			2.9	2.0	1.3		2.4	1.5	2.0	2.1	2.0	40.0	
42.0	2.7	2.0	1.2			2.4	1.5			1.9	1.2	1.5	1.7	1.6	42.0	
44.0	2.3	1.6				2.0	1.2			1.5		1.2	1.3	1.2	44.0	
46.0	1.9	1.3				1.6				1.2					46.0	
48.0	1.5					1.3									48.0	
50.0	1.3														50.0	
52.0															52.0	
54.0															54.0	
56.0															56.0	
58.0															58.0	
60.0															60.0	
62.0															62.0	
64.0															64.0	
66.0															66.0	
68.0															68.0	
70.0															70.0	
72.0															72.0	
74.0															74.0	
Reeving	3					3					2		2	2	2	Reeving
Hook	25t														Hook	
Telescoping mode	I	1	1	2	3		1	2	3		2	3	3	3	4	I
	II	2	3	3	3		3	3	3		3	3	3	3	4	II
	III	3	3	3	3		3	3	3		3	3	3	4	4	III
	IV	3	3	3	3		3	3	3		3	3	3	4	4	IV
	V	3	3	3	2		3	3	3		3	3	3	4	4	V
	VI	3	3	2	2		3	3	2		3	3	3	4	4	VI
	VII	3	2	2	2		3	2	2		3	2	3	4	4	VII

Table 8-11 Main boom

Unit: t

Outriggers intermediately extended, with 27 tons counterweight, counterweight moved backwards, over full range																
Working radius (m)	Boom length (m)														Working radius (m)	
	14.4 ★	19.3	19.3	19.3	19.3	19.3	19.3	19.3 ★	24.2	24.2	24.2	24.2	24.2	24.2		24.2 ★
3.0	113	48.5	55	72	75	95	110								3.0	
3.5	105	46	55	72	75	95	105	23	46	62	70	75	90	90	3.5	
4.0	94	43.5	55	72	75	95	98	22	44	58	67	72	84	85	4.0	
4.5	88	41.7	55	72	75	88	88	21	41	55	64	70	78	78	4.5	
5.0	80	39.5	55	70	75	80	80	20	39	52	60	67	73	76	5.0	
6.0	65.0	36.5	49	63	67	67.1	66.0	17.5	34	45	53	60	65	62.6	6.0	
7.0	48.9	33.5	44.5	51.1	50.5	49.6	48.7	16	31	41	47	50.8	49.3	47.3	7.0	
8.0	38.0	31.5	40.5	40.1	39.5	38.7	37.9	14.8	28.5	38	44	39.8	38.4	36.6	8.0	
9.0	30.6	29.5	33.2	32.7	32.0	31.3	30.5	13.7	26.2	35	33.3	32.3	31.1	29.3	9.0	
10.0	25.3	27.5	27.7	27.2	26.6	25.9	25.2	12.8	24.5	28.7	27.8	26.9	25.7	24.0	10.0	
12.0		20.7	20.3	19.8	19.3	18.6	17.9	10.9	20.5	21.2	20.4	19.5	18.5	16.9	12.0	
14.0		15.8	15.5	15.0	14.5	13.9	13.2	10	18.5	16.4	15.7	14.8	13.7	12.2	14.0	
16.0								9	13.6	13.0	12.2	11.4	10.4	9.0	16.0	
18.0								8.2	11.1	10.4	9.7	8.9	8.0	6.6	18.0	
20.0															20.0	
22.0															22.0	
24.0															24.0	
26.0															26.0	
28.0															28.0	
30.0															30.0	
32.0															32.0	
34.0															34.0	
36.0															36.0	
38.0															38.0	
40.0															40.0	
42.0															42.0	
44.0															44.0	
46.0															46.0	
48.0															48.0	
50.0															50.0	
52.0															52.0	
54.0															54.0	
56.0															56.0	
58.0															58.0	
60.0															60.0	
62.0															62.0	
64.0															64.0	
66.0															66.0	
68.0															68.0	
70.0															70.0	
Reeving	14	13						13						Reeving		
Hook	110t														Hook	
Telescoping mode	I	1	1	1	1	1	1	1	1	1	1	1	1	1	2	I
	II	1	1	1	1	1	1	2	1	1	1	1	1	2	2	II
	III	1	1	1	1	1	2	1	1	1	1	1	2	2	1	III
	IV	1	1	1	1	2	1	1	1	1	1	2	2	1	1	IV
	V	1	1	1	2	1	1	1	1	1	2	2	1	1	1	V
	VI	1	1	2	1	1	1	1	1	1	2	2	1	1	1	VI
	VII	1	2	1	1	1	1	1	3	2	1	1	1	1	1	VII

Table 8-11 Main boom

Unit: t

Outriggers intermediately extended, with 27 tons counterweight, counterweight moved backwards, over full range																
Working radius (m)	Boom length (m)														Working radius (m)	
	29.1	29.1	29.1	29.1	29.1	29.1	29.1★	34	34	34	34	34	34	34★		
3.0															3.0	
3.5															3.5	
4.0															4.0	
4.5	22	19	45	53	68	80	80								4.5	
5.0	21	18.2	43	51.5	65	78	78								5.0	
6.0	19.3	16.2	38	45.5	60	70	61.6	13.5	17.5	27	40.5	50	65	60.9	6.0	
7.0	18.2	14.5	35	41	55	49.8	47.6	12.2	16.1	25	37	46	49.7	47.4	7.0	
8.0	17	13.1	32	37.5	41.0	39.4	37.4	11.2	14.8	23	34	42	40.4	38.3	8.0	
9.0	15.7	12.1	30	34.5	33.4	32.0	30.0	10.3	13.7	21	31.5	34.5	32.9	31.0	9.0	
10.0	14.7	11.2	27.6	32	27.8	26.5	24.7	9.6	12.5	19.6	29	28.9	27.5	25.6	10.0	
12.0	12.7	9.6	24	21.5	20.4	19.2	17.5	8	10.8	16.8	24.5	21.3	20.0	18.3	12.0	
14.0	11.4	8.3	17.6	16.7	15.6	14.4	12.8	7.1	9.6	14.9	17.6	16.5	15.2	13.6	14.0	
16.0	10.5	7.4	14.0	13.2	12.2	11.1	9.5	6.3	8.5	13	14.1	13.1	11.9	10.3	16.0	
18.0	9.6	6.6	11.5	10.7	9.7	8.6	7.1	5.7	7.7	11.8	11.6	10.5	9.4	7.8	18.0	
20.0	8.8	6	9.5	8.8	7.8	6.8	5.3	5.1	7.1	10.7	9.6	8.6	7.5	5.9	20.0	
22.0	8.1	5.4	8.0	7.2	6.3	5.2	3.8	4.6	6.4	8.4	8.1	7.1	5.9	4.5	22.0	
24.0								4.2	5.9	7.1	6.8	5.9	4.8	3.2	24.0	
26.0								3.8	5.4	6.0	5.8	4.9	3.7	2.1	26.0	
28.0															28.0	
30.0															30.0	
32.0															32.0	
34.0															34.0	
36.0															36.0	
38.0															38.0	
40.0															40.0	
42.0															42.0	
44.0															44.0	
46.0															46.0	
48.0															48.0	
50.0															50.0	
52.0															52.0	
54.0															54.0	
56.0															56.0	
58.0															58.0	
60.0															60.0	
62.0															62.0	
64.0															64.0	
66.0															66.0	
68.0															68.0	
70.0															70.0	
Reeving	11							9							Reeving	
Hook	90t														Hook	
Telescoping mode	I	1	1	1	1	1	1	2	1	1	1	1	1	1	2	I
	II	1	1	1	1	1	2	2	1	1	1	1	1	2	2	II
	III	1	1	1	1	2	2	2	1	1	1	1	2	2	2	III
	IV	1	1	1	2	2	2	1	1	1	1	2	2	2	2	IV
	V	1	1	2	2	2	1	1	1	2	3	2	2	2	1	V
	VI	2	3	2	2	1	1	1	3	3	2	2	2	1	1	VI
	VII	3	2	2	1	1	1	1	3	2	2	2	1	1	1	VII

Table 8-11 Main boom

Unit: t

Outriggers intermediately extended, with 27 tons counterweight, counterweight moved backwards, over full range																
Working radius (m)	Boom length (m)														Working radius (m)	
	38.9	38.9	38.9	38.9	38.9	38.9	38.9★	43.8	43.8	43.8	43.8	43.8	43.8	43.8★		
3.0																3.0
3.5																3.5
4.0																4.0
4.5																4.5
5.0																5.0
6.0																6.0
7.0	13.4	17.3	19	24	40	51	47.4									7.0
8.0	12.3	16.1	17.5	22.3	37.2	40.7	38.6									8.0
9.0	11.5	14.9	16.1	20.6	34.5	34.0	32.0	12	14.7	17.5	22.1	27.5	38	32.7		9.0
10.0	10.7	13.8	14.9	19	32.5	28.4	26.6	11.5	13.7	16.2	20.7	25.8	29.5	27.5		10.0
12.0	9.1	12	12.7	16.2	22.3	20.9	19.2	9.9	11.5	14	17.6	22.3	21.9	20.1		12.0
14.0	8	10.8	11.2	14.2	17.4	16.0	14.4	8.8	10	12.5	15.7	17.3	16.9	15.2		14.0
16.0	7.1	9.7	10	12.5	14.0	12.7	11.1	7.9	9	11	13.8	13.8	13.5	11.9		16.0
18.0	6.4	8.8	9	11.3	11.3	10.2	8.6	7.2	8	10	12.5	11.3	10.9	9.4		18.0
20.0	5.9	8	8	10.2	9.5	8.2	6.7	6.6	7.3	9	9.5	9.3	9.0	7.5		20.0
22.0	5.3	7.2	7.3	8.2	7.8	6.7	5.2	6	6.6	8.2	8.0	7.7	7.5	5.9		22.0
24.0	4.9	6.8	6.7	6.8	6.6	5.5	4.0	5.6	6	7.6	6.7	6.5	6.2	4.7		24.0
26.0	4.6	6.3	6.1	5.9	5.6	4.4	3.0	5.2	5.5	6.1	5.7	5.4	5.1	3.7		26.0
28.0	4.2	5.9	5.6	5.0	4.7	3.6	2.0	4.8	5	5.2	4.8	4.5	4.2	2.9		28.0
30.0	3.9	4.8	4.4	4.2	4.0	2.8	1.4	4.5	4.6	4.4	4.0	3.8	3.5	2.0		30.0
32.0	3.6	4.1	3.8	3.5	3.2	2.0		4.2	4.3	3.8	3.3	3.2	2.9	1.4		32.0
34.0								3.9	3.9	3.2	2.8	2.5	2.3			34.0
36.0								3.6	3.1	2.7	2.1	2.0	1.7			36.0
38.0																38.0
40.0																40.0
42.0																42.0
44.0																44.0
46.0																46.0
48.0																48.0
50.0																50.0
52.0																52.0
54.0																54.0
56.0																56.0
58.0																58.0
60.0																60.0
62.0																62.0
64.0																64.0
66.0																66.0
68.0																68.0
70.0																70.0
Reeving	8							6							Reeving	
Hook	90t							55t							Hook	
Telescoping mode	I	1	1	1	1	1	1	2	1	1	1	1	1	1	2	I
	II	1	1	1	1	1	2	2	1	1	1	1	1	2	2	II
	III	1	1	1	1	2	2	2	1	1	1	2	3	2	2	III
	IV	1	1	2	3	2	2	2	1	2	3	3	2	2	2	IV
	V	2	3	3	2	2	2	2	3	3	3	2	2	2	2	V
	VI	3	3	2	2	2	2	1	3	3	2	2	2	2	2	VI
	VII	3	2	2	2	2	1	1	3	2	2	2	2	2	1	VII

Table 8-11 Main boom

Unit: t

Outriggers intermediately extended, with 27 tons counterweight, counterweight moved backwards, over full range																
Working radius (m)	Boom length (m)															Working radius (m)
	48.7	48.7	48.7	48.7	48.7	48.7	48.7★	53.6	53.6	53.6	53.6	53.6	53.6	53.6		
3.0																3.0
3.5																3.5
4.0																4.0
4.5																4.5
5.0																5.0
6.0																6.0
7.0																7.0
8.0																8.0
9.0																9.0
10.0	12.2	14.7	17.5	22	26.3	27	28.5									10.0
12.0	10.7	12.5	15	19.2	22.8	23.5	21.1	11	13.2	15.8	20.5	21.5	20.9	20.4		12.0
14.0	9.6	11.2	13.3	17	16.9	16.6	16.1	10	12	14.3	18.6	16.7	15.9	15.5		14.0
16.0	8.7	10	12	15.1	13.4	13.1	12.7	9.2	10.9	13	13.7	13.1	12.5	12.1		16.0
18.0	7.7	9	11	11.4	10.9	10.6	10.2	8.3	9.7	11.8	11.1	10.6	10.0	9.5		18.0
20.0	6.9	8.1	10	9.5	8.9	8.6	8.2	7.6	8.9	10.8	9.1	8.6	8.0	7.7		20.0
22.0	6.3	7.3	9.1	7.8	7.4	7.1	6.7	7	8.2	8.1	7.6	7.1	6.5	6.1		22.0
24.0	5.8	6.8	6.9	6.6	6.1	5.9	5.4	6.4	7.5	6.8	6.2	5.9	5.2	4.9		24.0
26.0	5.3	6.3	5.9	5.5	5.0	4.9	4.4	5.9	6.9	5.8	5.2	4.8	4.2	3.8		26.0
28.0	4.8	5.8	5.0	4.6	4.1	4.0	3.5	5.4	5.4	4.9	4.3	3.9	3.3	3.0		28.0
30.0	4.4	5.3	4.2	3.9	3.4	3.2	2.8	5	4.6	4.1	3.5	3.2	2.6	2.1		30.0
32.0	4.1	4.1	3.6	3.2	2.8	2.5	2.0	4.6	4.0	3.4	2.9	2.5	1.9	1.5		32.0
34.0	3.8	3.5	3.1	2.6	2.1	1.9	1.5	4.3	3.3	2.9	2.3	1.9	1.3			34.0
36.0	3.5	3.1	2.5	2.0	1.6	1.4		3.4	2.9	2.3	1.7	1.4				36.0
38.0	3.2	2.6	2.0	1.6	1.2			3.0	2.4	1.8	1.3					38.0
40.0	2.6	2.0	1.5	1.2				2.6	1.9	1.4						40.0
42.0								2.0	1.5	1.1						42.0
44.0								1.8	1.2							44.0
46.0																46.0
48.0																48.0
50.0																50.0
52.0																52.0
54.0																54.0
56.0																56.0
58.0																58.0
60.0																60.0
62.0																62.0
64.0																64.0
66.0																66.0
68.0																68.0
70.0																70.0
Reeving	5							4							Reeving	
Hook	55t															Hook
Telescoping mode	I	1	1	1	1	1	1	2	1	1	1	1	1	2	3	I
	II	1	1	1	1	2	3	2	1	1	1	2	3	3	2	II
	III	1	1	2	3	3	2	2	1	2	3	3	3	2	2	III
	IV	2	3	3	3	2	2	2	3	3	3	3	2	2	2	IV
	V	3	3	3	2	2	2	2	3	3	3	2	2	2	2	V
	VI	3	3	2	2	2	2	2	3	3	2	2	2	2	2	VI
	VII	3	2	2	2	2	2	2	2	3	2	2	2	2	2	VII

Table 8-11 Main boom

Unit: t

Outriggers intermediately extended, with 27 tons counterweight, counterweight moved backwards, over full range																	
Working radius (m)	Boom length (m)														Working radius (m)		
	58.5	58.5	58.5	58.5	58.5	58.5★					63.4	63.4	63.4	63.4		63.4★	
3.0																3.0	
3.5																3.5	
4.0																4.0	
4.5																4.5	
5.0																5.0	
6.0																6.0	
7.0																7.0	
8.0																8.0	
9.0																9.0	
10.0																10.0	
12.0																12.0	
14.0	10.5	12.6	15.2	18	16.1	15.4				10.7	13.5	15.8	18	15.7	14.0		
16.0	9.6	11.5	14.3	13.4	12.6	12.0				10.1	12.5	15.1	12.9	12.2	16.0		
18.0	9	10.5	11.4	10.8	10.0	9.5				9.3	11.5	11.2	10.3	9.5	18.0		
20.0	8.2	9.6	9.5	8.8	8.1	7.6				8.7	10.5	9.2	8.3	7.7	20.0		
22.0	7.6	8.9	7.8	7.3	6.6	5.9				8.1	8.3	7.6	6.8	6.0	22.0		
24.0	7	7.2	6.6	6.0	5.3	4.8				7.5	6.9	6.3	5.5	4.8	24.0		
26.0	6.4	6.1	5.5	5.0	4.2	3.7				7	5.9	5.2	4.4	3.8	26.0		
28.0	5.9	5.2	4.6	4.1	3.3	2.8				5.7	5.0	4.3	3.5	2.9	28.0		
30.0	5.5	4.5	3.8	3.3	2.6	2.0				4.9	4.1	3.6	2.8	2.0	30.0		
32.0	4.3	3.8	3.2	2.6	1.9	1.4				4.2	3.5	2.9	2.0	1.4	32.0		
34.0	3.8	3.2	2.6	2.0	1.4					3.6	2.9	2.3	1.4		34.0		
36.0	3.2	2.7	2.0	1.5						3.1	2.4	1.7			36.0		
38.0	2.8	2.1	1.5	1.1						2.6	1.9	1.3			38.0		
40.0	2.3	1.7	1.2							2.0	1.4				40.0		
42.0	1.9	1.4								1.7	1.1				42.0		
44.0	1.5	1.1								1.4					44.0		
46.0	1.3									1.1					46.0		
48.0															48.0		
50.0															50.0		
52.0															52.0		
54.0															54.0		
56.0															56.0		
58.0															58.0		
60.0															60.0		
62.0															62.0		
64.0															64.0		
66.0															66.0		
68.0															68.0		
70.0															70.0		
Reeving	4										3					Reeving	
Hook	55t										25t					Hook	
Telescoping mode	I	1	1	1	1	2	3				1	1	1	2	3	I	Telescoping mode
	II	1	1	2	3	3	3				1	2	3	3	3	II	
	III	2	3	3	3	3	2				3	3	3	3	3	III	
	IV	3	3	3	3	2	2				3	3	3	3	2	IV	
	V	3	3	3	2	2	2				3	3	3	2	2	V	
	VI	3	3	2	2	2	2				3	3	2	2	2	VI	
	VII	3	2	2	2	2	2				3	2	2	2	2	VII	



Table 8-11 Main boom

Unit: t

Outriggers intermediately extended, with 27 tons counterweight, counterweight moved backwards, over full range																
Working radius (m)	Boom length (m)														Working radius (m)	
	68.3	68.3	68.3	68.3 ★		73.2	73.2	73.2 ★		78.1	78.1 ★	83 ★	86.2 ★	88 ★		
6.0															6.0	
7.0															7.0	
8.0															8.0	
9.0															9.0	
10.0															10.0	
12.0															12.0	
14.0															14.0	
16.0	10.5	13	14.5	12.5											16.0	
18.0	9.9	12.2	10.7	9.9		10	10.8	11.5							18.0	
20.0	9.3	9.6	8.7	7.9		9.7	9.2	8.3		8.2	9				20.0	
22.0	8.7	8.0	7.1	6.3		9.2	7.6	6.7		8	7.1	7.1			22.0	
24.0	8.2	6.7	5.9	5.0		7.2	6.2	5.4		6.8	5.9	7	6	5.7	24.0	
26.0	6.3	5.6	4.8	4.0		6.0	5.1	4.3		5.6	4.8	5.2	5.8	5.6	26.0	
28.0	5.4	4.7	3.9	3.2		5.1	4.2	3.4		4.7	3.9	4.3	4.5	4.4	28.0	
30.0	4.6	4.0	3.1	2.3		4.3	3.4	2.7		3.9	3.1	3.5	3.7	3.6	30.0	
32.0	3.9	3.2	2.4	1.6		3.7	2.8	1.9		3.2	2.3	2.8	3.0	2.9	32.0	
34.0	3.3	2.7	1.8	1.1		3.1	2.0	1.4		2.6	1.7	2.1	2.3	2.1	34.0	
36.0	2.8	2.0	1.3			2.5	1.6			2.0	1.2	1.6	1.7	1.6	36.0	
38.0	2.3	1.6				2.0	1.2			1.5		1.2	1.3	1.2	38.0	
40.0	1.8	1.2				1.6				1.1					40.0	
42.0	1.4					1.2									42.0	
44.0	1.1														44.0	
46.0															46.0	
48.0															48.0	
50.0															50.0	
52.0															52.0	
54.0															54.0	
56.0															56.0	
58.0															58.0	
60.0															60.0	
62.0															62.0	
64.0															64.0	
66.0															66.0	
68.0															68.0	
70.0															70.0	
72.0															72.0	
74.0															74.0	
Reeving	3					3					2		2	2	2	Reeving
Hook	25t														Hook	
Telescoping mode	I	1	1	2	3		1	2	3		2	3	3	3	4	I
	II	2	3	3	3		3	3	3		3	3	3	3	4	II
	III	3	3	3	3		3	3	3		3	3	3	4	4	III
	IV	3	3	3	3		3	3	3		3	3	3	4	4	IV
	V	3	3	3	2		3	3	3		3	3	3	4	4	V
	VI	3	3	2	2		3	3	2		3	3	3	4	4	VI
	VII	3	2	2	2		3	2	2		3	2	3	4	4	VII

Table 8-12 Main boom

Unit: t

Outriggers intermediately extended, with 18 tons counterweight, counterweight moved backwards, over full range																
Working radius (m)	Boom length (m)														Working radius (m)	
	14.4 ★	19.3	19.3	19.3	19.3	19.3	19.3	19.3 ★	24.2	24.2	24.2	24.2	24.2	24.2		24.2 ★
3.0	110	48.5	55	72	75	95	110								3.0	
3.5	101	46	55	72	75	95	101	23	46	62	70	75	90	90	3.5	
4.0	90	43.5	55	72	75	90	90	22	44	58	67	72	84	84	4.0	
4.5	84	41.7	55	72	75	84	84	21	41	55	64	70	79	80	4.5	
5.0	76.0	39.5	55	70	75	76.1	74.9	20	39	52	60	67	73	76	5.0	
6.0	52.7	36.5	49	55.0	54.0	53.0	52.5	17.5	34	45	53	53.5	51.9	49.7	6.0	
7.0	38.5	33.5	44.5	40.9	40.2	39.3	38.4	16	31	41	41.7	40.4	39.0	37.0	7.0	
8.0	29.7	31.5	32.4	31.9	31.1	30.4	29.5	14.8	28.5	33.6	32.6	31.4	30.2	28.3	8.0	
9.0	23.7	29.5	26.2	25.7	25.0	24.3	23.5	13.7	26.2	27.3	26.3	25.3	24.0	22.3	9.0	
10.0	19.3	22.1	21.7	21.2	20.6	19.9	19.1	12.8	24.5	22.7	21.8	20.8	19.6	18.0	10.0	
12.0		15.9	15.6	15.0	14.5	13.9	13.1	10.9	17.2	16.5	15.7	14.8	13.7	12.2	12.0	
14.0		12.0	11.5	11.1	10.6	10.0	9.4	10	13.1	12.4	11.7	10.8	9.8	8.4	14.0	
16.0								9	10.3	9.6	8.9	8.1	7.1	5.7	16.0	
18.0								8.2	8.2	7.6	6.8	6.0	5.0	3.7	18.0	
20.0															20.0	
22.0															22.0	
24.0															24.0	
26.0															26.0	
28.0															28.0	
30.0															30.0	
32.0															32.0	
34.0															34.0	
36.0															36.0	
38.0															38.0	
40.0															40.0	
42.0															42.0	
44.0															44.0	
46.0															46.0	
48.0															48.0	
50.0															50.0	
52.0															52.0	
54.0															54.0	
56.0															56.0	
58.0															58.0	
60.0															60.0	
62.0															62.0	
64.0															64.0	
66.0															66.0	
68.0															68.0	
70.0															70.0	
Reeving	14	13						13						Reeving		
Hook	110t														Hook	
Telescoping mode	I	1	1	1	1	1	1	1	1	1	1	1	1	1	2	Telescoping mode
	II	1	1	1	1	1	1	2	1	1	1	1	1	2	2	
	III	1	1	1	1	1	2	1	1	1	1	1	2	2	1	
	IV	1	1	1	1	2	1	1	1	1	1	2	2	1	1	
	V	1	1	1	2	1	1	1	1	1	2	2	1	1	1	
	VI	1	1	2	1	1	1	1	1	1	2	2	1	1	1	
	VII	1	2	1	1	1	1	1	3	2	1	1	1	1	1	

Table 8-12 Main boom

Unit: t

Outriggers intermediately extended, with 18 tons counterweight, counterweight moved backwards, over full range																
Working radius (m)	Boom length (m)														Working radius (m)	
	29.1	29.1	29.1	29.1	29.1	29.1	29.1★	34	34	34	34	34	34	34★		
3.0																3.0
3.5																3.5
4.0																4.0
4.5	22	19	45	53	68	80	80									4.5
5.0	21	18.2	43	51.5	65	78	67.9									5.0
6.0	19.3	16.2	38	45.5	53.1	51.3	48.9	13.5	17.5	27	40.5	50	51.0	48.6		6.0
7.0	18.2	14.5	35	41	41.2	39.6	37.4	12.2	16.1	25	37	46	39.7	37.4		7.0
8.0	17	13.1	32	37.5	32.6	31.1	29.0	11.2	14.8	23	34	33.8	32.0	30.0		8.0
9.0	15.7	12.1	30	27.5	26.3	24.9	23.0	10.3	13.7	21	31.5	27.5	25.9	23.9		9.0
10.0	14.7	11.2	24.0	23.0	21.8	20.4	18.6	9.6	12.5	19.6	24.1	22.8	21.3	19.4		10.0
12.0	12.7	9.6	17.6	16.7	15.7	14.4	12.7	8	10.8	16.8	17.7	16.6	15.2	13.5		12.0
14.0	11.4	8.3	13.6	12.7	11.7	10.5	8.9	7.1	9.6	14.9	13.7	12.6	11.3	9.6		14.0
16.0	10.5	7.4	10.7	9.9	8.9	7.8	6.2	6.3	8.5	11.1	10.8	9.7	8.6	6.9		16.0
18.0	9.6	6.6	8.6	7.8	6.8	5.8	4.2	5.7	7.7	9.0	8.7	7.7	6.5	5.0		18.0
20.0	7.6	6	7.0	6.2	5.3	4.2	2.7	5.1	7.1	7.4	7.1	6.0	5.0	3.4		20.0
22.0	6.2	5.4	5.8	5.0	4.1	3.0	1.4	4.6	6.4	6.0	5.8	4.8	3.7	2.0		22.0
24.0								4.2	5.2	5.0	4.8	3.8	2.7	1.1		24.0
26.0								3.8	4.3	4.1	3.9	2.9	1.7			26.0
28.0																28.0
30.0																30.0
32.0																32.0
34.0																34.0
36.0																36.0
38.0																38.0
40.0																40.0
42.0																42.0
44.0																44.0
46.0																46.0
48.0																48.0
50.0																50.0
52.0																52.0
54.0																54.0
56.0																56.0
58.0																58.0
60.0																60.0
62.0																62.0
64.0																64.0
66.0																66.0
68.0																68.0
70.0																70.0
Reeving	11							9							Reeving	
Hook	90t														Hook	
Telescoping mode	I	1	1	1	1	1	1	2	1	1	1	1	1	1	2	I
	II	1	1	1	1	1	2	2	1	1	1	1	1	2	2	II
	III	1	1	1	1	2	2	2	1	1	1	1	2	2	2	III
	IV	1	1	1	2	2	2	1	1	1	1	2	2	2	2	IV
	V	1	1	2	2	2	1	1	1	2	3	2	2	2	1	V
	VI	2	3	2	2	1	1	1	3	3	2	2	2	1	1	VI
	VII	3	2	2	1	1	1	1	3	2	2	2	1	1	1	VII

Table 8-12 Main boom

Unit: t

Outriggers intermediately extended, with 18 tons counterweight, counterweight moved backwards, over full range																	
Working radius (m)	Boom length (m)															Working radius (m)	
	38.9	38.9	38.9	38.9	38.9	38.9	38.9★	43.8	43.8	43.8	43.8	43.8	43.8	43.8	43.8★		
3.0																3.0	
3.5																3.5	
4.0																4.0	
4.5																4.5	
5.0																5.0	
6.0																6.0	
7.0	13.4	17.3	19	24	40	40.0	37.7									7.0	
8.0	12.3	16.1	17.5	22.3	37.2	32.5	30.3									8.0	
9.0	11.5	14.9	16.1	20.6	28.5	26.9	24.9	12	14.7	17.5	22.1	27.5	27.6	25.7		9.0	
10.0	10.7	13.8	14.9	19	23.9	22.3	20.4	11.5	13.7	16.2	20.7	25.8	23.3	21.4		10.0	
12.0	9.1	12	12.7	16.2	17.6	16.1	14.3	9.9	11.5	14	17.6	17.4	17.0	15.3		12.0	
14.0	8	10.8	11.2	14.2	13.4	12.2	10.4	8.8	10	12.5	13.6	13.3	13.0	11.3		14.0	
16.0	7.1	9.7	10	10.9	10.5	9.4	7.7	7.9	9	11	10.7	10.4	10.1	8.5		16.0	
18.0	6.4	8.8	9	8.7	8.5	7.3	5.7	7.2	8	10	8.6	8.3	8.0	6.5		18.0	
20.0	5.9	8	8	7.1	6.8	5.7	4.1	6.6	7.3	7.4	6.9	6.7	6.4	4.9		20.0	
22.0	5.3	7.2	6.0	5.9	5.6	4.4	2.9	6	6.6	6.1	5.7	5.4	5.1	3.6		22.0	
24.0	4.9	5.4	5.0	4.8	4.5	3.4	1.8	5.6	6	5.0	4.6	4.3	4.1	2.6		24.0	
26.0	4.6	4.6	4.1	4.0	3.7	2.5		5.2	4.5	4.1	3.7	3.5	3.2	1.7		26.0	
28.0	4.2	3.8	3.4	3.2	3.0	1.7		4.8	3.8	3.4	3.0	2.8	2.5			28.0	
30.0	3.9	3.2	2.8	2.5	2.3	1.1		3.7	3.2	2.8	2.3	2.0	1.8			30.0	
32.0	3.0	2.6	2.1	1.9	1.7			3.1	2.6	2.1	1.7	1.5	1.3			32.0	
34.0								2.6	2.0	1.7	1.3	1.1				34.0	
36.0								2.0	1.6	1.3						36.0	
38.0																38.0	
40.0																40.0	
42.0																42.0	
44.0																44.0	
46.0																46.0	
48.0																48.0	
50.0																50.0	
52.0																52.0	
54.0																54.0	
56.0																56.0	
58.0																58.0	
60.0																60.0	
62.0																62.0	
64.0																64.0	
66.0																66.0	
68.0																68.0	
70.0																70.0	
Reeving	8								6								Reeving
Hook	90t								55t								Hook
Telescoping mode	I	1	1	1	1	1	1	2	1	1	1	1	1	1	2	I	
	II	1	1	1	1	1	2	2	1	1	1	1	1	2	2	II	
	III	1	1	1	1	2	2	2	1	1	1	2	3	2	2	III	
	IV	1	1	2	3	2	2	2	1	2	3	3	2	2	2	IV	
	V	2	3	3	2	2	2	2	3	3	3	2	2	2	2	V	
	VI	3	3	2	2	2	2	2	1	3	3	2	2	2	2	VI	
	VII	3	2	2	2	2	2	1	1	3	2	2	2	2	2	VII	

Table 8-12 Main boom

Unit: t

Outriggers intermediately extended, with 18 tons counterweight, counterweight moved backwards, over full range																
Working radius (m)	Boom length (m)															Working radius (m)
	48.7	48.7	48.7	48.7	48.7	48.7	48.7★	53.6	53.6	53.6	53.6	53.6	53.6	53.6		
3.0																3.0
3.5																3.5
4.0																4.0
4.5																4.5
5.0																5.0
6.0																6.0
7.0																7.0
8.0																8.0
9.0																9.0
10.0	12.2	14.7	17.5	22	23.2	23.0	22.3									10.0
12.0	10.7	12.5	15	19.2	17.0	16.7	16.2	11	13.2	15.8	17.3	16.7	16.0	15.6		12.0
14.0	9.6	11.2	13.3	13.5	12.9	12.6	12.2	10	12	14.3	13.1	12.6	12.0	11.5		14.0
16.0	8.7	10	12	10.6	10.1	9.8	9.3	9.2	10.9	10.9	10.3	9.8	9.1	8.7		16.0
18.0	7.7	9	8.9	8.5	7.9	7.7	7.2	8.3	9.7	8.7	8.1	7.7	7.0	6.7		18.0
20.0	6.9	8.1	7.2	6.8	6.3	6.0	5.7	7.6	7.7	7.1	6.5	6.0	5.4	5.0		20.0
22.0	6.3	6.5	5.9	5.5	5.0	4.8	4.3	7	6.3	5.8	5.2	4.8	4.1	3.8		22.0
24.0	5.8	5.4	4.9	4.5	4.0	3.8	3.3	6.4	5.2	4.7	4.1	3.7	3.2	2.8		24.0
26.0	5.3	4.5	4.0	3.6	3.2	2.9	2.5	5.0	4.3	3.9	3.2	2.9	2.1	1.8		26.0
28.0	4.2	3.8	3.2	2.9	2.4	2.0	1.7	4.2	3.6	3.1	2.5	2.0	1.4	1.1		28.0
30.0	3.6	3.2	2.6	2.1	1.7	1.4	1.1	3.6	3.0	2.4	1.8	1.4				30.0
32.0	3.1	2.6	2.0	1.6	1.2			3.0	2.4	1.8	1.3					32.0
34.0	2.5	2.0	1.5	1.2				2.5	1.8	1.4						34.0
36.0	2.0	1.6	1.1					2.0	1.4							36.0
38.0	1.6	1.3						1.6								38.0
40.0	1.4							1.3								40.0
42.0																42.0
44.0																44.0
46.0																46.0
48.0																48.0
50.0																50.0
52.0																52.0
54.0																54.0
56.0																56.0
58.0																58.0
60.0																60.0
62.0																62.0
64.0																64.0
66.0																66.0
68.0																68.0
70.0																70.0
Reeving	5							4							Reeving	
Hook	55t															Hook
Telescoping mode	I	1	1	1	1	1	1	2	1	1	1	1	1	2	3	I
	II	1	1	1	1	2	3	2	1	1	1	2	3	3	2	II
	III	1	1	2	3	3	2	2	1	2	3	3	3	2	2	III
	IV	2	3	3	3	2	2	2	3	3	3	3	2	2	2	IV
	V	3	3	3	2	2	2	2	3	3	3	2	2	2	2	V
	VI	3	3	2	2	2	2	2	3	3	2	2	2	2	2	VI
	VII	3	2	2	2	2	2	2	3	2	2	2	2	2	2	VII

Table 8-12 Main boom

Unit: t

Outriggers intermediately extended, with 18 tons counterweight, counterweight moved backwards, over full range																
Working radius (m)	Boom length (m)														Working radius (m)	
	58.5	58.5	58.5	58.5	58.5	58.5 ★					63.4	63.4	63.4	63.4		63.4 ★
3.0																3.0
3.5																3.5
4.0																4.0
4.5																4.5
5.0																5.0
6.0																6.0
7.0																7.0
8.0																8.0
9.0																9.0
10.0																10.0
12.0																12.0
14.0	10.5	12.6	13.5	12.9	12.1	11.4				10.7	13.5	13.3	12.3	11.5		14.0
16.0	9.6	11.5	10.6	10.0	9.2	8.6				10.1	11.1	10.4	9.5	8.7		16.0
18.0	9	9.2	8.5	7.8	7.1	6.5				9.3	8.9	8.2	7.3	6.6		18.0
20.0	8.2	7.5	6.8	6.2	5.5	4.9				8.7	7.2	6.6	5.7	5.0		20.0
22.0	6.8	6.1	5.5	5.0	4.1	3.6				6.7	5.9	5.2	4.4	3.7		22.0
24.0	5.7	5.1	4.4	3.9	3.2	2.6				5.5	4.8	4.1	3.3	2.7		24.0
26.0	4.8	4.2	3.5	3.0	2.1	1.7				4.6	3.9	3.2	2.5	1.7		26.0
28.0	4.0	3.4	2.8	2.1	1.4					3.9	3.2	2.5	1.6			28.0
30.0	3.3	2.8	2.0	1.5						3.2	2.5	1.8	1.1			30.0
32.0	2.8	2.1	1.5							2.6	1.9	1.3				32.0
34.0	2.3	1.7	1.1							2.0	1.4					34.0
36.0	1.8	1.3								1.6						36.0
38.0	1.4									1.3						38.0
40.0	1.1															40.0
42.0																42.0
44.0																44.0
46.0																46.0
48.0																48.0
50.0																50.0
52.0																52.0
54.0																54.0
56.0																56.0
58.0																58.0
60.0																60.0
62.0																62.0
64.0																64.0
66.0																66.0
68.0																68.0
70.0																70.0
Reeving	4										3					Reeving
Hook	55t										25t					Hook
Telescoping mode	I	1	1	1	1	2	3				1	1	1	2	3	I
	II	1	1	2	3	3	3				1	2	3	3	3	II
	III	2	3	3	3	3	2				3	3	3	3	3	III
	IV	3	3	3	3	2	2				3	3	3	3	2	IV
	V	3	3	3	2	2	2				3	3	3	2	2	V
	VI	3	3	2	2	2	2				3	3	2	2	2	VI
	VII	3	2	2	2	2	2				3	2	2	2	2	VII

Table 8-12 Main boom

Unit: t

Outriggers intermediately extended, with 18 tons counterweight, counterweight moved backwards, over full range																
Working radius (m)	Boom length (m)														Working radius (m)	
	68.3	68.3	68.3	68.3 ★		73.2	73.2	73.2 ★		78.1	78.1 ★	83 ★	86.2 ★	88 ★		
6.0															6.0	
7.0															7.0	
8.0															8.0	
9.0															9.0	
10.0															10.0	
12.0															12.0	
14.0															14.0	
16.0	10.5	10.9	9.9	9.0											16.0	
18.0	9.9	8.6	7.7	6.8		10	8.2	7.3							18.0	
20.0	7.7	6.9	6.0	5.2		7.5	6.5	5.6		7.0	6.0				20.0	
22.0	6.3	5.6	4.7	4.0		6.1	5.1	4.3		5.6	4.8	5.2			22.0	
24.0	5.2	4.5	3.7	2.9		5.0	4.1	3.2		4.5	3.6	4.1	4.3	4.1	24.0	
26.0	4.3	3.6	2.8	2.0		4.1	3.2	2.3		3.6	2.7	3.2	3.3	3.2	26.0	
28.0	3.5	2.9	2.0	1.3		3.3	2.4	1.5		2.8	1.9	2.4	2.6	2.4	28.0	
30.0	2.9	2.1	1.4			2.6	1.7			2.0	1.3	1.7	1.8	1.7	30.0	
32.0	2.3	1.6				2.0	1.1			1.5		1.1	1.3	1.2	32.0	
34.0	1.7	1.1				1.5									34.0	
36.0	1.4					1.1									36.0	
38.0															38.0	
40.0															40.0	
42.0															42.0	
44.0															44.0	
46.0															46.0	
48.0															48.0	
50.0															50.0	
52.0															52.0	
54.0															54.0	
56.0															56.0	
58.0															58.0	
60.0															60.0	
62.0															62.0	
64.0															64.0	
66.0															66.0	
68.0															68.0	
70.0															70.0	
72.0															72.0	
74.0															74.0	
Reeving	3					3					2		2	2	2	Reeving
Hook	25t														Hook	
Telescoping mode	I	1	1	2	3		1	2	3		2	3	3	3	4	I
	II	2	3	3	3		3	3	3		3	3	3	3	4	II
	III	3	3	3	3		3	3	3		3	3	3	4	4	III
	IV	3	3	3	3		3	3	3		3	3	3	4	4	IV
	V	3	3	3	2		3	3	3		3	3	3	4	4	V
	VI	3	3	2	2		3	3	2		3	3	3	4	4	VI
	VII	3	2	2	2		3	2	2		3	2	3	4	4	VII

Table 8-13 Main boom

Unit: t

Outriggers intermediately extended, with 9 tons counterweight, counterweight moved backwards, over full range																
Working radius (m)	Boom length (m)														Working radius (m)	
	14.4 ★	19.3	19.3	19.3	19.3	19.3	19.3	19.3 ★	24.2	24.2	24.2	24.2	24.2	24.2		24.2 ★
3.0	105	48.5	55	72	75	95	105								3.0	
3.5	96	46	55	72	75	95	95	23	46	62	70	75	90	90	3.5	
4.0	85	43.5	55	72	75	85	85.0	22	44	58	67	72	84	85	4.0	
4.5	75.0	41.7	55	72	75	72.1	70.7	21	41	55	64	70	67.8	65.0	4.5	
5.0	59.0	39.5	55	60.0	59.0	57.9	56.6	20	39	52	60	56.7	54.9	52.3	5.0	
6.0	39.4	36.5	42.8	42.0	41.2	40.2	39.2	17.5	34	45	41.8	40.4	38.9	36.6	6.0	
7.0	28.3	33.5	31.2	30.6	29.9	29.1	28.1	16	31	32.5	31.4	30.2	28.7	26.6	7.0	
8.0	21.3	24.6	24.0	23.5	22.9	22.1	21.2	14.8	28.5	25.2	24.2	23.1	21.8	20.0	8.0	
9.0	16.7	19.6	19.2	18.6	18.0	17.3	16.5	13.7	21.1	20.2	19.4	18.3	17.0	15.3	9.0	
10.0	13.1	16.0	15.6	15.1	14.5	13.9	13.1	12.8	17.4	16.7	15.8	14.8	13.6	12.0	10.0	
12.0		11.2	10.8	10.3	9.8	9.1	8.5	10.9	12.4	11.7	10.9	10.0	8.9	7.4	12.0	
14.0		8.0	7.7	7.2	6.7	6.1	5.4	10	9.2	8.6	7.8	6.9	5.9	4.4	14.0	
16.0								7.3	6.9	6.3	5.6	4.8	3.8	2.3	16.0	
18.0								5.6	5.3	4.7	4.0	3.2	2.0		18.0	
20.0															20.0	
22.0															22.0	
24.0															24.0	
26.0															26.0	
28.0															28.0	
30.0															30.0	
32.0															32.0	
34.0															34.0	
36.0															36.0	
38.0															38.0	
40.0															40.0	
42.0															42.0	
44.0															44.0	
46.0															46.0	
48.0															48.0	
50.0															50.0	
52.0															52.0	
54.0															54.0	
56.0															56.0	
58.0															58.0	
60.0															60.0	
62.0															62.0	
64.0															64.0	
66.0															66.0	
68.0															68.0	
70.0															70.0	
Reeving	14	13						13						Reeving		
Hook	110t														Hook	
Telescoping mode	I	1	1	1	1	1	1	1	1	1	1	1	1	1	2	Telescoping mode
	II	1	1	1	1	1	1	2	1	1	1	1	1	2	2	
	III	1	1	1	1	1	2	1	1	1	1	1	2	2	1	
	IV	1	1	1	1	2	1	1	1	1	1	2	2	1	1	
	V	1	1	1	2	1	1	1	1	1	2	2	1	1	1	
	VI	1	1	2	1	1	1	1	1	2	2	1	1	1	1	
	VII	1	2	1	1	1	1	1	3	2	1	1	1	1	1	



Table 8-13 Main boom

Unit: t

Outriggers intermediately extended, with 9 tons counterweight, counterweight moved backwards, over full range																
Working radius (m)	Boom length (m)														Working radius (m)	
	29.1	29.1	29.1	29.1	29.1	29.1	29.1★	34	34	34	34	34	34	34★		
3.0															3.0	
3.5															3.5	
4.0															4.0	
4.5	22	19	45	53	68	65.9	62.8								4.5	
5.0	21	18.2	43	51.5	55.9	53.9	51.1								5.0	
6.0	19.3	16.2	38	45.5	40.4	38.6	36.2	13.5	17.5	27	40.5	40.6	38.7	36.3	6.0	
7.0	18.2	14.5	35	32.5	31.1	29.4	27.2	12.2	16.1	25	33.0	31.5	29.7	27.5	7.0	
8.0	17	13.1	26.7	25.6	24.2	22.7	20.6	11.2	14.8	23	26.7	25.3	23.7	21.5	8.0	
9.0	15.7	12.1	21.6	20.5	19.3	17.8	15.9	10.3	13.7	21	21.7	20.3	18.8	16.8	9.0	
10.0	14.7	11.2	17.9	16.9	15.7	14.4	12.6	9.6	12.5	19.6	18.0	16.7	15.3	13.4	10.0	
12.0	12.7	9.6	12.9	12.0	10.9	9.6	7.9	8	10.8	13.3	13.0	11.8	10.4	8.7	12.0	
14.0	11.4	8.3	9.6	8.8	7.7	6.6	5.0	7.1	9.6	10.0	9.7	8.6	7.4	5.7	14.0	
16.0	7.9	7.4	7.4	6.6	5.6	4.5	2.9	6.3	8.5	7.7	7.5	6.4	5.2	3.6	16.0	
18.0	6.3	6.6	5.8	5.0	4.0	2.9	1.3	5.7	6.3	6.0	5.8	4.8	3.6	2.0	18.0	
20.0	5.0	4.8	4.5	3.7	2.7	1.5		5.1	5.0	4.8	4.5	3.5	2.3		20.0	
22.0	4.0	3.7	3.4	2.6	1.6			4.6	4.0	3.8	3.5	2.5	1.3		22.0	
24.0								3.6	3.2	2.9	2.7	1.6			24.0	
26.0								2.9	2.4	2.1	1.9				26.0	
28.0															28.0	
30.0															30.0	
32.0															32.0	
34.0															34.0	
36.0															36.0	
38.0															38.0	
40.0															40.0	
42.0															42.0	
44.0															44.0	
46.0															46.0	
48.0															48.0	
50.0															50.0	
52.0															52.0	
54.0															54.0	
56.0															56.0	
58.0															58.0	
60.0															60.0	
62.0															62.0	
64.0															64.0	
66.0															66.0	
68.0															68.0	
70.0															70.0	
Reeving	11							9							Reeving	
Hook	90t														Hook	
Telescoping mode	I	1	1	1	1	1	1	2	1	1	1	1	1	1	2	I
	II	1	1	1	1	1	2	2	1	1	1	1	1	2	2	II
	III	1	1	1	1	2	2	2	1	1	1	1	2	2	2	III
	IV	1	1	1	2	2	2	1	1	1	1	2	2	2	2	IV
	V	1	1	2	2	2	1	1	1	2	3	2	2	2	1	V
	VI	2	3	2	2	1	1	1	3	3	2	2	2	1	1	VI
	VII	3	2	2	1	1	1	1	3	2	2	2	1	1	1	VII

Table 8-13 Main boom

Unit: t

Outriggers intermediately extended, with 9 tons counterweight, counterweight moved backwards, over full range																
Working radius (m)	Boom length (m)														Working radius (m)	
	38.9	38.9	38.9	38.9	38.9	38.9	38.9★	43.8	43.8	43.8	43.8	43.8	43.8	43.8★		
3.0																3.0
3.5																3.5
4.0																4.0
4.5																4.5
5.0																5.0
6.0																6.0
7.0	13.4	17.3	19	24	32.0	30.2	27.9									7.0
8.0	12.3	16.1	17.5	22.3	25.9	24.2	22.1									8.0
9.0	11.5	14.9	16.1	20.6	21.4	19.8	17.8	12	14.7	17.5	22.1	21.1	20.6	18.6		9.0
10.0	10.7	13.8	14.9	19	17.7	16.2	14.3	11.5	13.7	16.2	17.9	17.6	17.2	15.3		10.0
12.0	9.1	12	12.7	13.1	12.7	11.3	9.5	9.9	11.5	14	12.9	12.5	12.2	10.4		12.0
14.0	8	10.8	11.2	9.8	9.5	8.2	6.5	8.8	10	10.2	9.6	9.3	9.0	7.3		14.0
16.0	7.1	8.3	7.7	7.6	7.2	5.9	4.3	7.9	9	7.8	7.3	7.0	6.8	5.1		16.0
18.0	6.4	6.6	6.1	5.9	5.6	4.3	2.8	7.2	6.5	6.1	5.7	5.4	5.1	3.5		18.0
20.0	5.9	5.2	4.8	4.6	4.2	3.1	1.4	5.8	5.2	4.8	4.3	4.1	3.8	2.3		20.0
22.0	4.6	4.2	3.8	3.5	3.2	2.0		4.7	4.1	3.8	3.3	3.1	2.8	1.3		22.0
24.0	3.7	3.3	2.9	2.7	2.4	1.2		3.9	3.3	3.0	2.5	2.1	1.9			24.0
26.0	3.0	2.6	2.1	1.9	1.6			3.2	2.6	2.1	1.7	1.5	1.3			26.0
28.0	2.4	2.0	1.5	1.4	1.1			2.5	1.9	1.5	1.2					28.0
30.0	1.8	1.4	1.1					1.9	1.4	1.1						30.0
32.0	1.4							1.5								32.0
34.0								1.1								34.0
36.0																36.0
38.0																38.0
40.0																40.0
42.0																42.0
44.0																44.0
46.0																46.0
48.0																48.0
50.0																50.0
52.0																52.0
54.0																54.0
56.0																56.0
58.0																58.0
60.0																60.0
62.0																62.0
64.0																64.0
66.0																66.0
68.0																68.0
70.0																70.0
Reeving	8							6							Reeving	
Hook	90t							55t							Hook	
Telescoping mode	I	1	1	1	1	1	1	2	1	1	1	1	1	1	2	I
	II	1	1	1	1	1	2	2	1	1	1	1	1	2	2	II
	III	1	1	1	1	2	2	2	1	1	1	2	3	2	2	III
	IV	1	1	2	3	2	2	2	1	2	3	3	2	2	2	IV
	V	2	3	3	2	2	2	2	3	3	3	2	2	2	2	V
	VI	3	3	2	2	2	2	2	1	3	3	2	2	2	2	VI
	VII	3	2	2	2	2	1	1	3	2	2	2	2	2	1	VII

Table 8-13 Main boom

Unit: t

Outriggers intermediately extended, with 9 tons counterweight, counterweight moved backwards, over full range																
Working radius (m)	Boom length (m)														Working radius (m)	
	48.7	48.7	48.7	48.7	48.7	48.7	48.7★	53.6	53.6	53.6	53.6	53.6	53.6	53.6		
3.0																3.0
3.5																3.5
4.0																4.0
4.5																4.5
5.0																5.0
6.0																6.0
7.0																7.0
8.0																8.0
9.0																9.0
10.0	12.2	14.7	17.5	17.7	17.1	16.7	16.2									10.0
12.0	10.7	12.5	13.2	12.8	12.2	11.9	11.3	11	13.2	13.1	12.4	11.9	11.2	10.7		12.0
14.0	9.6	11.2	9.9	9.5	8.9	8.6	8.2	10	10.4	9.8	9.1	8.6	7.9	7.6		14.0
16.0	8.7	8.3	7.7	7.2	6.7	6.4	5.9	9.2	8.1	7.5	6.8	6.4	5.8	5.3		16.0
18.0	7.7	6.6	5.9	5.5	5.0	4.8	4.3	7.0	6.3	5.8	5.1	4.7	4.1	3.7		18.0
20.0	5.7	5.2	4.6	4.2	3.7	3.5	3.1	5.7	5.0	4.5	3.9	3.4	2.8	2.4		20.0
22.0	4.6	4.1	3.6	3.2	2.7	2.5	2.0	4.6	4.0	3.4	2.9	2.4	1.7	1.4		22.0
24.0	3.8	3.3	2.7	2.3	1.8	1.5	1.2	3.7	3.1	2.6	1.9	1.5				24.0
26.0	3.1	2.6	2.0	1.6	1.2			3.0	2.4	1.8	1.3					26.0
28.0	2.4	1.9	1.4					2.4	1.7	1.3						28.0
30.0	1.9	1.4						1.8	1.2							30.0
32.0	1.4							1.4								32.0
34.0																34.0
36.0																36.0
38.0																38.0
40.0																40.0
42.0																42.0
44.0																44.0
46.0																46.0
48.0																48.0
50.0																50.0
52.0																52.0
54.0																54.0
56.0																56.0
58.0																58.0
60.0																60.0
62.0																62.0
64.0																64.0
66.0																66.0
68.0																68.0
70.0																70.0
Reeving	5							4							Reeving	
Hook	55t														Hook	
Telescoping mode	I	1	1	1	1	1	1	2	1	1	1	1	1	2	3	I
	II	1	1	1	1	2	3	2	1	1	1	2	3	3	2	II
	III	1	1	2	3	3	2	2	1	2	3	3	3	2	2	III
	IV	2	3	3	3	2	2	2	3	3	3	3	2	2	2	IV
	V	3	3	3	2	2	2	2	3	3	3	2	2	2	2	V
	VI	3	3	2	2	2	2	2	3	3	2	2	2	2	2	VI
	VII	3	2	2	2	2	2	2	2	3	2	2	2	2	2	VII

Table 8-13 Main boom

Unit: t

Outriggers intermediately extended, with 9 tons counterweight, counterweight moved backwards, over full range																
Working radius (m)	Boom length (m)														Working radius (m)	
	58.5	58.5	58.5	58.5	58.5	58.5 ★					63.4	63.4	63.4	63.4		63.4 ★
3.0																3.0
3.5																3.5
4.0																4.0
4.5																4.5
5.0																5.0
6.0																6.0
7.0																7.0
8.0																8.0
9.0																9.0
10.0																10.0
12.0																12.0
14.0	10.5	10.3	9.5	8.8	8.0	7.4				10.7	10.0	9.3	8.3	7.5	14.0	
16.0	8.6	7.9	7.2	6.6	5.8	5.2				8.5	7.6	6.9	6.0	5.3	16.0	
18.0	6.8	6.2	5.5	4.9	4.1	3.5				6.7	5.9	5.2	4.3	3.6	18.0	
20.0	5.5	4.9	4.1	3.6	2.9	2.1				5.3	4.5	3.9	3.1	2.3	20.0	
22.0	4.4	3.8	3.2	2.6	1.7	1.2				4.2	3.5	2.9	2.0	1.3	22.0	
24.0	3.5	3.0	2.1	1.6						3.3	2.6	1.9	1.1		24.0	
26.0	2.8	2.1	1.5							2.6	1.8	1.3			26.0	
28.0	2.0	1.5								2.0	1.3				28.0	
30.0	1.6	1.1								1.4					30.0	
32.0	1.2														32.0	
34.0															34.0	
36.0															36.0	
38.0															38.0	
40.0															40.0	
42.0															42.0	
44.0															44.0	
46.0															46.0	
48.0															48.0	
50.0															50.0	
52.0															52.0	
54.0															54.0	
56.0															56.0	
58.0															58.0	
60.0															60.0	
62.0															62.0	
64.0															64.0	
66.0															66.0	
68.0															68.0	
70.0															70.0	
Reeving	4										3					Reeving
Hook	55t										25t					Hook
Telescoping mode	I	1	1	1	1	2	3				1	1	1	2	3	I
	II	1	1	2	3	3	3				1	2	3	3	3	II
	III	2	3	3	3	3	2				3	3	3	3	3	III
	IV	3	3	3	3	2	2				3	3	3	3	2	IV
	V	3	3	3	2	2	2				3	3	3	2	2	V
	VI	3	3	2	2	2	2				3	3	2	2	2	VI
	VII	3	2	2	2	2	2				3	2	2	2	2	VII

Table 8-13 Main boom

Unit: t

Outriggers intermediately extended, with 9 tons counterweight, counterweight moved backwards, over full range																
Working radius (m)	Boom length (m)														Working radius (m)	
	68.3	68.3	68.3	68.3 ★		73.2	73.2	73.2 ★		78.1	78.1 ★	83 ★	86.2 ★	88 ★		
6.0															6.0	
7.0															7.0	
8.0															8.0	
9.0															9.0	
10.0															10.0	
12.0															12.0	
14.0															14.0	
16.0	8.1	7.4	6.4	5.6											16.0	
18.0	6.3	5.6	4.7	3.9		6.1	5.1	4.2							18.0	
20.0	5.0	4.3	3.3	2.6		4.8	3.8	2.9		4.2	3.3				20.0	
22.0	3.9	3.2	2.3	1.5		3.7	2.7	1.8		3.2	2.1	2.8			22.0	
24.0	3.1	2.3	1.4			2.8	1.8			2.1	1.4	1.8	1.9	1.8	24.0	
26.0	2.3	1.6				2.0	1.1			1.4		1.1	1.2	1.1	26.0	
28.0	1.6					1.4									28.0	
30.0	1.1														30.0	
32.0															32.0	
34.0															34.0	
36.0															36.0	
38.0															38.0	
40.0															40.0	
42.0															42.0	
44.0															44.0	
46.0															46.0	
48.0															48.0	
50.0															50.0	
52.0															52.0	
54.0															54.0	
56.0															56.0	
58.0															58.0	
60.0															60.0	
62.0															62.0	
64.0															64.0	
66.0															66.0	
68.0															68.0	
70.0															70.0	
72.0															72.0	
74.0															74.0	
Reeving	3					3					2		2	2	2	Reeving
Hook	25t														Hook	
Telescoping mode	I	1	1	2	3		1	2	3		2	3	3	3	4	I
	II	2	3	3	3		3	3	3		3	3	3	3	4	II
	III	3	3	3	3		3	3	3		3	3	3	4	4	III
	IV	3	3	3	3		3	3	3		3	3	3	4	4	IV
	V	3	3	3	2		3	3	3		3	3	3	4	4	V
	VI	3	3	2	2		3	3	2		3	3	3	4	4	VI
	VII	3	2	2	2		3	2	2		3	2	3	4	4	VII

Table 8-14 Main boom

Unit: t

Outriggers completely extended, with 59 tons counterweight, counterweight front position, over full range															
Working radius (m)	Boom length (m)														Working radius (m)
	14.4 ★	19.3	19.3	19.3	19.3	19.3	19.3	19.3 ★	24.2	24.2	24.2	24.2	24.2	24.2	
3.0	150*	48.5	55	72	75	95	110								3.0
3.5	115	46	55	72	75	95	105	23	46	62	70	75	90	90	3.5
4.0	105	43.5	55	72	75	95	103	22	44	58	67	72	84	85	4.0
4.5	100	41.7	55	72	75	93	97	21	41	55	64	70	79	80	4.5
5.0	92	39.5	55	70	75	90	91	20	39	52	60	67	73	76	5.0
6.0	80	36.5	49	63	73	78	80	17.5	34	45	53	60	65	70	6.0
7.0	71	33.5	44.5	57.5	67	68	70	16	31	41	47	62	62	64	7.0
8.0	60	31.5	40.5	53	60	60	60	14.8	28.5	38	44	57	57	58	8.0
9.0	53	29.5	37.5	48.5	53	53	53	13.7	26.2	35	40	51	51	53	9.0
10.0	47	27.5	34	45	51	50	49	12.8	24.5	32.5	37	47	47	49	10.0
12.0		24.5	30	38	42	42	42	10.9	20.5	27.5	31	41	41	41	12.0
14.0		22.5	26.5	35.5	37	36	35	10	18.5	24	27.5	36	36	35	14.0
16.0								9	16.5	22	25	31	30	29	16.0
18.0								8.2	15	20	23.2	27	26	25	18.0
20.0															20.0
22.0															22.0
24.0															24.0
26.0															26.0
28.0															28.0
30.0															30.0
32.0															32.0
34.0															34.0
36.0															36.0
38.0															38.0
40.0															40.0
42.0															42.0
44.0															44.0
46.0															46.0
48.0															48.0
50.0															50.0
52.0															52.0
54.0															54.0
56.0															56.0
58.0															58.0
60.0															60.0
62.0															62.0
64.0															64.0
66.0															66.0
68.0															68.0
70.0															70.0
Reeving	14	13						13						Reeving	
Hook	110t														Hook
Telescoping mode	I	1	1	1	1	1	1	1	1	1	1	1	1	2	I
	II	1	1	1	1	1	1	2	1	1	1	1	2	2	II
	III	1	1	1	1	1	2	1	1	1	1	2	2	1	III
	IV	1	1	1	1	2	1	1	1	1	2	2	1	1	IV
	V	1	1	2	1	1	1	1	1	2	2	1	1	1	V
	VI	1	2	1	1	1	1	1	3	2	1	1	1	1	VI
	VII	1	2	1	1	1	1	1	3	2	1	1	1	1	VII

Note:

As for the lifting capacity marked with the asterisk (\*), you should adopt 120t - 160 t hook and increase rope reevings.

Table 8-14 Main boom

Unit: t

Outriggers completely extended, with 59 tons counterweight, counterweight front position, over full range																
Working radius (m)	Boom length (m)														Working radius (m)	
	29.1	29.1	29.1	29.1	29.1	29.1	29.1 ★	34	34	34	34	34	34	34 ★		
3.0															3.0	
3.5															3.5	
4.0															4.0	
4.5	22	19	45	53	68	80	82								4.5	
5.0	21	18.2	43	51.5	65	78	80								5.0	
6.0	19.3	16.2	38	45.5	60	70	72	13.5	17.5	27	40.5	50	65	68	6.0	
7.0	18.2	14.5	35	41	55	63	65	12.2	16.1	25	37	46	60	63	7.0	
8.0	17	13.1	32	37.5	49	60	60	11.2	14.8	23	34	42	55	58	8.0	
9.0	15.7	12.1	30	34.5	46.5	54	54	10.3	13.7	21	31.5	39	51	53	9.0	
10.0	14.7	11.2	27.6	32	43	50	49	9.6	12.5	19.6	29	36.5	47	49	10.0	
12.0	12.7	9.6	24	27	37	42.5	42	8	10.8	16.8	24.5	30.8	39	42	12.0	
14.0	11.4	8.3	21	24	33	36	35	7.1	9.6	14.9	22	28.5	36	35	14.0	
16.0	10.5	7.4	18.6	21.5	29.5	30.5	30	6.3	8.5	13	19.5	25.5	31	30	16.0	
18.0	9.6	6.6	17	19.5	26.6	27	24.0	5.7	7.7	11.8	17.7	23	26	25.5	18.0	
20.0	8.8	6	15.4	17.6	22.5	23	20.0	5.1	7.1	10.7	16	21	23	22	20.0	
22.0	8.1	5.4	14.2	16.2	20.5	19	16.8	4.6	6.4	9.9	14.7	19	20	17.6	22.0	
24.0								4.2	5.9	9.1	13.6	18	17	15.0	24.0	
26.0								3.8	5.4	8.4	12.5	16	15	13.0	26.0	
28.0															28.0	
30.0															30.0	
32.0															32.0	
34.0															34.0	
36.0															36.0	
38.0															38.0	
40.0															40.0	
42.0															42.0	
44.0															44.0	
46.0															46.0	
48.0															48.0	
50.0															50.0	
52.0															52.0	
54.0															54.0	
56.0															56.0	
58.0															58.0	
60.0															60.0	
62.0															62.0	
64.0															64.0	
66.0															66.0	
68.0															68.0	
70.0															70.0	
Reeving	11							9							Reeving	
Hook	90t														Hook	
Telescoping mode	I	1	1	1	1	1	1	2	1	1	1	1	1	1	2	I
	II	1	1	1	1	1	2	2	1	1	1	1	1	2	2	II
	III	1	1	1	1	2	2	2	1	1	1	1	2	2	2	III
	IV	1	1	1	2	2	2	1	1	1	1	2	2	2	2	IV
	V	1	1	2	2	2	1	1	1	2	3	2	2	2	1	V
	VI	2	3	2	2	1	1	1	3	3	2	2	2	1	1	VI
	VII	3	2	2	1	1	1	1	3	2	2	2	1	1	1	VII

Table 8-14 Main boom

Unit: t

Outriggers completely extended, with 59 tons counterweight, counterweight front position, over full range																
Working radius (m)	Boom length (m)														Working radius (m)	
	38.9	38.9	38.9	38.9	38.9	38.9	38.9★	43.8	43.8	43.8	43.8	43.8	43.8	43.8★		
3.0																3.0
3.5																3.5
4.0																4.0
4.5																4.5
5.0																5.0
6.0																6.0
7.0	13.4	17.3	19	24	40	51	60									7.0
8.0	12.3	16.1	17.5	22.3	37.2	47.5	57									8.0
9.0	11.5	14.9	16.1	20.6	34.5	44	53	12	14.7	17.5	22.1	27.5	38	48		9.0
10.0	10.7	13.8	14.9	19	32.5	41.5	50	11.5	13.7	16.2	20.7	25.8	36	45.5		10.0
12.0	9.1	12	12.7	16.2	27.5	35	41	9.9	11.5	14	17.6	22.3	31.7	40		12.0
14.0	8	10.8	11.2	14.2	25	32	36	8.8	10	12.5	15.7	19.5	28.2	36		14.0
16.0	7.1	9.7	10	12.5	22.5	28.5	31	7.9	9	11	13.8	17.3	25.3	33		16.0
18.0	6.4	8.8	9	11.3	20.2	26.2	25.7	7.2	8	10	12.5	15.5	23.1	26.6		18.0
20.0	5.9	8	8	10.2	18.5	24.1	21.6	6.6	7.3	9	11.3	14	21	22.4		20.0
22.0	5.3	7.2	7.3	9.3	16.8	21	18.4	6	6.6	8.2	10.2	12.8	19.2	19.2		22.0
24.0	4.9	6.8	6.7	8.5	15.5	19	15.8	5.6	6	7.6	9.4	11.7	18	16.6		24.0
26.0	4.6	6.3	6.1	7.8	14.5	15.2	13.7	5.2	5.5	6.9	8.6	10.7	16.3	14.5		26.0
28.0	4.2	5.9	5.6	7.2	13.6	13.4	12.0	4.8	5	6.4	7.9	9.9	15	12.7		28.0
30.0	3.9	5.5	5.1	6.6	12.7	11.9	10.4	4.5	4.6	5.9	7.3	9.2	13.5	11.2		30.0
32.0	3.6	5.1	4.7	6	12	11.8	9.1	4.2	4.3	5.5	6.8	7.6	12.5	9.9		32.0
34.0								3.9	3.9	5	6.3	8	11.2	8.7		34.0
36.0								3.6	3.6	4.7	5.9	7.5	10	7.7		36.0
38.0																38.0
40.0																40.0
42.0																42.0
44.0																44.0
46.0																46.0
48.0																48.0
50.0																50.0
52.0																52.0
54.0																54.0
56.0																56.0
58.0																58.0
60.0																60.0
62.0																62.0
64.0																64.0
66.0																66.0
68.0																68.0
70.0																70.0
Reeving	8							6							Reeving	
Hook	90t							55t							Hook	
Telescoping mode	I	1	1	1	1	1	1	2	1	1	1	1	1	1	2	I
	II	1	1	1	1	1	2	2	1	1	1	1	1	2	2	II
	III	1	1	1	1	2	2	2	1	1	1	2	3	2	2	III
	IV	1	1	2	3	2	2	2	1	2	3	3	2	2	2	IV
	V	2	3	3	2	2	2	2	3	3	3	2	2	2	2	V
	VI	3	3	2	2	2	2	1	3	3	2	2	2	2	2	VI
	VII	3	2	2	2	2	1	1	3	2	2	2	2	2	1	VII



Table 8-14 Main boom

Unit: t

Outriggers completely extended, with 59 tons counterweight, counterweight front position, over full range																
Working radius (m)	Boom length (m)														Working radius (m)	
	48.7	48.7	48.7	48.7	48.7	48.7	48.7★	53.6	53.6	53.6	53.6	53.6	53.6	53.6		
3.0																3.0
3.5																3.5
4.0																4.0
4.5																4.5
5.0																5.0
6.0																6.0
7.0																7.0
8.0																8.0
9.0																9.0
10.0	12.2	14.7	17.5	22	26.3	27	39									10.0
12.0	10.7	12.5	15	19.2	22.8	23.5	35.2	11	13.2	15.8	20.5	21.5	25	30		12.0
14.0	9.6	11.2	13.3	17	20	21	32.5	10	12	14.3	18.6	19.3	22	26.5		14.0
16.0	8.7	10	12	15.1	17.6	18.5	29.5	9.2	10.9	13	16.8	17	20	23.7		16.0
18.0	7.7	9	11	13.7	16	16.5	26.8	8.3	9.7	11.8	15	15.3	18	21.4		18.0
20.0	6.9	8.1	10	12.5	14.3	14.8	24.3	7.6	8.9	10.8	13.6	14	16.5	19.5		20.0
22.0	6.3	7.3	9.1	11.4	13	13.5	20.1	7	8.2	10	12.5	12.6	14.9	17.5		22.0
24.0	5.8	6.8	8.5	10.5	11.7	12.3	17.4	6.4	7.5	9.3	11.3	11.5	13.6	16		24.0
26.0	5.3	6.3	7.9	9.7	10.9	11.2	15.3	5.9	6.9	8.6	10.4	10.5	12.4	14.5		26.0
28.0	4.8	5.8	7.3	9	10	10.3	13.5	5.4	6.4	8	9.5	9.6	11.3	13.3		28.0
30.0	4.4	5.3	6.8	8.3	9.4	9.4	12.0	5	5.9	7.5	8.7	8.7	10.4	12.1		30.0
32.0	4.1	4.9	6.3	7.7	8.7	8.7	10.6	4.6	5.5	7	8.1	8	9.6	11.2		32.0
34.0	3.8	4.6	5.8	7.2	7.9	7.5	9.5	4.3	5.2	6.5	7.5	7.4	8.9	8.9		34.0
36.0	3.5	4.3	5.3	6.7	7.4	7	8.5	4	4.8	6.1	6.9	6.8	8.3	7.9		36.0
38.0	3.2	4	4.9	6.3	6.9	6.4	7.6	3.7	4.5	5.7	6.4	6.3	7.9	7.0		38.0
40.0	3	3.7	4.7	5.8	6.4	6	6.8	3.4	4.2	5.4	5.9	5.8	7.4	6.3		40.0
42.0								3.3	4	4.9	5.5	5.4	5.9	5.6		42.0
44.0								3	3.8	4.6	5.1	5	5.3	5.0		44.0
46.0																46.0
48.0																48.0
50.0																50.0
52.0																52.0
54.0																54.0
56.0																56.0
58.0																58.0
60.0																60.0
62.0																62.0
64.0																64.0
66.0																66.0
68.0																68.0
70.0																70.0
Reeving	5							4							Reeving	
Hook	55t														Hook	
Telescoping mode	I	1	1	1	1	1	1	2	1	1	1	1	1	2	3	I
	II	1	1	1	1	2	3	2	1	1	1	2	3	3	2	II
	III	1	1	2	3	3	2	2	1	2	3	3	3	2	2	III
	IV	2	3	3	3	2	2	2	3	3	3	3	2	2	2	IV
	V	3	3	3	2	2	2	2	3	3	3	2	2	2	2	V
	VI	3	3	2	2	2	2	2	3	3	2	2	2	2	2	VI
	VII	3	2	2	2	2	2	2	2	3	2	2	2	2	2	VII

Table 8-14 Main boom

Unit: t

Outriggers completely extended, with 59 tons counterweight, counterweight front position, over full range															
Working radius (m)	Boom length (m)													Working radius (m)	
	58.5	58.5	58.5	58.5	58.5	58.5 ★				63.4	63.4	63.4	63.4		63.4 ★
3.0															3.0
3.5															3.5
4.0															4.0
4.5															4.5
5.0															5.0
6.0															6.0
7.0															7.0
8.0															8.0
9.0															9.0
10.0															10.0
12.0															12.0
14.0	10.5	12.6	15.2	18	20.5	23				10.7	13.5	15.8	18	19	14.0
16.0	9.6	11.5	14.3	16.6	19	21				10.1	12.5	15.1	17.7	18.7	16.0
18.0	9	10.5	13	15	17.2	19.5				9.3	11.5	13.9	16.2	17.8	18.0
20.0	8.2	9.6	12.1	13.6	14.8	17.8				8.7	10.5	12.8	14.5	16.3	20.0
22.0	7.6	8.9	11.2	12	14.2	16.2				8.1	9.7	11.5	13.5	14.9	22.0
24.0	7	8.2	10.3	11	12.8	14.8				7.5	9	10.5	12.3	13.8	24.0
26.0	6.4	7.6	9.7	9.9	11.6	13.6				7	8.4	9.6	11.1	12.8	26.0
28.0	5.9	7	9	9.1	10.6	12.4				6.5	7.9	8.8	10.2	11.7	28.0
30.0	5.5	6.6	8.4	8.4	10	11.4				6	7.4	8.1	9.5	10.8	30.0
32.0	5.1	6.1	7.9	7.7	9.2	10.5				5.7	6.9	7.5	8.6	10	32.0
34.0	4.8	5.7	7.2	7	8.3	9.7				5.3	6.5	6.9	8	9.3	34.0
36.0	4.5	5.4	6.7	6.5	7.7	7.8				5	6.1	6.4	7.4	8.5	36.0
38.0	4.2	5.1	6.2	5.9	7.1	6.9				4.7	5.8	5.9	6.8	7.8	38.0
40.0	4	4.8	5.8	5.5	6.5	6.1				4.2	5.4	5.4	6.3	6.2	40.0
42.0	3.7	4.5	5.4	5	6.1	5.4				4.1	5.1	4.9	5.8	5.5	42.0
44.0	3.5	4.3	5	4.7	5.9	4.8				3.9	4.8	4.6	5.6	4.9	44.0
46.0	3.3	4	4.6	4	4.8	4.2				3.7	4.4	4.2	5.1	4.3	46.0
48.0	3	3.7	4.3	3.9	4.2	3.7				3.5	4.1	3.9	4.7	3.8	48.0
50.0	2.8	3.5	4	3.6	3.7	3.2				3.3	3.8	3.6	4.4	3.3	50.0
52.0										3.0	3.5	3.3	3.4	2.9	52.0
54.0										2.9	3.3	3	3.1	2.4	54.0
56.0															56.0
58.0															58.0
60.0															60.0
62.0															62.0
64.0															64.0
66.0															66.0
68.0															68.0
70.0															70.0
Reeving	4									3					Reeving
Hook	55t									25t					Hook
Telescoping mode	I	1	1	1	1	2	3			1	1	1	2	3	I
	II	1	1	2	3	3	3			1	2	3	3	3	II
	III	2	3	3	3	3	2			3	3	3	3	3	III
	IV	3	3	3	3	2	2			3	3	3	3	2	IV
	V	3	3	3	2	2	2			3	3	3	2	2	V
	VI	3	3	2	2	2	2			3	3	2	2	2	VI
	VII	3	2	2	2	2	2			3	2	2	2	2	VII

Table 8-14 Main boom

Unit: t

Outriggers completely extended, with 59 tons counterweight, counterweight front position, over full range																
Working radius (m)	Boom length (m)														Working radius (m)	
	68.3	68.3	68.3	68.3 ★		73.2	73.2	73.2 ★		78.1	78.1 ★	83 ★	86.2 ★	88 ★		
6.0															6.0	
7.0															7.0	
8.0															8.0	
9.0															9.0	
10.0															10.0	
12.0															12.0	
14.0															14.0	
16.0	10.5	13	14.5	15.5											16.0	
18.0	9.9	12.2	14	15		10	10.8	11.5							18.0	
20.0	9.3	11.3	13.5	14.5		9.7	10.5	11.2		8.2	9				20.0	
22.0	8.7	10.6	12.6	13.6		9.2	10.1	10.8		8	8.7	7.1			22.0	
24.0	8.2	9.8	11.5	12.5		8.7	9.7	10.4		7.8	8.4	7	6	5.7	24.0	
26.0	7.6	9.2	10.6	11.5		8.2	9.3	10		7.6	8.2	6.8	5.8	5.6	26.0	
28.0	7	8.6	9.7	10.8		7.8	8.9	9.6		7.4	8	6.6	5.7	5.5	28.0	
30.0	6.6	7.9	8.9	10		7.3	8.5	9.2		7.2	7.8	6.4	5.6	5.4	30.0	
32.0	6.2	7.3	8.3	9.3		6.9	8	8.6		7	7.5	6.2	5.5	5.3	32.0	
34.0	5.8	6.7	7.7	8.6		6.5	7.4	8		6.8	7.2	6	5.4	5.2	34.0	
36.0	5.5	6.2	7	8		6.1	6.8	7.4		6.5	6.9	5.9	5.3	5.1	36.0	
38.0	5.2	5.7	6.5	7.4		5.6	6.3	6.9		6.1	6.5	5.7	5.2	5	38.0	
40.0	4.9	5.3	6	6.8		5.2	5.8	6.4		5.7	6.1	5.6	5.1	4.9	40.0	
42.0	4.6	4.9	5.6	6.3		4.8	5.4	5.8		5.2	5.6	5.4	4.9	4.7	42.0	
44.0	4.4	4.5	5.1	5.1		4.5	5	5.4		4.8	5.2	5.2	4.8	4.6	44.0	
46.0	4.2	4.2	4.8	4.5		4.1	4.6	5		4.5	4.8	4.9	4.5	4.3	46.0	
48.0	4	3.8	4.5	4.0		3.8	4.3	4.7		4.1	4.4	4.6	4.3	4.1	48.0	
50.0	3.8	3.6	4.3	3.5		3.6	4	3.8		3.9	4.1	4.3	4.1	3.9	50.0	
52.0	3.6	3.3	4	3.1		3.3	3.7	3.4		3.7	3.8	4	3.9	3.7	52.0	
54.0	3.3	3	3.6	2.7		3	3.4	3.0		3.4	3.5	3.7	3.6	3.4	54.0	
56.0	3.1	2.8	3.0	2.1		2.8	3.1	2.6		3.2	3.2	3.5	3.4	3.2	56.0	
58.0	2.9	2.6	2.6	1.8		2.6	2.9	2.1		3	2.9	3.2	3.1	3	58.0	
60.0	2.6	2.4	2.1	1.5		2.4	2.7	1.8		2.8	2.1	2.6	2.9	2.8	60.0	
62.0						2.3	2.5	1.4		2.6	1.8	2.3	2.7	2.6	62.0	
64.0						2	1.9	1.2		2.4	1.5	1.9	2.0	2.0	64.0	
66.0										2.2	1.3	1.6	1.8	1.7	66.0	
68.0										2		1.4	1.5	1.4	68.0	
70.0										1.7		1.2	1.3	1.2	70.0	
72.0													1.1		72.0	
74.0															74.0	
Reeving	3					3					2		2	2	2	Reeving
Hook	25t														Hook	
Telescoping mode	I	1	1	2	3		1	2	3		2	3	3	3	4	I
	II	2	3	3	3		3	3	3		3	3	3	3	4	II
	III	3	3	3	3		3	3	3		3	3	3	4	4	III
	IV	3	3	3	3		3	3	3		3	3	3	4	4	IV
	V	3	3	3	2		3	3	3		3	3	3	4	4	V
	VI	3	3	2	2		3	3	2		3	3	3	4	4	VI
	VII	3	2	2	2		3	2	2		3	2	3	4	4	VII

Table 8-15 Main boom

Unit: t

Outriggers completely extended, with 50 tons counterweight, counterweight front position, over full range																
Working radius (m)	Boom length (m)														Working radius (m)	
	14.4 ★	19.3	19.3	19.3	19.3	19.3	19.3	19.3 ★	24.2	24.2	24.2	24.2	24.2	24.2		24.2 ★
3.0	122	48.5	55	72	75	95	110								3.0	
3.5	115	46	55	72	75	95	105	23	46	62	70	75	90	90	3.5	
4.0	103	43.5	55	72	75	95	100	22	44	58	67	72	84	85	4.0	
4.5	98	41.7	55	72	75	93	95	21	41	55	64	70	79	80	4.5	
5.0	92	39.5	55	70	75	90	87	20	39	52	60	67	73	76	5.0	
6.0	78	36.5	49	63	73	77	77	17.5	34	45	53	60	65	70	6.0	
7.0	68	33.5	44.5	57.5	67	66	66	16	31	41	47	62	62	63	7.0	
8.0	55	31.5	40.5	53	60	56	55	14.8	28.5	38	44	56	56	55	8.0	
9.0	49	29.5	37.5	48.5	55	49	49	13.7	26.2	35	40	50	50	49	9.0	
10.0	45	27.5	34	45	51	45	45	12.8	24.5	32.5	37	46	45	45	10.0	
12.0		24.5	30	38	41	39.5	38.5	10.9	20.5	27.5	31	40	40	40	12.0	
14.0		22.5	26.5	35.5	35	33.5	33	10	18.5	24	27.5	34	33	32.2	14.0	
16.0								9	16.5	22	25	27.0	26.0	25.0	16.0	
18.0								8.2	15	20	23.2	22.7	21.7	20.3	18.0	
20.0															20.0	
22.0															22.0	
24.0															24.0	
26.0															26.0	
28.0															28.0	
30.0															30.0	
32.0															32.0	
34.0															34.0	
36.0															36.0	
38.0															38.0	
40.0															40.0	
42.0															42.0	
44.0															44.0	
46.0															46.0	
48.0															48.0	
50.0															50.0	
52.0															52.0	
54.0															54.0	
56.0															56.0	
58.0															58.0	
60.0															60.0	
62.0															62.0	
64.0															64.0	
66.0															66.0	
68.0															68.0	
70.0															70.0	
Reeving	14	13						13						Reeving		
Hook	110t														Hook	
Telescoping mode	I	1	1	1	1	1	1	1	1	1	1	1	1	1	2	Telescoping mode
	II	1	1	1	1	1	1	2	1	1	1	1	1	2	2	
	III	1	1	1	1	1	2	1	1	1	1	1	2	2	1	
	IV	1	1	1	1	2	1	1	1	1	1	2	2	1	1	
	V	1	1	1	2	1	1	1	1	1	2	2	1	1	1	
	VI	1	1	2	1	1	1	1	1	1	2	2	1	1	1	
	VII	1	2	1	1	1	1	1	3	2	1	1	1	1	1	

Table 8-15 Main boom

Unit: t

Outriggers completely extended, with 50 tons counterweight, counterweight front position, over full range																
Working radius (m)	Boom length (m)														Working radius (m)	
	29.1	29.1	29.1	29.1	29.1	29.1	29.1 ★	34	34	34	34	34	34	34 ★		
3.0															3.0	
3.5															3.5	
4.0															4.0	
4.5	22	19	45	53	68	80	82								4.5	
5.0	21	18.2	43	51.5	65	78	80								5.0	
6.0	19.3	16.2	38	45.5	60	70	72	13.5	17.5	27	40.5	50	65	68	6.0	
7.0	18.2	14.5	35	41	55	63	65	12.2	16.1	25	37	46	60	63	7.0	
8.0	17	13.1	32	37.5	49	57	57	11.2	14.8	23	34	42	55	58	8.0	
9.0	15.7	12.1	30	34.5	46.5	50	50	10.3	13.7	21	31.5	39	51	53	9.0	
10.0	14.7	11.2	27.6	32	43	46	45	9.6	12.5	19.6	29	36.5	47	49	10.0	
12.0	12.7	9.6	24	27	37	41	40	8	10.8	16.8	24.5	30.8	38	41	12.0	
14.0	11.4	8.3	21	24	33	34	32.3	7.1	9.6	14.9	22	28.5	35	35	14.0	
16.0	10.5	7.4	18.6	21.5	29	27.3	25.7	6.3	8.5	13	19.5	25.5	29.5	26.5	16.0	
18.0	9.6	6.6	17	19.5	23.6	22.4	20.8	5.7	7.7	11.8	17.7	23	23.2	21.6	18.0	
20.0	8.8	6	15.4	17.6	19.9	18.7	17.2	5.1	7.1	10.7	16	21	19.5	17.9	20.0	
22.0	8.1	5.4	14.2	16.2	16.9	15.8	14.3	4.6	6.4	9.9	14.7	19	16.7	15.0	22.0	
24.0								4.2	5.9	9.1	13.6	15.5	14.3	12.8	24.0	
26.0								3.8	5.4	8.4	12.5	13.5	12.3	10.9	26.0	
28.0															28.0	
30.0															30.0	
32.0															32.0	
34.0															34.0	
36.0															36.0	
38.0															38.0	
40.0															40.0	
42.0															42.0	
44.0															44.0	
46.0															46.0	
48.0															48.0	
50.0															50.0	
52.0															52.0	
54.0															54.0	
56.0															56.0	
58.0															58.0	
60.0															60.0	
62.0															62.0	
64.0															64.0	
66.0															66.0	
68.0															68.0	
70.0															70.0	
Reeving	11							9							Reeving	
Hook	90t														Hook	
Telescoping mode	I	1	1	1	1	1	1	2	1	1	1	1	1	1	2	I
	II	1	1	1	1	1	2	2	1	1	1	1	1	2	2	II
	III	1	1	1	1	2	2	2	1	1	1	1	2	2	2	III
	IV	1	1	1	2	2	2	1	1	1	1	2	2	2	2	IV
	V	1	1	2	2	2	1	1	1	2	3	2	2	2	1	V
	VI	2	3	2	2	1	1	1	3	3	2	2	2	1	1	VI
	VII	3	2	2	1	1	1	1	3	2	2	2	1	1	1	VII

Table 8-15 Main boom

Unit: t

Outriggers completely extended, with 50 tons counterweight, counterweight front position, over full range																
Working radius (m)	Boom length (m)														Working radius (m)	
	38.9	38.9	38.9	38.9	38.9	38.9	38.9★	43.8	43.8	43.8	43.8	43.8	43.8	43.8★		
3.0																3.0
3.5																3.5
4.0																4.0
4.5																4.5
5.0																5.0
6.0																6.0
7.0	13.4	17.3	19	24	40	51	60									7.0
8.0	12.3	16.1	17.5	22.3	37.2	47.5	57									8.0
9.0	11.5	14.9	16.1	20.6	34.5	44	53	12	14.7	17.5	22.1	27.5	38	48		9.0
10.0	10.7	13.8	14.9	19	32.5	41.5	50	11.5	13.7	16.2	20.7	25.8	36	45.5		10.0
12.0	9.1	12	12.7	16.2	27.5	35	40	9.9	11.5	14	17.6	22.3	31.7	40		12.0
14.0	8	10.8	11.2	14.2	25	32	36	8.8	10	12.5	15.7	19.5	28.2	35		14.0
16.0	7.1	9.7	10	12.5	22.5	28.5	27.3	7.9	9	11	13.8	17.3	25.3	28.3		16.0
18.0	6.4	8.8	9	11.3	20.2	25	22.4	7.2	8	10	12.5	15.5	23.1	23.3		18.0
20.0	5.9	8	8	10.2	18.5	20.3	18.7	6.6	7.3	9	11.3	14	21	19.5		20.0
22.0	5.3	7.2	7.3	9.3	16.8	17.5	15.8	6	6.6	8.2	10.2	12.8	19.6	16.7		22.0
24.0	4.9	6.8	6.7	8.5	15.5	15.0	13.5	5.6	6	7.6	9.4	11.7	15.8	14.3		24.0
26.0	4.6	6.3	6.1	7.8	14.5	13.1	11.6	5.2	5.5	6.9	8.6	10.7	13.9	12.4		26.0
28.0	4.2	5.9	5.6	7.2	13.6	11.5	10.0	4.8	5	6.4	7.9	9.9	12.2	10.8		28.0
30.0	3.9	5.5	5.1	6.6	11.3	10.2	8.6	4.5	4.6	5.9	7.3	9.2	10.9	9.5		30.0
32.0	3.6	5.1	4.7	6	10.1	9.0	7.5	4.2	4.3	5.5	6.8	7.6	9.7	8.3		32.0
34.0								3.9	3.9	5	6.3	8	8.6	7.2		34.0
36.0								3.6	3.6	4.7	5.9	7.5	7.7	6.3		36.0
38.0																38.0
40.0																40.0
42.0																42.0
44.0																44.0
46.0																46.0
48.0																48.0
50.0																50.0
52.0																52.0
54.0																54.0
56.0																56.0
58.0																58.0
60.0																60.0
62.0																62.0
64.0																64.0
66.0																66.0
68.0																68.0
70.0																70.0
Reeving	8							6							Reeving	
Hook	90t							55t							Hook	
Telescoping mode	I	1	1	1	1	1	1	2	1	1	1	1	1	1	2	I
	II	1	1	1	1	1	2	2	1	1	1	1	1	2	2	II
	III	1	1	1	1	2	2	2	1	1	1	2	3	2	2	III
	IV	1	1	2	3	2	2	2	1	2	3	3	2	2	2	IV
	V	2	3	3	2	2	2	2	3	3	3	2	2	2	2	V
	VI	3	3	2	2	2	2	2	1	3	3	2	2	2	2	VI
	VII	3	2	2	2	2	1	1	3	2	2	2	2	2	1	VII

Table 8-15 Main boom

Unit: t

Outriggers completely extended, with 50 tons counterweight, counterweight front position, over full range																
Working radius (m)	Boom length (m)														Working radius (m)	
	48.7	48.7	48.7	48.7	48.7	48.7	48.7★	53.6	53.6	53.6	53.6	53.6	53.6	53.6		
3.0																3.0
3.5																3.5
4.0																4.0
4.5																4.5
5.0																5.0
6.0																6.0
7.0																7.0
8.0																8.0
9.0																9.0
10.0	12.2	14.7	17.5	22	26.3	27	39									10.0
12.0	10.7	12.5	15	19.2	22.8	23.5	35.2	11	13.2	15.8	20.5	21.5	25	30		12.0
14.0	9.6	11.2	13.3	17	20	21	32.5	10	12	14.3	18.6	19.3	22	26.5		14.0
16.0	8.7	10	12	15.1	17.6	18.5	29.5	9.2	10.9	13	16.8	17	20	23.7		16.0
18.0	7.7	9	11	13.7	16	16.5	26.8	8.3	9.7	11.8	15	15.3	18	21.4		18.0
20.0	6.9	8.1	10	12.5	14.3	14.8	20.4	7.6	8.9	10.8	13.6	14	16.5	19.5		20.0
22.0	6.3	7.3	9.1	11.4	13	13.5	17.5	7	8.2	10	12.5	12.6	14.9	17.5		22.0
24.0	5.8	6.8	8.5	10.5	11.7	12.3	15.1	6.4	7.5	9.3	11.3	11.5	13.6	16		24.0
26.0	5.3	6.3	7.9	9.7	10.9	11.2	13.1	5.9	6.9	8.6	10.4	10.5	12.4	12.6		26.0
28.0	4.8	5.8	7.3	9	10	10.3	11.5	5.4	6.4	8	9.5	9.6	11.3	11.0		28.0
30.0	4.4	5.3	6.8	8.3	9.4	9.4	10.2	5	5.9	7.5	8.7	8.7	10.4	9.6		30.0
32.0	4.1	4.9	6.3	7.7	8.7	8.7	9.0	4.6	5.5	7	8.1	8	9.6	8.5		32.0
34.0	3.8	4.6	5.8	7.2	7.9	7.5	7.9	4.3	5.2	6.5	7.5	7.4	7.7	7.4		34.0
36.0	3.5	4.3	5.3	6.7	7.4	7	7.0	4	4.8	6.1	6.9	6.8	6.8	6.5		36.0
38.0	3.2	4	4.9	6.3	6.9	6.4	6.2	3.7	4.5	5.7	6.4	6.3	6.0	5.7		38.0
40.0	3	3.7	4.7	5.8	6.4	6	5.5	3.4	4.2	5.4	5.9	5.8	5.3	5.0		40.0
42.0								3.3	4	4.9	5.5	5.4	4.7	4.3		42.0
44.0								3	3.8	4.6	5.1	5	4.1	3.8		44.0
46.0																46.0
48.0																48.0
50.0																50.0
52.0																52.0
54.0																54.0
56.0																56.0
58.0																58.0
60.0																60.0
62.0																62.0
64.0																64.0
66.0																66.0
68.0																68.0
70.0																70.0
Reeving	5							4							Reeving	
Hook	55t														Hook	
Telescoping mode	I	1	1	1	1	1	1	2	1	1	1	1	1	2	3	I
	II	1	1	1	1	2	3	2	1	1	1	2	3	3	2	II
	III	1	1	2	3	3	2	2	1	2	3	3	3	2	2	III
	IV	2	3	3	3	2	2	2	3	3	3	3	2	2	2	IV
	V	3	3	3	2	2	2	2	3	3	3	2	2	2	2	V
	VI	3	3	2	2	2	2	2	3	3	2	2	2	2	2	VI
	VII	3	2	2	2	2	2	2	2	3	2	2	2	2	2	VII

Table 8-15 Main boom

Unit: t

Outriggers completely extended, with 50 tons counterweight, counterweight front position, over full range																
Working radius (m)	Boom length (m)													Working radius (m)		
	58.5	58.5	58.5	58.5	58.5	58.5★				63.4	63.4	63.4	63.4		63.4★	
3.0															3.0	
3.5															3.5	
4.0															4.0	
4.5															4.5	
5.0															5.0	
6.0															6.0	
7.0															7.0	
8.0															8.0	
9.0															9.0	
10.0															10.0	
12.0															12.0	
14.0	10.5	12.6	15.2	18	20.5	23				10.7	13.5	15.8	18	19	14.0	
16.0	9.6	11.5	14.3	16.6	19	21				10.1	12.5	15.1	17.7	18.7	16.0	
18.0	9	10.5	13	15	17.2	19.5				9.3	11.5	13.9	16.2	17.8	18.0	
20.0	8.2	9.6	12.1	13.6	14.8	17.8				8.7	10.5	12.8	14.5	16.3	20.0	
22.0	7.6	8.9	11.2	12	14.2	16.2				8.1	9.7	11.5	13.5	14.9	22.0	
24.0	7	8.2	10.3	11	12.8	14.8				7.5	9	10.5	12.3	13.8	24.0	
26.0	6.4	7.6	9.7	9.9	11.6	13.6				7	8.4	9.6	11.1	12.8	26.0	
28.0	5.9	7	9	9.1	10.6	10.9				6.5	7.9	8.8	10.2	11.7	28.0	
30.0	5.5	6.6	8.4	8.4	10	9.5				6	7.4	8.1	9.5	9.6	30.0	
32.0	5.1	6.1	7.9	7.7	9.2	8.3				5.7	6.9	7.5	8.6	8.5	32.0	
34.0	4.8	5.7	7.2	7	8.3	7.3				5.3	6.5	6.9	8	7.4	34.0	
36.0	4.5	5.4	6.7	6.5	7.7	6.4				5	6.1	6.4	7.4	6.5	36.0	
38.0	4.2	5.1	6.2	5.9	6.1	5.6				4.7	5.8	5.9	6.8	5.7	38.0	
40.0	4	4.8	5.8	5.5	5.4	4.9				4.2	5.4	5.4	5.6	5.0	40.0	
42.0	3.7	4.5	5.4	5	4.8	4.2				4.1	5.1	4.9	5.0	4.3	42.0	
44.0	3.5	4.3	5	4.7	4.1	3.7				3.9	4.8	4.6	4.3	3.7	44.0	
46.0	3.3	4	4.6	4	3.6	3.2				3.7	4.4	4.2	3.8	3.2	46.0	
48.0	3	3.7	4.3	3.9	3.2	2.6				3.5	4.1	3.9	3.3	2.7	48.0	
50.0	2.8	3.5	4	3.6	2.7	2.1				3.3	3.8	3.6	2.9	2.1	50.0	
52.0										3.0	3.5	3.3	2.5	1.8	52.0	
54.0										2.9	3.3	3	2.0	1.4	54.0	
56.0															56.0	
58.0															58.0	
60.0															60.0	
62.0															62.0	
64.0															64.0	
66.0															66.0	
68.0															68.0	
70.0															70.0	
Reeving	4						3						Reeving			
Hook	55t						25t						Hook			
Telescoping mode	I	1	1	1	1	2	3				1	1	1	2	3	Telescoping mode
	II	1	1	2	3	3	3				1	2	3	3	3	
	III	2	3	3	3	3	2				3	3	3	3	3	
	IV	3	3	3	3	2	2				3	3	3	3	2	
	V	3	3	3	2	2	2				3	3	3	2	2	
	VI	3	3	2	2	2	2				3	3	2	2	2	
	VII	3	2	2	2	2	2				3	2	2	2	2	



Table 8-15 Main boom

Unit: t

Outriggers completely extended, with 50 tons counterweight, counterweight front position, over full range																
Working radius (m)	Boom length (m)														Working radius (m)	
	68.3	68.3	68.3	68.3 ★		73.2	73.2	73.2 ★		78.1	78.1 ★	83 ★	86.2 ★	88 ★		
6.0															6.0	
7.0															7.0	
8.0															8.0	
9.0															9.0	
10.0															10.0	
12.0															12.0	
14.0															14.0	
16.0	10.5	13	14.5	15.5											16.0	
18.0	9.9	12.2	14	15		10	10.8	11.5							18.0	
20.0	9.3	11.3	13.5	14.5		9.7	10.5	11.2		8.2	9				20.0	
22.0	8.7	10.6	12.6	13.6		9.2	10.1	10.8		8	8.7	7.1			22.0	
24.0	8.2	9.8	11.5	12.5		8.7	9.7	10.4		7.8	8.4	7	6	5.7	24.0	
26.0	7.6	9.2	10.6	11.5		8.2	9.3	10		7.6	8.2	6.8	5.8	5.6	26.0	
28.0	7	8.6	9.7	10.8		7.8	8.9	9.6		7.4	8	6.6	5.7	5.5	28.0	
30.0	6.6	7.9	8.9	10		7.3	8.5	9.2		7.2	7.8	6.4	5.6	5.4	30.0	
32.0	6.2	7.3	8.3	9.3		6.9	8	8.6		7	7.5	6.2	5.5	5.3	32.0	
34.0	5.8	6.7	7.7	7.7		6.5	7.4	8		6.8	7.2	6	5.4	5.2	34.0	
36.0	5.5	6.2	7	6.8		6.1	6.8	7.4		6.5	6.9	5.9	5.3	5.1	36.0	
38.0	5.2	5.7	6.5	5.9		5.6	6.3	6.9		6.1	6.5	5.7	5.2	5	38.0	
40.0	4.9	5.3	6	5.2		5.2	5.8	5.5		5.7	6.1	5.6	5.1	4.9	40.0	
42.0	4.6	4.9	5.6	4.5		4.8	5.4	4.9		5.2	5.6	5.4	4.9	4.7	42.0	
44.0	4.4	4.5	5.1	4.0		4.5	5	4.2		4.8	5.2	5.2	4.8	4.6	44.0	
46.0	4.2	4.2	4.1	3.4		4.1	4.6	3.7		4.5	4.1	4.9	4.5	4.3	46.0	
48.0	4	3.8	3.6	3.0		3.8	4.3	3.2		4.1	3.6	4.1	4.3	4.1	48.0	
50.0	3.8	3.6	3.2	2.5		3.6	3.5	2.8		3.9	3.2	3.6	4.1	3.9	50.0	
52.0	3.6	3.3	2.8	2.0		3.3	3.2	2.4		3.7	2.8	3.2	3.3	3.2	52.0	
54.0	3.3	3	2.4	1.6		3	2.8	1.9		3.4	2.3	2.8	3.0	2.9	54.0	
56.0	3.1	2.8	2.0	1.3		2.8	2.4	1.5		2.8	1.9	2.4	2.6	2.5	56.0	
58.0	2.9	2.6	1.6			2.6	2.0	1.3		2.4	1.6	2.0	2.1	2.0	58.0	
60.0	2.6	2.4	1.4			2.4	1.7			2.0	1.3	1.7	1.8	1.7	60.0	
62.0						2.3	1.4			1.8		1.4	1.5	1.4	62.0	
64.0						2	1.2			1.5		1.2	1.3	1.2	64.0	
66.0										1.3					66.0	
68.0															68.0	
70.0															70.0	
72.0															72.0	
74.0															74.0	
Reeving	3					3					2		2	2	2	Reeving
Hook	25t														Hook	
Telescoping mode	I	1	1	2	3		1	2	3		2	3	3	3	4	I
	II	2	3	3	3		3	3	3		3	3	3	3	4	II
	III	3	3	3	3		3	3	3		3	3	3	4	4	III
	IV	3	3	3	3		3	3	3		3	3	3	4	4	IV
	V	3	3	3	2		3	3	3		3	3	3	4	4	V
	VI	3	3	2	2		3	3	2		3	3	3	4	4	VI
	VII	3	2	2	2		3	2	2		3	2	3	4	4	VII

Table 8-16 Main boom

Unit: t

Outriggers completely extended, with 45 tons counterweight, counterweight front position, over full range																
Working radius (m)	Boom length (m)														Working radius (m)	
	14.4 ★	19.3	19.3	19.3	19.3	19.3	19.3	19.3 ★	24.2	24.2	24.2	24.2	24.2	24.2		24.2 ★
3.0	120	48.5	55	72	75	95	110								3.0	
3.5	114	46	55	72	75	95	105	23	46	62	70	75	90	90	3.5	
4.0	102	43.5	55	72	75	95	98	22	44	58	67	72	84	85	4.0	
4.5	96	41.7	55	72	75	92	93	21	41	55	64	70	79	80	4.5	
5.0	89	39.5	55	70	75	84	86	20	39	52	60	67	73	76	5.0	
6.0	75	36.5	49	63	73	75	75	17.5	34	45	53	60	65	70	6.0	
7.0	65	33.5	44.5	57.5	65	65	65	16	31	41	47	62	62	64	7.0	
8.0	52	31.5	40.5	53	53	53	53	14.8	28.5	38	44	53	52	52	8.0	
9.0	46	29.5	37.5	48.5	47	47	47	13.7	26.2	35	40	47	46	46	9.0	
10.0	42	27.5	34	45	42	41.5	43	12.8	24.5	32.5	37	42	41	41	10.0	
12.0		24.5	30	38	38	37.5	37	10.9	20.5	27.5	31	38.5	38	37	12.0	
14.0		22.5	26.5	35	31.6	31.0	30.2	10	18.5	24	27.5	31.9	30.7	29.2	14.0	
16.0								9	16.5	22	25	25.5	24.5	23.0	16.0	
18.0								8.2	15	20	23.2	20.9	19.9	18.5	18.0	
20.0															20.0	
22.0															22.0	
24.0															24.0	
26.0															26.0	
28.0															28.0	
30.0															30.0	
32.0															32.0	
34.0															34.0	
36.0															36.0	
38.0															38.0	
40.0															40.0	
42.0															42.0	
44.0															44.0	
46.0															46.0	
48.0															48.0	
50.0															50.0	
52.0															52.0	
54.0															54.0	
56.0															56.0	
58.0															58.0	
60.0															60.0	
62.0															62.0	
64.0															64.0	
66.0															66.0	
68.0															68.0	
70.0															70.0	
Reeving	14	13						13						Reeving		
Hook	110t														Hook	
Telescoping mode	I	1	1	1	1	1	1	1	1	1	1	1	1	1	2	I
	II	1	1	1	1	1	1	2	1	1	1	1	1	2	2	II
	III	1	1	1	1	1	2	1	1	1	1	1	2	2	1	III
	IV	1	1	1	1	2	1	1	1	1	1	2	2	1	1	IV
	V	1	1	1	2	1	1	1	1	1	2	2	1	1	1	V
	VI	1	1	2	1	1	1	1	1	1	2	2	1	1	1	VI
	VII	1	2	1	1	1	1	1	3	2	1	1	1	1	1	VII

Table 8-16 Main boom

Unit: t

Outriggers completely extended, with 45 tons counterweight, counterweight front position, over full range																
Working radius (m)	Boom length (m)														Working radius (m)	
	29.1	29.1	29.1	29.1	29.1	29.1	29.1★	34	34	34	34	34	34	34★		
3.0															3.0	
3.5															3.5	
4.0															4.0	
4.5	22	19	45	53	68	80	82								4.5	
5.0	21	18.2	43	51.5	65	78	80								5.0	
6.0	19.3	16.2	38	45.5	60	70	72	13.5	17.5	27	40.5	50	65	68	6.0	
7.0	18.2	14.5	35	41	55	63	65	12.2	16.1	25	37	46	60	63	7.0	
8.0	17	13.1	32	37.5	49	57	57	11.2	14.8	23	34	42	55	58	8.0	
9.0	15.7	12.1	30	34.5	46.5	48	48	10.3	13.7	21	31.5	39	51	53	9.0	
10.0	14.7	11.2	27.6	32	43	48	43	9.6	12.5	19.6	29	36.5	45	46	10.0	
12.0	12.7	9.6	24	27	37	39	38	8	10.8	16.8	24.5	30.8	37	40	12.0	
14.0	11.4	8.3	21	24	33	31.5	29.8	7.1	9.6	14.9	22	28.5	31	30.6	14.0	
16.0	10.5	7.4	18.6	21.5	26.5	25.2	23.6	6.3	8.5	13	19.5	25.5	26.1	24.4	16.0	
18.0	9.6	6.6	17	19.5	21.8	20.6	19.1	5.7	7.7	11.8	17.7	23	21.4	19.8	18.0	
20.0	8.8	6	15.4	17.6	18.3	17.2	15.7	5.1	7.1	10.7	16	21	18.0	16.4	20.0	
22.0	8.1	5.4	14.2	16.2	15.6	14.5	13.0	4.6	6.4	9.9	14.7	16.4	15.2	13.7	22.0	
24.0								4.2	5.9	9.1	13.6	14.2	13.1	11.5	24.0	
26.0								3.8	5.4	8.4	12.5	12.3	11.3	9.7	26.0	
28.0															28.0	
30.0															30.0	
32.0															32.0	
34.0															34.0	
36.0															36.0	
38.0															38.0	
40.0															40.0	
42.0															42.0	
44.0															44.0	
46.0															46.0	
48.0															48.0	
50.0															50.0	
52.0															52.0	
54.0															54.0	
56.0															56.0	
58.0															58.0	
60.0															60.0	
62.0															62.0	
64.0															64.0	
66.0															66.0	
68.0															68.0	
70.0															70.0	
Reeving	11							9							Reeving	
Hook	90t														Hook	
Telescoping mode	I	1	1	1	1	1	1	2	1	1	1	1	1	1	2	I
	II	1	1	1	1	1	2	2	1	1	1	1	1	2	2	II
	III	1	1	1	1	2	2	2	1	1	1	1	2	2	2	III
	IV	1	1	1	2	2	2	1	1	1	1	2	2	2	2	IV
	V	1	1	2	2	2	1	1	1	2	3	2	2	2	1	V
	VI	2	3	2	2	1	1	1	3	3	2	2	2	1	1	VI
	VII	3	2	2	1	1	1	1	3	2	2	2	1	1	1	VII

Table 8-16 Main boom

Unit: t

Outriggers completely extended, with 45 tons counterweight, counterweight front position, over full range																
Working radius (m)	Boom length (m)														Working radius (m)	
	38.9	38.9	38.9	38.9	38.9	38.9	38.9★	43.8	43.8	43.8	43.8	43.8	43.8	43.8★		
3.0																3.0
3.5																3.5
4.0																4.0
4.5																4.5
5.0																5.0
6.0																6.0
7.0	13.4	17.3	19	24	40	51	60									7.0
8.0	12.3	16.1	17.5	22.3	37.2	47.5	57									8.0
9.0	11.5	14.9	16.1	20.6	34.5	44	53	12	14.7	17.5	22.1	27.5	38	48		9.0
10.0	10.7	13.8	14.9	19	32.5	41.5	50	11.5	13.7	16.2	20.7	25.8	36	45.5		10.0
12.0	9.1	12	12.7	16.2	27.5	35	39	9.9	11.5	14	17.6	22.3	31.7	40		12.0
14.0	8	10.8	11.2	14.2	25	32	31.6	8.8	10	12.5	15.7	19.5	28.2	35		14.0
16.0	7.1	9.7	10	12.5	22.5	28.5	25.2	7.9	9	11	13.8	17.3	25.3	26.1		16.0
18.0	6.4	8.8	9	11.3	20.2	22.3	20.6	7.2	8	10	12.5	15.5	23.1	21.5		18.0
20.0	5.9	8	8	10.2	18.5	18.7	17.2	6.6	7.3	9	11.3	14	21	18.0		20.0
22.0	5.3	7.2	7.3	9.3	16.8	16.0	14.5	6	6.6	8.2	10.2	12.8	16.8	15.2		22.0
24.0	4.9	6.8	6.7	8.5	15.5	13.8	12.2	5.6	6	7.6	9.4	11.7	14.6	13.1		24.0
26.0	4.6	6.3	6.1	7.8	14.5	12.0	10.4	5.2	5.5	6.9	8.6	10.7	12.8	11.3		26.0
28.0	4.2	5.9	5.6	7.2	11.6	10.4	9.0	4.8	5	6.4	7.9	9.9	11.2	9.7		28.0
30.0	3.9	5.5	5.1	6.6	10.4	9.2	7.7	4.5	4.6	5.9	7.3	9.2	9.9	8.5		30.0
32.0	3.6	5.1	4.7	6	9.2	8.1	6.6	4.2	4.3	5.5	6.8	7.6	8.8	7.4		32.0
34.0								3.9	3.9	5	6.3	8	7.8	6.4		34.0
36.0								3.6	3.6	4.7	5.9	7.5	6.9	5.5		36.0
38.0																38.0
40.0																40.0
42.0																42.0
44.0																44.0
46.0																46.0
48.0																48.0
50.0																50.0
52.0																52.0
54.0																54.0
56.0																56.0
58.0																58.0
60.0																60.0
62.0																62.0
64.0																64.0
66.0																66.0
68.0																68.0
70.0																70.0
Reeving	8							6							Reeving	
Hook	90t							55t							Hook	
Telescoping mode	I	1	1	1	1	1	1	2	1	1	1	1	1	1	2	I
	II	1	1	1	1	1	2	2	1	1	1	1	1	2	2	II
	III	1	1	1	1	2	2	2	1	1	1	2	3	2	2	III
	IV	1	1	2	3	2	2	2	1	2	3	3	2	2	2	IV
	V	2	3	3	2	2	2	2	3	3	3	2	2	2	2	V
	VI	3	3	2	2	2	2	2	1	3	3	2	2	2	2	VI
	VII	3	2	2	2	2	1	1	3	2	2	2	2	2	1	VII

Table 8-16 Main boom

Unit: t

Outriggers completely extended, with 45 tons counterweight, counterweight front position, over full range																
Working radius (m)	Boom length (m)														Working radius (m)	
	48.7	48.7	48.7	48.7	48.7	48.7	48.7★	53.6	53.6	53.6	53.6	53.6	53.6	53.6		
3.0																3.0
3.5																3.5
4.0																4.0
4.5																4.5
5.0																5.0
6.0																6.0
7.0																7.0
8.0																8.0
9.0																9.0
10.0	12.2	14.7	17.5	22	26.3	27	39									10.0
12.0	10.7	12.5	15	19.2	22.8	23.5	35.2	11	13.2	15.8	20.5	21.5	25	30		12.0
14.0	9.6	11.2	13.3	17	20	21	32.5	10	12	14.3	18.6	19.3	22	26.5		14.0
16.0	8.7	10	12	15.1	17.6	18.5	29.5	9.2	10.9	13	16.8	17	20	23.7		16.0
18.0	7.7	9	11	13.7	16	16.5	22.4	8.3	9.7	11.8	15	15.3	18	21.4		18.0
20.0	6.9	8.1	10	12.5	14.3	14.8	18.8	7.6	8.9	10.8	13.6	14	16.5	19.5		20.0
22.0	6.3	7.3	9.1	11.4	13	13.5	16.1	7	8.2	10	12.5	12.6	14.9	15.5		22.0
24.0	5.8	6.8	8.5	10.5	11.7	12.3	13.9	6.4	7.5	9.3	11.3	11.5	13.6	13.3		24.0
26.0	5.3	6.3	7.9	9.7	10.9	11.2	12.0	5.9	6.9	8.6	10.4	10.5	12.4	11.4		26.0
28.0	4.8	5.8	7.3	9	10	10.3	10.4	5.4	6.4	8	9.5	9.6	11.3	9.9		28.0
30.0	4.4	5.3	6.8	8.3	9.4	9.4	9.2	5	5.9	7.5	8.7	8.7	9.0	8.6		30.0
32.0	4.1	4.9	6.3	7.7	8.7	8.7	8.1	4.6	5.5	7	8.1	8	7.9	7.5		32.0
34.0	3.8	4.6	5.8	7.2	7.9	7.5	7.1	4.3	5.2	6.5	7.5	7.4	6.9	6.6		34.0
36.0	3.5	4.3	5.3	6.7	7.4	7	6.2	4	4.8	6.1	6.9	6.8	6.0	5.7		36.0
38.0	3.2	4	4.9	6.3	6.1	6.4	5.5	3.7	4.5	5.7	6.4	6.3	5.3	5.0		38.0
40.0	3	3.7	4.7	5.8	5.4	5.2	4.9	3.4	4.2	5.4	5.9	5.8	4.6	4.2		40.0
42.0								3.3	4	4.9	5.5	4.6	4.1	3.7		42.0
44.0								3	3.8	4.6	4.4	4.1	3.5	3.2		44.0
46.0																46.0
48.0																48.0
50.0																50.0
52.0																52.0
54.0																54.0
56.0																56.0
58.0																58.0
60.0																60.0
62.0																62.0
64.0																64.0
66.0																66.0
68.0																68.0
70.0																70.0
Reeving	5							4							Reeving	
Hook	55t														Hook	
Telescoping mode	I	1	1	1	1	1	1	2	1	1	1	1	1	2	3	I
	II	1	1	1	1	2	3	2	1	1	1	2	3	3	2	II
	III	1	1	2	3	3	2	2	1	2	3	3	3	2	2	III
	IV	2	3	3	3	2	2	2	3	3	3	3	2	2	2	IV
	V	3	3	3	2	2	2	2	3	3	3	2	2	2	2	V
	VI	3	3	2	2	2	2	2	3	3	2	2	2	2	2	VI
	VII	3	2	2	2	2	2	2	3	2	2	2	2	2	2	VII

Table 8-16 Main boom

Unit: t

Outriggers completely extended, with 45 tons counterweight, counterweight front position, over full range																
Working radius (m)	Boom length (m)														Working radius (m)	
	58.5	58.5	58.5	58.5	58.5	58.5★					63.4	63.4	63.4	63.4		63.4★
3.0																3.0
3.5																3.5
4.0																4.0
4.5																4.5
5.0																5.0
6.0																6.0
7.0																7.0
8.0																8.0
9.0																9.0
10.0																10.0
12.0																12.0
14.0	10.5	12.6	15.2	18	20.5	23				10.7	13.5	15.8	18	19	14.0	
16.0	9.6	11.5	14.3	16.6	19	21				10.1	12.5	15.1	17.7	18.7	16.0	
18.0	9	10.5	13	15	17.2	19.5				9.3	11.5	13.9	16.2	17.8	18.0	
20.0	8.2	9.6	12.1	13.6	14.8	17.8				8.7	10.5	12.8	14.5	16.3	20.0	
22.0	7.6	8.9	11.2	12	14.2	16.2				8.1	9.7	11.5	13.5	14.9	22.0	
24.0	7	8.2	10.3	11	12.8	13.2				7.5	9	10.5	12.3	13.8	24.0	
26.0	6.4	7.6	9.7	9.9	11.6	11.3				7	8.4	9.6	11.1	12.8	26.0	
28.0	5.9	7	9	9.1	10.6	9.8				6.5	7.9	8.8	10.2	9.9	28.0	
30.0	5.5	6.6	8.4	8.4	10	8.6				6	7.4	8.1	9.5	8.6	30.0	
32.0	5.1	6.1	7.9	7.7	7.9	7.4				5.7	6.9	7.5	8.6	7.5	32.0	
34.0	4.8	5.7	7.2	7	6.9	6.4				5.3	6.5	6.9	8	6.5	34.0	
36.0	4.5	5.4	6.7	6.5	6.1	5.6				5	6.1	6.4	6.3	5.7	36.0	
38.0	4.2	5.1	6.2	5.9	5.3	4.8				4.7	5.8	5.9	5.6	4.9	38.0	
40.0	4	4.8	5.8	5.5	4.7	4.1				4.2	5.4	5.4	4.9	4.2	40.0	
42.0	3.7	4.5	5.4	5	4.1	3.5				4.1	5.1	4.9	4.2	3.6	42.0	
44.0	3.5	4.3	5	4.7	3.5	3.0				3.9	4.8	4.6	3.7	3.1	44.0	
46.0	3.3	4	4.6	4	3.1	2.5				3.7	4.4	4.2	3.2	2.6	46.0	
48.0	3	3.7	3.7	3.2	2.5	2.0				3.5	4.1	3.9	2.8	2.0	48.0	
50.0	2.8	3.5	3.3	2.8	2.0	1.5				3.3	3.8	3.1	2.3	1.6	50.0	
52.0										3.0	3.5	2.7	1.9	1.3	52.0	
54.0										2.9	2.9	2.3	1.5		54.0	
56.0															56.0	
58.0															58.0	
60.0															60.0	
62.0															62.0	
64.0															64.0	
66.0															66.0	
68.0															68.0	
70.0															70.0	
Reeving	4										3					Reeving
Hook	55t										25t					Hook
Telescoping mode	I	1	1	1	1	2	3				1	1	1	2	3	I
	II	1	1	2	3	3	3				1	2	3	3	3	II
	III	2	3	3	3	3	2				3	3	3	3	3	III
	IV	3	3	3	3	2	2				3	3	3	3	2	IV
	V	3	3	3	2	2	2				3	3	3	2	2	V
	VI	3	3	2	2	2	2				3	3	2	2	2	VI
	VII	3	2	2	2	2	2				3	2	2	2	2	VII

Table 8-16 Main boom

Unit: t

Outriggers completely extended, with 45 tons counterweight, counterweight front position, over full range																
Working radius (m)	Boom length (m)														Working radius (m)	
	68.3	68.3	68.3	68.3 ★		73.2	73.2	73.2 ★		78.1	78.1 ★	83 ★	86.2 ★	88 ★		
6.0															6.0	
7.0															7.0	
8.0															8.0	
9.0															9.0	
10.0															10.0	
12.0															12.0	
14.0															14.0	
16.0	10.5	13	14.5	15.5											16.0	
18.0	9.9	12.2	14	15		10	10.8	11.5							18.0	
20.0	9.3	11.3	13.5	14.5		9.7	10.5	11.2		8.2	9				20.0	
22.0	8.7	10.6	12.6	13.6		9.2	10.1	10.8		8	8.7	7.1			22.0	
24.0	8.2	9.8	11.5	12.5		8.7	9.7	10.4		7.8	8.4	7	6	5.7	24.0	
26.0	7.6	9.2	10.6	11.5		8.2	9.3	10		7.6	8.2	6.8	5.8	5.6	26.0	
28.0	7	8.6	9.7	10.8		7.8	8.9	9.6		7.4	8	6.6	5.7	5.5	28.0	
30.0	6.6	7.9	8.9	8.9		7.3	8.5	9.2		7.2	7.8	6.4	5.6	5.4	30.0	
32.0	6.2	7.3	8.3	7.7		6.9	8	8.6		7	7.5	6.2	5.5	5.3	32.0	
34.0	5.8	6.7	7.7	6.8		6.5	7.4	7.1		6.8	7.2	6	5.4	5.2	34.0	
36.0	5.5	6.2	7	5.9		6.1	6.8	6.2		6.5	6.9	5.9	5.3	5.1	36.0	
38.0	5.2	5.7	6.5	5.1		5.6	6.3	5.5		6.1	6.5	5.7	5.2	5	38.0	
40.0	4.9	5.3	5.1	4.5		5.2	5.8	4.8		5.7	5.2	5.6	5.1	4.9	40.0	
42.0	4.6	4.9	4.6	3.9		4.8	5.4	4.1		5.2	4.6	5.4	4.9	4.7	42.0	
44.0	4.4	4.5	4.0	3.3		4.5	4.4	3.6		4.8	4.0	4.4	4.8	4.6	44.0	
46.0	4.2	4.2	3.5	2.8		4.1	3.9	3.1		4.5	3.5	3.9	4.5	4.3	46.0	
48.0	4	3.8	3.1	2.3		3.8	3.4	2.6		4.1	3.0	3.4	3.6	3.5	48.0	
50.0	3.8	3.6	2.6	1.8		3.6	3.0	2.1		3.4	2.6	3.0	3.2	3.1	50.0	
52.0	3.6	3.3	2.1	1.4		3.3	2.6	1.7		3.0	2.0	2.6	2.8	2.7	52.0	
54.0	3.3	3	1.8	1.1		3	2.1	1.4		2.6	1.7	2.1	2.4	2.3	54.0	
56.0	3.1	2.3	1.4			2.8	1.8	1.1		2.1	1.4	1.8	2.0	1.9	56.0	
58.0	2.9	2.0	1.2			2.6	1.5			1.9	1.1	1.5	1.6	1.5	58.0	
60.0	2.6	1.6				2.4	1.2			1.6		1.2	1.4	1.3	60.0	
62.0						1.7				1.4			1.1		62.0	
64.0						1.5				1.1					64.0	
66.0															66.0	
68.0															68.0	
70.0															70.0	
72.0															72.0	
74.0															74.0	
Reeving	3					3					2		2	2	2	Reeving
Hook	25t														Hook	
Telescoping mode	I	1	1	2	3		1	2	3		2	3	3	3	4	I
	II	2	3	3	3		3	3	3		3	3	3	3	4	II
	III	3	3	3	3		3	3	3		3	3	3	4	4	III
	IV	3	3	3	3		3	3	3		3	3	3	4	4	IV
	V	3	3	3	2		3	3	3		3	3	3	4	4	V
	VI	3	3	2	2		3	3	2		3	3	3	4	4	VI
	VII	3	2	2	2		3	2	2		3	2	3	4	4	VII

Table 8-17 Main boom

Unit: t

Outriggers completely extended, with 36 tons counterweight, counterweight front position, over full range																
Working radius (m)	Boom length (m)														Working radius (m)	
	14.4 ★	19.3	19.3	19.3	19.3	19.3	19.3	19.3 ★	24.2	24.2	24.2	24.2	24.2	24.2		24.2 ★
3.0	118	48.5	55	72	75	95	110								3.0	
3.5	112	46	55	72	75	95	102	23	46	62	70	75	90	90	3.5	
4.0	102	43.5	55	72	75	93	95	22	44	58	67	72	84	85	4.0	
4.5	94	41.7	55	72	75	87	90	21	41	55	64	70	79	80	4.5	
5.0	87	39.5	55	70	75	80	83	20	39	52	60	67	73	76	5.0	
6.0	72	36.5	49	63	71	71	73	17.5	34	45	53	60	65	70	6.0	
7.0	61	33.5	44.5	57.5	61	61	61	16	31	41	47	60	60	61	7.0	
8.0	49	31.5	40.5	53	50	49	49	14.8	28.5	38	44	51	51	50	8.0	
9.0	44	29.5	37.5	48.5	44	43	43	13.7	26.2	35	40	44	44	43	9.0	
10.0	39	27.5	34	45	39	38	39	12.8	24.5	32.5	37	39	39	38	10.0	
12.0		24.5	30	38	35.5	34.7	33.9	10.9	20.5	27.5	31	35.7	34.5	32.9	12.0	
14.0		22.5	26.5	27.7	27.2	26.5	25.7	10	18.5	24	27.5	27.4	26.3	24.8	14.0	
16.0								9	16.5	22	25	21.8	20.7	19.3	16.0	
18.0								8.2	15	20	18.5	17.7	16.7	15.2	18.0	
20.0															20.0	
22.0															22.0	
24.0															24.0	
26.0															26.0	
28.0															28.0	
30.0															30.0	
32.0															32.0	
34.0															34.0	
36.0															36.0	
38.0															38.0	
40.0															40.0	
42.0															42.0	
44.0															44.0	
46.0															46.0	
48.0															48.0	
50.0															50.0	
52.0															52.0	
54.0															54.0	
56.0															56.0	
58.0															58.0	
60.0															60.0	
62.0															62.0	
64.0															64.0	
66.0															66.0	
68.0															68.0	
70.0															70.0	
Reeving	14	13						13						Reeving		
Hook	110t														Hook	
Telescoping mode	I	1	1	1	1	1	1	1	1	1	1	1	1	1	2	Telescoping mode
	II	1	1	1	1	1	1	2	1	1	1	1	1	2	2	
	III	1	1	1	1	1	2	1	1	1	1	1	2	2	1	
	IV	1	1	1	1	2	1	1	1	1	1	2	2	1	1	
	V	1	1	1	2	1	1	1	1	1	2	2	1	1	1	
	VI	1	1	2	1	1	1	1	1	1	2	2	1	1	1	
	VII	1	2	1	1	1	1	1	3	2	1	1	1	1	1	



Table 8-17 Main boom

Unit: t

Outriggers completely extended, with 36 tons counterweight, counterweight front position, over full range																
Working radius (m)	Boom length (m)														Working radius (m)	
	29.1	29.1	29.1	29.1	29.1	29.1	29.1 ★	34	34	34	34	34	34	34 ★		
3.0															3.0	
3.5															3.5	
4.0															4.0	
4.5	22	19	45	53	68	80	82								4.5	
5.0	21	18.2	43	51.5	65	78	80								5.0	
6.0	19.3	16.2	38	45.5	60	70	72	13.5	17.5	27	40.5	50	65	68	6.0	
7.0	18.2	14.5	35	41	55	62	62	12.2	16.1	25	37	46	60	63	7.0	
8.0	17	13.1	32	37.5	49	52	52	11.2	14.8	23	34	42	55	57	8.0	
9.0	15.7	12.1	30	34.5	46.5	46	45	10.3	13.7	21	31.5	39	47	48	9.0	
10.0	14.7	11.2	27.6	32	43	41	40	9.6	12.5	19.6	29	36.5	43	42	10.0	
12.0	12.7	9.6	24	27	36	35.4	33.5	8	10.8	16.8	24.5	30.8	38	34.4	12.0	
14.0	11.4	8.3	21	24	28.4	27.1	25.4	7.1	9.6	14.9	22	28.5	28.0	26.2	14.0	
16.0	10.5	7.4	18.6	21.5	22.7	21.5	19.8	6.3	8.5	13	19.5	25.5	22.3	20.6	16.0	
18.0	9.6	6.6	17	19.5	18.5	17.5	15.8	5.7	7.7	11.8	17.7	19.4	18.2	16.6	18.0	
20.0	8.8	6	15.4	17.6	15.5	14.4	12.8	5.1	7.1	10.7	16	16.4	15.1	13.5	20.0	
22.0	8.1	5.4	14.2	14.0	13.1	12.0	10.4	4.6	6.4	9.9	14.7	13.9	12.7	11.2	22.0	
24.0									4.2	5.9	9.1	13.6	11.9	10.8	24.0	
26.0									3.8	5.4	8.4	12.5	10.3	9.2	26.0	
28.0															28.0	
30.0															30.0	
32.0															32.0	
34.0															34.0	
36.0															36.0	
38.0															38.0	
40.0															40.0	
42.0															42.0	
44.0															44.0	
46.0															46.0	
48.0															48.0	
50.0															50.0	
52.0															52.0	
54.0															54.0	
56.0															56.0	
58.0															58.0	
60.0															60.0	
62.0															62.0	
64.0															64.0	
66.0															66.0	
68.0															68.0	
70.0															70.0	
Reeving	11							9							Reeving	
Hook	90t														Hook	
Telescoping mode	I	1	1	1	1	1	1	2	1	1	1	1	1	1	2	I
	II	1	1	1	1	1	2	2	1	1	1	1	1	2	2	II
	III	1	1	1	1	2	2	2	1	1	1	1	2	2	2	III
	IV	1	1	1	2	2	2	1	1	1	1	2	2	2	2	IV
	V	1	1	2	2	2	1	1	1	2	3	2	2	2	1	V
	VI	2	3	2	2	1	1	1	3	3	2	2	2	1	1	VI
	VII	3	2	2	1	1	1	1	3	2	2	2	1	1	1	VII

Table 8-17 Main boom

Unit: t

Outriggers completely extended, with 36 tons counterweight, counterweight front position, over full range																
Working radius (m)	Boom length (m)															Working radius (m)
	38.9	38.9	38.9	38.9	38.9	38.9	38.9★	43.8	43.8	43.8	43.8	43.8	43.8	43.8	43.8★	
3.0																3.0
3.5																3.5
4.0																4.0
4.5																4.5
5.0																5.0
6.0																6.0
7.0	13.4	17.3	19	24	40	51	60									7.0
8.0	12.3	16.1	17.5	22.3	37.2	47.5	57									8.0
9.0	11.5	14.9	16.1	20.6	34.5	44	52	12	14.7	17.5	22.1	27.5	38	48		9.0
10.0	10.7	13.8	14.9	19	32.5	41	45	11.5	13.7	16.2	20.7	25.8	36	45.5		10.0
12.0	9.1	12	12.7	16.2	27.5	35	35.5	9.9	11.5	14	17.6	22.3	31.7	37		12.0
14.0	8	10.8	11.2	14.2	25	32	27.1	8.8	10	12.5	15.7	19.5	27.5	28.1		14.0
16.0	7.1	9.7	10	12.5	22.5	23.2	21.4	7.9	9	11	13.8	17.3	25.3	22.3		16.0
18.0	6.4	8.8	9	11.3	20.2	19.1	17.4	7.2	8	10	12.5	15.5	19.9	18.3		18.0
20.0	5.9	8	8	10.2	18.5	15.9	14.3	6.6	7.3	9	11.3	14	16.7	15.1		20.0
22.0	5.3	7.2	7.3	9.3	14.8	13.5	11.9	6	6.6	8.2	10.2	12.8	14.3	12.7		22.0
24.0	4.9	6.8	6.7	8.5	12.7	11.5	10.0	5.6	6	7.6	9.4	11.7	12.3	10.8		24.0
26.0	4.6	6.3	6.1	7.8	11.1	9.9	8.4	5.2	5.5	6.9	8.6	10.7	10.6	9.2		26.0
28.0	4.2	5.9	5.6	7.2	9.7	8.6	7.1	4.8	5	6.4	7.9	9.9	9.3	7.8		28.0
30.0	3.9	5.5	5.1	6.6	8.6	7.4	5.9	4.5	4.6	5.9	7.3	9.2	8.1	6.7		30.0
32.0	3.6	5.1	4.7	6	7.6	6.4	5.0	4.2	4.3	5.5	6.8	7.6	7.1	5.7		32.0
34.0								3.9	3.9	5	6.3	6.6	6.3	4.9		34.0
36.0								3.6	3.6	4.7	5.9	5.8	5.5	4.1		36.0
38.0																38.0
40.0																40.0
42.0																42.0
44.0																44.0
46.0																46.0
48.0																48.0
50.0																50.0
52.0																52.0
54.0																54.0
56.0																56.0
58.0																58.0
60.0																60.0
62.0																62.0
64.0																64.0
66.0																66.0
68.0																68.0
70.0																70.0
Reeving	8							6							Reeving	
Hook	90t							55t							Hook	
Telescoping mode	I	1	1	1	1	1	1	2	1	1	1	1	1	1	2	I
	II	1	1	1	1	1	2	2	1	1	1	1	1	2	2	II
	III	1	1	1	1	2	2	2	1	1	1	2	3	2	2	III
	IV	1	1	2	3	2	2	2	1	2	3	3	2	2	2	IV
	V	2	3	3	2	2	2	2	3	3	3	2	2	2	2	V
	VI	3	3	2	2	2	2	1	3	3	2	2	2	2	2	VI
	VII	3	2	2	2	2	1	1	3	2	2	2	2	2	1	VII

Table 8-17 Main boom

Unit: t

Outriggers completely extended, with 36 tons counterweight, counterweight front position, over full range																
Working radius (m)	Boom length (m)														Working radius (m)	
	48.7	48.7	48.7	48.7	48.7	48.7	48.7★	53.6	53.6	53.6	53.6	53.6	53.6	53.6		
3.0																3.0
3.5																3.5
4.0																4.0
4.5																4.5
5.0																5.0
6.0																6.0
7.0																7.0
8.0																8.0
9.0																9.0
10.0	12.2	14.7	17.5	22	26.3	27	39									10.0
12.0	10.7	12.5	15	19.2	22.8	23.5	35.2	11	13.2	15.8	20.5	21.5	25	30		12.0
14.0	9.6	11.2	13.3	17	20	21	29.1	10	12	14.3	18.6	19.3	22	26.5		14.0
16.0	8.7	10	12	15.1	17.6	18.5	23.3	9.2	10.9	13	16.8	17	20	23.7		16.0
18.0	7.7	9	11	13.7	16	16.5	19.2	8.3	9.7	11.8	15	15.3	18	18.5		18.0
20.0	6.9	8.1	10	12.5	14.3	14.8	16.0	7.6	8.9	10.8	13.6	14	16.5	15.4		20.0
22.0	6.3	7.3	9.1	11.4	13	13.5	13.5	7	8.2	10	12.5	12.6	13.3	13.0		22.0
24.0	5.8	6.8	8.5	10.5	11.7	12.3	11.5	6.4	7.5	9.3	11.3	11.5	11.3	11.0		24.0
26.0	5.3	6.3	7.9	9.7	10.9	11.2	9.9	5.9	6.9	8.6	10.4	10.5	9.7	9.4		26.0
28.0	4.8	5.8	7.3	9	10	9.0	8.6	5.4	6.4	8	9.5	9.6	8.4	8.0		28.0
30.0	4.4	5.3	6.8	8.3	8.1	7.8	7.4	5	5.9	7.5	8.7	8.7	7.2	6.8		30.0
32.0	4.1	4.9	6.3	7.7	7.1	6.8	6.4	4.6	5.5	7	7.2	6.8	6.2	5.9		32.0
34.0	3.8	4.6	5.8	7.2	6.2	5.9	5.6	4.3	5.2	6.5	6.4	5.9	5.4	5.0		34.0
36.0	3.5	4.3	5.3	5.9	5.4	5.2	4.8	4	4.8	6.1	5.6	5.2	4.6	4.2		36.0
38.0	3.2	4	4.9	5.2	4.8	4.5	4.1	3.7	4.5	5.7	5.0	4.5	4.0	3.6		38.0
40.0	3	3.7	4.7	4.6	4.1	4.0	3.5	3.4	4.2	5.4	4.3	3.9	3.3	3.0		40.0
42.0								3.3	4	4.3	3.8	3.3	2.8	2.4		42.0
44.0								3	3.8	3.8	3.2	2.9	2.3	1.9		44.0
46.0																46.0
48.0																48.0
50.0																50.0
52.0																52.0
54.0																54.0
56.0																56.0
58.0																58.0
60.0																60.0
62.0																62.0
64.0																64.0
66.0																66.0
68.0																68.0
70.0																70.0
Reeving	5							4							Reeving	
Hook	55t														Hook	
Telescoping mode	I	1	1	1	1	1	1	2	1	1	1	1	1	2	3	I
	II	1	1	1	1	2	3	2	1	1	1	2	3	3	2	II
	III	1	1	2	3	3	2	2	1	2	3	3	3	2	2	III
	IV	2	3	3	3	2	2	2	3	3	3	3	2	2	2	IV
	V	3	3	3	2	2	2	2	3	3	3	2	2	2	2	V
	VI	3	3	2	2	2	2	2	3	3	2	2	2	2	2	VI
	VII	3	2	2	2	2	2	2	2	3	2	2	2	2	2	VII

Table 8-17 Main boom

Unit: t

Outriggers completely extended, with 36 tons counterweight, counterweight front position, over full range																
Working radius (m)	Boom length (m)													Working radius (m)		
	58.5	58.5	58.5	58.5	58.5	58.5 ★					63.4	63.4	63.4		63.4	63.4 ★
3.0															3.0	
3.5															3.5	
4.0															4.0	
4.5															4.5	
5.0															5.0	
6.0															6.0	
7.0															7.0	
8.0															8.0	
9.0															9.0	
10.0															10.0	
12.0															12.0	
14.0	10.5	12.6	15.2	18	20.5	23				10.7	13.5	15.8	18	19	14.0	
16.0	9.6	11.5	14.3	16.6	19	21				10.1	12.5	15.1	17.7	18.7	16.0	
18.0	9	10.5	13	15	17.2	19.5				9.3	11.5	13.9	16.2	17.8	18.0	
20.0	8.2	9.6	12.1	13.6	14.8	15.3				8.7	10.5	12.8	14.5	16.3	20.0	
22.0	7.6	8.9	11.2	12	14.2	12.9				8.1	9.7	11.5	13.5	13.1	22.0	
24.0	7	8.2	10.3	11	11.4	10.9				7.5	9	10.5	12.3	11.0	24.0	
26.0	6.4	7.6	9.7	9.9	9.8	9.3				7	8.4	9.6	11.1	9.4	26.0	
28.0	5.9	7	9	9.1	8.5	7.9				6.5	7.9	8.8	8.6	8.0	28.0	
30.0	5.5	6.6	8.4	8.4	7.3	6.8				6	7.4	8.1	7.5	6.8	30.0	
32.0	5.1	6.1	7.9	7.7	6.3	5.8				5.7	6.9	7.5	6.5	5.9	32.0	
34.0	4.8	5.7	7.2	6.1	5.4	4.9				5.3	6.5	6.9	5.6	5.0	34.0	
36.0	4.5	5.4	5.9	5.3	4.7	4.1				5	6.1	5.7	4.9	4.2	36.0	
38.0	4.2	5.1	5.1	4.7	4.0	3.4				4.7	5.8	5.0	4.1	3.5	38.0	
40.0	4	4.8	4.6	4.1	3.3	2.9				4.2	5.4	4.3	3.6	2.9	40.0	
42.0	3.7	4.5	4.1	3.5	2.8	2.3				4.1	4.4	3.8	3.1	2.4	42.0	
44.0	3.5	4.3	3.5	3.1	2.3	1.7				3.9	3.9	3.3	2.5	1.8	44.0	
46.0	3.3	4	3.1	2.6	1.8	1.4				3.7	3.4	2.9	2.0	1.4	46.0	
48.0	3	3.7	2.7	2.0	1.4					3.5	3.0	2.4	1.6		48.0	
50.0	2.8	2.9	2.3	1.7	1.1					3.3	2.6	2.0	1.3		50.0	
52.0										3.0	2.1	1.6			52.0	
54.0										2.9	1.9	1.4			54.0	
56.0															56.0	
58.0															58.0	
60.0															60.0	
62.0															62.0	
64.0															64.0	
66.0															66.0	
68.0															68.0	
70.0															70.0	
Reeving	4										3					Reeving
Hook	55t										25t					Hook
Telescoping mode	I	1	1	1	1	2	3			1	1	1	2	3	I	
	II	1	1	2	3	3	3			1	2	3	3	3	II	
	III	2	3	3	3	3	2			3	3	3	3	3	III	
	IV	3	3	3	3	2	2			3	3	3	3	2	IV	
	V	3	3	3	2	2	2			3	3	3	2	2	V	
	VI	3	3	2	2	2	2			3	3	2	2	2	VI	
	VII	3	2	2	2	2	2			3	2	2	2	2	VII	

Table 8-17 Main boom

Unit: t

Outriggers completely extended, with 36 tons counterweight, counterweight front position, over full range																
Working radius (m)	Boom length (m)														Working radius (m)	
	68.3	68.3	68.3	68.3 ★		73.2	73.2	73.2 ★		78.1	78.1 ★	83 ★	86.2 ★	88 ★		
6.0															6.0	
7.0															7.0	
8.0															8.0	
9.0															9.0	
10.0															10.0	
12.0															12.0	
14.0															14.0	
16.0	10.5	13	14.5	15.5											16.0	
18.0	9.9	12.2	14	15		10	10.8	11.5							18.0	
20.0	9.3	11.3	13.5	14.5		9.7	10.5	11.2		8.2	9				20.0	
22.0	8.7	10.6	12.6	13.6		9.2	10.1	10.8		8	8.7	7.1			22.0	
24.0	8.2	9.8	11.5	12.5		8.7	9.7	10.4		7.8	8.4	7	6	5.7	24.0	
26.0	7.6	9.2	10.6	9.6		8.2	9.3	10		7.6	8.2	6.8	5.8	5.6	26.0	
28.0	7	8.6	9.7	8.3		7.8	8.9	9.6		7.4	8	6.6	5.7	5.5	28.0	
30.0	6.6	7.9	7.8	7.1		7.3	8.5	7.5		7.2	7.8	6.4	5.6	5.4	30.0	
32.0	6.2	7.3	6.8	6.0		6.9	8	6.4		7	7.5	6.2	5.5	5.3	32.0	
34.0	5.8	6.7	5.9	5.2		6.5	6.3	5.6		6.8	5.9	6	5.4	5.2	34.0	
36.0	5.5	6.2	5.1	4.4		6.1	5.6	4.8		6.5	5.1	5.9	5.3	5.1	36.0	
38.0	5.2	5.7	4.5	3.8		5.6	4.9	4.1		5.3	4.5	5.0	5.2	5	38.0	
40.0	4.9	4.7	3.9	3.2		5.2	4.2	3.4		4.7	3.9	4.3	4.5	4.9	40.0	
42.0	4.6	4.1	3.3	2.6		4.8	3.7	2.9		4.1	3.3	3.7	3.9	3.8	42.0	
44.0	4.4	3.6	2.8	2.0		4.5	3.2	2.4		3.6	2.8	3.2	3.3	3.2	44.0	
46.0	4.2	3.2	2.3	1.6		3.6	2.7	1.9		3.2	2.3	2.8	2.9	2.8	46.0	
48.0	3.4	2.8	1.9	1.2		3.2	2.3	1.4		2.7	1.8	2.3	2.5	2.4	48.0	
50.0	3.0	2.4	1.5			2.8	1.9	1.1		2.3	1.4	1.9	2.0	1.9	50.0	
52.0	2.7	2.0	1.2			2.4	1.5			1.9	1.1	1.5	1.6	1.5	52.0	
54.0	2.3	1.6				2.0	1.2			1.5		1.2	1.4	1.3	54.0	
56.0	2.0	1.4				1.7				1.3					56.0	
58.0	1.7	1.1				1.4									58.0	
60.0	1.4					1.2									60.0	
62.0															62.0	
64.0															64.0	
66.0															66.0	
68.0															68.0	
70.0															70.0	
72.0															72.0	
74.0															74.0	
Reeving	3					3					2		2	2	2	Reeving
Hook	25t														Hook	
Telescoping mode	I	1	1	2	3		1	2	3		2	3	3	3	4	I
	II	2	3	3	3		3	3	3		3	3	3	3	4	II
	III	3	3	3	3		3	3	3		3	3	3	4	4	III
	IV	3	3	3	3		3	3	3		3	3	3	4	4	IV
	V	3	3	3	2		3	3	3		3	3	3	4	4	V
	VI	3	3	2	2		3	3	2		3	3	3	4	4	VI
	VII	3	2	2	2		3	2	2		3	2	3	4	4	VII

Table 8-18 Main boom

Unit: t

Outriggers completely extended, with 27 tons counterweight, counterweight front position, over full range																
Working radius (m)	Boom length (m)														Working radius (m)	
	14.4 ★	19.3	19.3	19.3	19.3	19.3	19.3	19.3 ★	24.2	24.2	24.2	24.2	24.2	24.2		24.2 ★
3.0	116	48.5	55	72	75	95	110								3.0	
3.5	110	46	55	72	75	95	102	23	46	62	70	75	90	90	3.5	
4.0	98	43.5	55	72	75	95	93	22	44	58	67	72	84	85	4.0	
4.5	91	41.7	55	72	75	88	88	21	41	55	64	70	79	80	4.5	
5.0	87	39.5	55	70	75	81	81	20	39	52	60	67	73	76	5.0	
6.0	69	36.5	49	63	69	69	69	17.5	34	45	53	60	65	69	6.0	
7.0	58	33.5	44.5	57.5	58	58	58	16	31	41	47	60	60	58	7.0	
8.0	47	31.5	40.5	53	47	47	47	14.8	28.5	38	44	47	47	47	8.0	
9.0	41.0	29.5	37.5	48.5	41	41.0	41.0	13.7	26.2	35	40	41	41	41.0	9.0	
10.0	37.0	27.5	34	45	39.0	38.0	37.0	12.8	24.5	32.5	37	38.0	37.0	37.0	10.0	
12.0		24.5	30	30.5	29.9	29.3	28.4	10.9	20.5	27.5	31	30.2	29.0	27.4	12.0	
14.0		22.5	23.8	23.2	22.7	22.1	21.3	10	18.5	24	23.9	23.0	21.9	20.3	14.0	
16.0								9	16.5	19.7	18.9	18.1	17.0	15.5	16.0	
18.0								8.2	15	16.1	15.4	14.5	13.5	12.1	18.0	
20.0															20.0	
22.0															22.0	
24.0															24.0	
26.0															26.0	
28.0															28.0	
30.0															30.0	
32.0															32.0	
34.0															34.0	
36.0															36.0	
38.0															38.0	
40.0															40.0	
42.0															42.0	
44.0															44.0	
46.0															46.0	
48.0															48.0	
50.0															50.0	
52.0															52.0	
54.0															54.0	
56.0															56.0	
58.0															58.0	
60.0															60.0	
62.0															62.0	
64.0															64.0	
66.0															66.0	
68.0															68.0	
70.0															70.0	
Reeving	14	13						13						Reeving		
Hook	110t														Hook	
Telescoping mode	I	1	1	1	1	1	1	1	1	1	1	1	1	1	2	Telescoping mode
	II	1	1	1	1	1	1	2	1	1	1	1	1	2	2	
	III	1	1	1	1	1	2	1	1	1	1	1	2	2	1	
	IV	1	1	1	1	2	1	1	1	1	1	2	2	1	1	
	V	1	1	1	2	1	1	1	1	1	2	2	1	1	1	
	VI	1	1	2	1	1	1	1	1	1	2	2	1	1	1	
	VII	1	2	1	1	1	1	1	3	2	1	1	1	1	1	

Table 8-18 Main boom

Unit: t

Outriggers completely extended, with 27 tons counterweight, counterweight front position, over full range																
Working radius (m)	Boom length (m)														Working radius (m)	
	29.1	29.1	29.1	29.1	29.1	29.1	29.1 ★	34	34	34	34	34	34	34 ★		
3.0															3.0	
3.5															3.5	
4.0															4.0	
4.5	22	19	45	53	68	80	80								4.5	
5.0	21	18.2	43	51.5	65	77	77								5.0	
6.0	19.3	16.2	38	45.5	60	70	70	13.5	17.5	27	40.5	50	65	68	6.0	
7.0	18.2	14.5	35	41	55	61	61	12.2	16.1	25	37	46	60	63	7.0	
8.0	17	13.1	32	37.5	49	48	48	11.2	14.8	23	34	42	51	50	8.0	
9.0	15.7	12.1	30	34.5	46.5	42	42.0	10.3	13.7	21	31.5	39	44	44	9.0	
10.0	14.7	11.2	27.6	32	41	40.0	38.0	9.6	12.5	19.6	29	36.5	41	40.5	10.0	
12.0	12.7	9.6	24	27	31.2	29.8	28.0	8	10.8	16.8	24.5	30.8	30.8	28.9	12.0	
14.0	11.4	8.3	21	24	23.9	22.6	20.9	7.1	9.6	14.9	22	24.8	23.5	21.7	14.0	
16.0	10.5	7.4	18.6	21.5	18.9	17.7	16.1	6.3	8.5	13	19.5	19.9	18.5	16.8	16.0	
18.0	9.6	6.6	17	16.4	15.4	14.2	12.6	5.7	7.7	11.8	17.7	16.3	15.0	13.3	18.0	
20.0	8.8	6	15.4	13.7	12.7	11.5	10.0	5.1	7.1	10.7	16	13.5	12.3	10.7	20.0	
22.0	8.1	5.4	12.3	11.5	10.5	9.5	7.9	4.6	6.4	9.9	12.4	11.3	10.2	8.6	22.0	
24.0								4.2	5.9	9.1	10.6	9.6	8.5	6.9	24.0	
26.0								3.8	5.4	8.4	9.2	8.3	7.1	5.6	26.0	
28.0															28.0	
30.0															30.0	
32.0															32.0	
34.0															34.0	
36.0															36.0	
38.0															38.0	
40.0															40.0	
42.0															42.0	
44.0															44.0	
46.0															46.0	
48.0															48.0	
50.0															50.0	
52.0															52.0	
54.0															54.0	
56.0															56.0	
58.0															58.0	
60.0															60.0	
62.0															62.0	
64.0															64.0	
66.0															66.0	
68.0															68.0	
70.0															70.0	
Reeving	11							9							Reeving	
Hook	90t														Hook	
Telescoping mode	I	1	1	1	1	1	1	2	1	1	1	1	1	1	2	I
	II	1	1	1	1	1	2	2	1	1	1	1	1	2	2	II
	III	1	1	1	1	2	2	2	1	1	1	1	2	2	2	III
	IV	1	1	1	2	2	2	1	1	1	1	2	2	2	2	IV
	V	1	1	2	2	2	1	1	1	2	3	2	2	2	1	V
	VI	2	3	2	2	1	1	1	3	3	2	2	2	1	1	VI
	VII	3	2	2	1	1	1	1	3	2	2	2	1	1	1	VII

Table 8-18 Main boom

Unit: t

Outriggers completely extended, with 27 tons counterweight, counterweight front position, over full range																
Working radius (m)	Boom length (m)														Working radius (m)	
	38.9	38.9	38.9	38.9	38.9	38.9	38.9★	43.8	43.8	43.8	43.8	43.8	43.8	43.8★		
3.0																3.0
3.5																3.5
4.0																4.0
4.5																4.5
5.0																5.0
6.0																6.0
7.0	13.4	17.3	19	24	40	51	60									7.0
8.0	12.3	16.1	17.5	22.3	37.2	47.5	52									8.0
9.0	11.5	14.9	16.1	20.6	34.5	44	44	12	14.7	17.5	22.1	27.5	38	48		9.0
10.0	10.7	13.8	14.9	19	32.5	41.5	41.7	11.5	13.7	16.2	20.7	25.8	36	45		10.0
12.0	9.1	12	12.7	16.2	27.5	35	29.9	9.9	11.5	14	17.6	22.3	31.7	31.0		12.0
14.0	8	10.8	11.2	14.2	25	24.4	22.6	8.8	10	12.5	15.7	19.5	28.2	23.6		14.0
16.0	7.1	9.7	10	12.5	22.5	19.4	17.7	7.9	9	11	13.8	17.3	20.3	18.6		16.0
18.0	6.4	8.8	9	11.3	17.1	15.8	14.1	7.2	8	10	12.5	15.5	16.7	15.0		18.0
20.0	5.9	8	8	10.2	14.3	13.1	11.5	6.6	7.3	9	11.3	14	13.9	12.3		20.0
22.0	5.3	7.2	7.3	9.3	12.2	11.0	9.4	6	6.6	8.2	10.2	12.8	11.7	10.2		22.0
24.0	4.9	6.8	6.7	8.5	10.4	9.3	7.7	5.6	6	7.6	9.4	10.3	10.0	8.5		24.0
26.0	4.6	6.3	6.1	7.8	9.0	7.8	6.3	5.2	5.5	6.9	8.6	8.9	8.6	7.1		26.0
28.0	4.2	5.9	5.6	7.2	7.8	6.7	5.1	4.8	5	6.4	7.9	7.7	7.4	5.9		28.0
30.0	3.9	5.5	5.1	6.6	6.8	5.7	4.1	4.5	4.6	5.9	7.3	6.7	6.4	5.0		30.0
32.0	3.6	5.1	4.7	6	5.9	4.8	3.3	4.2	4.3	5.5	6.0	5.8	5.5	4.1		32.0
34.0								3.9	3.9	5	5.2	5.0	4.8	3.3		34.0
36.0								3.6	3.6	4.7	4.6	4.3	4.1	2.6		36.0
38.0																38.0
40.0																40.0
42.0																42.0
44.0																44.0
46.0																46.0
48.0																48.0
50.0																50.0
52.0																52.0
54.0																54.0
56.0																56.0
58.0																58.0
60.0																60.0
62.0																62.0
64.0																64.0
66.0																66.0
68.0																68.0
70.0																70.0
Reeving	8							6							Reeving	
Hook	90t							55t							Hook	
Telescoping mode	I	1	1	1	1	1	1	2	1	1	1	1	1	1	2	I
	II	1	1	1	1	1	2	2	1	1	1	1	1	2	2	II
	III	1	1	1	1	2	2	2	1	1	1	2	3	2	2	III
	IV	1	1	2	3	2	2	2	1	2	3	3	2	2	2	IV
	V	2	3	3	2	2	2	2	3	3	3	2	2	2	2	V
	VI	3	3	2	2	2	2	1	3	3	2	2	2	2	2	VI
	VII	3	2	2	2	2	1	1	3	2	2	2	2	2	1	VII



Table 8-18 Main boom

Unit: t

Outriggers completely extended, with 27 tons counterweight, counterweight front position, over full range																
Working radius (m)	Boom length (m)														Working radius (m)	
	48.7	48.7	48.7	48.7	48.7	48.7	48.7★	53.6	53.6	53.6	53.6	53.6	53.6	53.6		
3.0																3.0
3.5																3.5
4.0																4.0
4.5																4.5
5.0																5.0
6.0																6.0
7.0																7.0
8.0																8.0
9.0																9.0
10.0	12.2	14.7	17.5	22	26.3	27	39									10.0
12.0	10.7	12.5	15	19.2	22.8	23.5	35.2	11	13.2	15.8	20.5	21.5	25	30		12.0
14.0	9.6	11.2	13.3	17	20	21	24.6	10	12	14.3	18.6	19.3	22	26.5		14.0
16.0	8.7	10	12	15.1	17.6	18.5	19.5	9.2	10.9	13	16.8	17	20	18.9		16.0
18.0	7.7	9	11	13.7	16	16.5	15.8	8.3	9.7	11.8	15	15.3	15.7	15.3		18.0
20.0	6.9	8.1	10	12.5	14.3	14.8	13.1	7.6	8.9	10.8	13.6	14	13.0	12.5		20.0
22.0	6.3	7.3	9.1	11.4	13	11.4	11.0	7	8.2	10	12.5	12.6	10.8	10.4		22.0
24.0	5.8	6.8	8.5	10.5	9.9	9.7	9.3	6.4	7.5	9.3	11.3	9.7	9.1	8.6		24.0
26.0	5.3	6.3	7.9	9.7	8.6	8.3	7.8	5.9	6.9	8.6	8.6	8.3	7.7	7.3		26.0
28.0	4.8	5.8	7.3	7.8	7.3	7.1	6.7	5.4	6.4	8	7.5	7.0	6.5	6.0		28.0
30.0	4.4	5.3	6.8	6.8	6.3	6.0	5.7	5	5.9	7.5	6.5	6.0	5.4	5.0		30.0
32.0	4.1	4.9	6.3	5.9	5.4	5.2	4.8	4.6	5.5	6.1	5.6	5.1	4.6	4.1		32.0
34.0	3.8	4.6	5.8	5.1	4.7	4.4	4.1	4.3	5.2	5.4	4.8	4.4	3.8	3.4		34.0
36.0	3.5	4.3	5.3	4.4	4.0	3.8	3.3	4	4.8	4.7	4.1	3.7	3.2	2.8		36.0
38.0	3.2	4	4.2	3.9	3.4	3.2	2.8	3.7	4.5	4.1	3.5	3.2	2.5	2.0		38.0
40.0	3	3.7	3.7	3.3	2.9	2.6	2.1	3.4	4.2	3.5	3.0	2.6	1.9	1.5		40.0
42.0								3.3	3.5	3.1	2.5	2.0	1.4	1.1		42.0
44.0								3	3.1	2.6	2.0	1.6				44.0
46.0																46.0
48.0																48.0
50.0																50.0
52.0																52.0
54.0																54.0
56.0																56.0
58.0																58.0
60.0																60.0
62.0																62.0
64.0																64.0
66.0																66.0
68.0																68.0
70.0																70.0
Reeving	5							4							Reeving	
Hook	55t														Hook	
Telescoping mode	I	1	1	1	1	1	1	2	1	1	1	1	1	2	3	I
	II	1	1	1	1	2	3	2	1	1	1	2	3	3	2	II
	III	1	1	2	3	3	2	2	1	2	3	3	3	2	2	III
	IV	2	3	3	3	2	2	2	3	3	3	3	2	2	2	IV
	V	3	3	3	2	2	2	2	3	3	3	2	2	2	2	V
	VI	3	3	2	2	2	2	2	3	3	2	2	2	2	2	VI
	VII	3	2	2	2	2	2	2	3	2	2	2	2	2	2	VII

Table 8-18 Main boom

Unit: t

Outriggers completely extended, with 27 tons counterweight, counterweight front position, over full range																
Working radius (m)	Boom length (m)														Working radius (m)	
	58.5	58.5	58.5	58.5	58.5	58.5 ★					63.4	63.4	63.4	63.4		63.4 ★
3.0																3.0
3.5																3.5
4.0																4.0
4.5																4.5
5.0																5.0
6.0																6.0
7.0																7.0
8.0																8.0
9.0																9.0
10.0																10.0
12.0																12.0
14.0	10.5	12.6	15.2	18	20.5	23				10.7	13.5	15.8	18	19	14.0	
16.0	9.6	11.5	14.3	16.6	19	21				10.1	12.5	15.1	17.7	18.7	16.0	
18.0	9	10.5	13	15	17.2	15.2				9.3	11.5	13.9	16.2	15.4	18.0	
20.0	8.2	9.6	12.1	13.6	13.1	12.4				8.7	10.5	12.8	14.5	12.6	20.0	
22.0	7.6	8.9	11.2	12	10.9	10.3				8.1	9.7	11.5	11.2	10.4	22.0	
24.0	7	8.2	10.3	11	9.1	8.6				7.5	9	10.5	9.4	8.6	24.0	
26.0	6.4	7.6	9.7	8.5	7.7	7.1				7	8.4	9.6	7.9	7.2	26.0	
28.0	5.9	7	7.7	7.2	6.5	5.9				6.5	7.9	7.6	6.8	6.0	28.0	
30.0	5.5	6.6	6.8	6.2	5.5	5.0				6	7.4	6.5	5.7	5.0	30.0	
32.0	5.1	6.1	5.9	5.3	4.6	4.1				5.7	6.9	5.6	4.8	4.1	32.0	
34.0	4.8	5.7	5.0	4.5	3.8	3.3				5.3	5.5	4.9	4.1	3.3	34.0	
36.0	4.5	5.4	4.4	3.9	3.2	2.6				5	4.8	4.1	3.3	2.7	36.0	
38.0	4.2	4.4	3.8	3.2	2.5	2.0				4.7	4.1	3.5	2.8	2.0	38.0	
40.0	4	3.9	3.2	2.7	2.0	1.4				4.2	3.6	3.0	2.1	1.5	40.0	
42.0	3.7	3.4	2.8	2.1	1.4					4.1	3.1	2.5	1.6		42.0	
44.0	3.5	3.0	2.3	1.7	1.1					3.3	2.7	2.0	1.3		44.0	
46.0	3.3	2.5	1.8	1.4						3.0	2.1	1.6			46.0	
48.0	3	2.0	1.4							2.6	1.8	1.3			48.0	
50.0	2.4	1.8	1.2							2.1	1.4				50.0	
52.0										1.8	1.2				52.0	
54.0										1.5					54.0	
56.0															56.0	
58.0															58.0	
60.0															60.0	
62.0															62.0	
64.0															64.0	
66.0															66.0	
68.0															68.0	
70.0															70.0	
Reeving	4										3					Reeving
Hook	55t										25t					Hook
Telescoping mode	I	1	1	1	1	2	3				1	1	1	2	3	Telescoping mode
	II	1	1	2	3	3	3				1	2	3	3	3	
	III	2	3	3	3	3	2				3	3	3	3	3	
	IV	3	3	3	3	2	2				3	3	3	3	2	
	V	3	3	3	2	2	2				3	3	3	2	2	
	VI	3	3	2	2	2	2				3	3	2	2	2	
	VII	3	2	2	2	2	2				3	2	2	2	2	

Table 8-18 Main boom

Unit: t

Outriggers completely extended, with 27 tons counterweight, counterweight front position, over full range																
Working radius (m)	Boom length (m)														Working radius (m)	
	68.3	68.3	68.3	68.3★		73.2	73.2	73.2★		78.1	78.1★	83★	86.2★	88★		
6.0															6.0	
7.0															7.0	
8.0															8.0	
9.0															9.0	
10.0															10.0	
12.0															12.0	
14.0															14.0	
16.0	10.5	13	14.5	15.5											16.0	
18.0	9.9	12.2	14	15		10	10.8	11.5							18.0	
20.0	9.3	11.3	13.5	13.0		9.7	10.5	11.2		8.2	9				20.0	
22.0	8.7	10.6	12.6	10.7		9.2	10.1	10.8		8	8.7	7.1			22.0	
24.0	8.2	9.8	9.7	8.9		8.7	9.7	10.4		7.8	8.4	7	6	5.7	24.0	
26.0	7.6	9.2	8.3	7.5		8.2	9.3	7.9		7.6	8.2	6.8	5.8	5.6	26.0	
28.0	7	8.6	7.0	6.3		7.8	7.5	6.7		7.4	7.1	6.6	5.7	5.5	28.0	
30.0	6.6	6.9	6.0	5.2		7.3	6.5	5.6		7.2	6.0	6.4	5.6	5.4	30.0	
32.0	6.2	6.0	5.1	4.4		6.9	5.5	4.7		6.0	5.1	6.2	5.5	5.3	32.0	
34.0	5.8	5.2	4.3	3.6		5.7	4.8	4.0		5.2	4.3	4.8	5.4	5.2	34.0	
36.0	5.5	4.5	3.7	2.9		5.0	4.1	3.2		4.5	3.6	4.1	4.2	4.1	36.0	
38.0	4.6	3.9	3.1	2.3		4.3	3.4	2.6		3.9	3.1	3.4	3.6	3.5	38.0	
40.0	4.0	3.3	2.5	1.7		3.8	2.9	2.0		3.3	2.4	2.9	3.1	3.0	40.0	
42.0	3.5	2.9	1.9	1.3		3.2	2.3	1.5		2.8	1.9	2.4	2.5	2.4	42.0	
44.0	3.1	2.4	1.5			2.8	1.9	1.1		2.3	1.4	1.9	2.0	1.9	44.0	
46.0	2.6	1.9	1.1			2.4	1.4			1.9	1.1	1.4	1.6	1.5	46.0	
48.0	2.1	1.5				2.0	1.1			1.4		1.1	1.3	1.2	48.0	
50.0	1.9	1.3				1.6				1.2					50.0	
52.0	1.5					1.3									52.0	
54.0	1.3														54.0	
56.0															56.0	
58.0															58.0	
60.0															60.0	
62.0															62.0	
64.0															64.0	
66.0															66.0	
68.0															68.0	
70.0															70.0	
72.0															72.0	
74.0															74.0	
Reeving	3					3					2		2	2	2	Reeving
Hook	25t														Hook	
Telescoping mode	I	1	1	2	3		1	2	3		2	3	3	3	4	I
	II	2	3	3	3		3	3	3		3	3	3	3	4	II
	III	3	3	3	3		3	3	3		3	3	3	4	4	III
	IV	3	3	3	3		3	3	3		3	3	3	4	4	IV
	V	3	3	3	2		3	3	3		3	3	3	4	4	V
	VI	3	3	2	2		3	3	2		3	3	3	4	4	VI
	VII	3	2	2	2		3	2	2		3	2	3	4	4	VII

Table 8-19 Main boom

Unit: t

Outriggers completely extended, with 18 tons counterweight, counterweight front position, over full range															
Working radius (m)	Boom length (m)														Working radius (m)
	14.4 ★	19.3	19.3	19.3	19.3	19.3	19.3	19.3 ★	24.2	24.2	24.2	24.2	24.2	24.2	
3.0	114	48.5	55	72	75	95	110								3.0
3.5	108	46	55	72	75	95	105	23	46	62	70	75	90	90	3.5
4.0	96	43.5	55	72	75	96	96	22	44	58	67	72	84	85	4.0
4.5	88	41.7	55	72	75	88	88	21	41	55	64	70	79	80	4.5
5.0	83	39.5	55	70	75	83	83	20	39	52	60	67	73	76	5.0
6.0	66	36.5	49	63	66	66	66	17.5	34	45	53	60	65	66	6.0
7.0	54	33.5	44.5	57.5	55	55	54	16	31	41	47	55	55	54	7.0
8.0	43.0	31.5	40.5	45	44.0	44.0	43.0	14.8	28.5	38	44	44	44	43.0	8.0
9.0	37.0	29.5	37.5	39.0	38.0	38.0	37.0	13.7	26.2	35	40	40.5	39.5	38.5	9.0
10.0	32.6	27.5	34	34.6	34.2	33.7	32.8	12.8	24.5	32.5	35	34.7	33.4	31.5	10.0
12.0		24.5	25.6	25.0	24.4	23.7	23.0	10.9	20.5	27.5	25.7	24.7	23.5	21.8	12.0
14.0		19.7	19.3	18.8	18.3	17.6	16.8	10	18.5	20.3	19.4	18.5	17.4	15.8	14.0
16.0								9	16.5	16.0	15.2	14.3	13.2	11.8	16.0
18.0								8.2	15	12.9	12.2	11.3	10.3	8.7	18.0
20.0															20.0
22.0															22.0
24.0															24.0
26.0															26.0
28.0															28.0
30.0															30.0
32.0															32.0
34.0															34.0
36.0															36.0
38.0															38.0
40.0															40.0
42.0															42.0
44.0															44.0
46.0															46.0
48.0															48.0
50.0															50.0
52.0															52.0
54.0															54.0
56.0															56.0
58.0															58.0
60.0															60.0
62.0															62.0
64.0															64.0
66.0															66.0
68.0															68.0
70.0															70.0
Reeving	14	13						13						Reeving	
Hook	110t														Hook
Telescoping mode	I	1	1	1	1	1	1	1	1	1	1	1	1	2	Telescoping mode
	II	1	1	1	1	1	1	2	1	1	1	1	2	2	
	III	1	1	1	1	1	2	1	1	1	1	2	2	1	
	IV	1	1	1	1	2	1	1	1	1	2	2	1	1	
	V	1	1	1	2	1	1	1	1	2	2	1	1	1	
	VI	1	1	2	1	1	1	1	1	2	2	1	1	1	
	VII	1	2	1	1	1	1	1	3	2	1	1	1	1	

Table 8-19 Main boom

Unit: t

Outriggers completely extended, with 18 tons counterweight, counterweight front position, over full range																
Working radius (m)	Boom length (m)														Working radius (m)	
	29.1	29.1	29.1	29.1	29.1	29.1	29.1★	34	34	34	34	34	34	34★		
3.0															3.0	
3.5															3.5	
4.0															4.0	
4.5	22	19	45	53	68	80	80								4.5	
5.0	21	18.2	43	51.5	65	78	78								5.0	
6.0	19.3	16.2	38	45.5	60	66	66	13.5	17.5	27	40.5	50	65	68	6.0	
7.0	18.2	14.5	35	41	55	55	55	12.2	16.1	25	37	46	58	58	7.0	
8.0	17	13.1	32	37.5	45	45.0	44.0	11.2	14.8	23	34	42	48	48	8.0	
9.0	15.7	12.1	30	34.5	44	42.1	39.5	10.3	13.7	21	31.5	39	43.3	41.0	9.0	
10.0	14.7	11.2	27.6	32	35.8	34.3	32.2	9.6	12.5	19.6	29	36.5	35.4	33.3	10.0	
12.0	12.7	9.6	24	27	25.7	24.3	22.4	8	10.8	16.8	24.5	26.7	25.3	23.3	12.0	
14.0	11.4	8.3	21	20.5	19.4	18.2	16.4	7.1	9.6	14.9	22	20.4	19.1	17.3	14.0	
16.0	10.5	7.4	18.6	16.3	15.2	14.0	12.3	6.3	8.5	13	17.3	16.1	14.9	13.1	16.0	
18.0	9.6	6.6	14.0	13.1	12.2	11.0	9.4	5.7	7.7	11.8	14.1	13.1	11.8	10.1	18.0	
20.0	8.8	6	11.7	10.8	9.8	8.6	7.0	5.1	7.1	10.7	11.7	10.6	9.5	7.7	20.0	
22.0	8.1	5.4	9.8	8.9	7.9	6.8	5.2	4.6	6.4	9.9	9.8	8.8	7.6	5.9	22.0	
24.0								4.2	5.9	9.1	8.3	7.3	6.1	4.5	24.0	
26.0								3.8	5.4	7.3	7.0	6.0	4.9	3.3	26.0	
28.0															28.0	
30.0															30.0	
32.0															32.0	
34.0															34.0	
36.0															36.0	
38.0															38.0	
40.0															40.0	
42.0															42.0	
44.0															44.0	
46.0															46.0	
48.0															48.0	
50.0															50.0	
52.0															52.0	
54.0															54.0	
56.0															56.0	
58.0															58.0	
60.0															60.0	
62.0															62.0	
64.0															64.0	
66.0															66.0	
68.0															68.0	
70.0															70.0	
Reeving	11							9							Reeving	
Hook	90t														Hook	
Telescoping mode	I	1	1	1	1	1	1	2	1	1	1	1	1	1	2	I
	II	1	1	1	1	1	2	2	1	1	1	1	1	2	2	II
	III	1	1	1	1	2	2	2	1	1	1	1	2	2	2	III
	IV	1	1	1	2	2	2	1	1	1	1	2	2	2	2	IV
	V	1	1	2	2	2	1	1	1	2	3	2	2	2	1	V
	VI	2	3	2	2	1	1	1	3	3	2	2	2	1	1	VI
	VII	3	2	2	1	1	1	1	3	2	2	2	1	1	1	VII

Table 8-19 Main boom

Unit: t

Outriggers completely extended, with 18 tons counterweight, counterweight front position, over full range																
Working radius (m)	Boom length (m)														Working radius (m)	
	38.9	38.9	38.9	38.9	38.9	38.9	38.9★	43.8	43.8	43.8	43.8	43.8	43.8	43.8★		
3.0																3.0
3.5																3.5
4.0																4.0
4.5																4.5
5.0																5.0
6.0																6.0
7.0	13.4	17.3	19	24	40	51	60									7.0
8.0	12.3	16.1	17.5	22.3	37.2	47.5	50									8.0
9.0	11.5	14.9	16.1	20.6	34.5	44	42.2	12	14.7	17.5	22.1	27.5	38	45		9.0
10.0	10.7	13.8	14.9	19	32.5	36.5	34.4	11.5	13.7	16.2	20.7	25.8	36	35.6		10.0
12.0	9.1	12	12.7	16.2	27.5	26.3	24.3	9.9	11.5	14	17.6	22.3	27.4	25.4		12.0
14.0	8	10.8	11.2	14.2	21.4	20.0	18.1	8.8	10	12.5	15.7	19.5	20.9	19.1		14.0
16.0	7.1	9.7	10	12.5	17.0	15.7	14.0	7.9	9	11	13.8	17.3	16.6	14.9		16.0
18.0	6.4	8.8	9	11.3	13.9	12.6	10.9	7.2	8	10	12.5	13.8	13.4	11.8		18.0
20.0	5.9	8	8	10.2	11.5	10.3	8.6	6.6	7.3	9	11.3	11.3	11.1	9.4		20.0
22.0	5.3	7.2	7.3	9.3	9.6	8.4	6.8	6	6.6	8.2	10.2	9.5	9.2	7.6		22.0
24.0	4.9	6.8	6.7	8.5	8.1	6.8	5.3	5.6	6	7.6	8.2	7.9	7.7	6.0		24.0
26.0	4.6	6.3	6.1	7.8	6.8	5.7	4.1	5.2	5.5	6.9	6.9	6.7	6.4	4.9		26.0
28.0	4.2	5.9	5.6	6.1	5.8	4.6	3.2	4.8	5	6.4	5.9	5.7	5.3	3.9		28.0
30.0	3.9	5.5	5.1	5.2	5.0	3.8	2.1	4.5	4.6	5.9	5.0	4.8	4.5	3.0		30.0
32.0	3.6	5.1	4.7	4.4	4.1	3.1	1.4	4.2	4.3	4.7	4.2	4.0	3.7	2.1		32.0
34.0								3.9	3.9	4.1	3.6	3.3	3.1	1.5		34.0
36.0								3.6	3.6	3.4	3.0	2.8	2.5			36.0
38.0																38.0
40.0																40.0
42.0																42.0
44.0																44.0
46.0																46.0
48.0																48.0
50.0																50.0
52.0																52.0
54.0																54.0
56.0																56.0
58.0																58.0
60.0																60.0
62.0																62.0
64.0																64.0
66.0																66.0
68.0																68.0
70.0																70.0
Reeving	8							6							Reeving	
Hook	90t							55t							Hook	
Telescoping mode	I	1	1	1	1	1	1	2	1	1	1	1	1	1	2	I
	II	1	1	1	1	1	2	2	1	1	1	1	1	2	2	II
	III	1	1	1	1	2	2	2	1	1	1	2	3	2	2	III
	IV	1	1	2	3	2	2	2	1	2	3	3	2	2	2	IV
	V	2	3	3	2	2	2	2	3	3	3	2	2	2	2	V
	VI	3	3	2	2	2	2	1	3	3	2	2	2	2	2	VI
	VII	3	2	2	2	2	1	1	3	2	2	2	2	2	1	VII

Table 8-19 Main boom

Unit: t

Outriggers completely extended, with 18 tons counterweight, counterweight front position, over full range																
Working radius (m)	Boom length (m)														Working radius (m)	
	48.7	48.7	48.7	48.7	48.7	48.7	48.7★	53.6	53.6	53.6	53.6	53.6	53.6	53.6		
3.0																3.0
3.5																3.5
4.0																4.0
4.5																4.5
5.0																5.0
6.0																6.0
7.0																7.0
8.0																8.0
9.0																9.0
10.0	12.2	14.7	17.5	22	26.3	27	39									10.0
12.0	10.7	12.5	15	19.2	22.8	23.5	26.5	11	13.2	15.8	20.5	21.5	25	25.8		12.0
14.0	9.6	11.2	13.3	17	20	21	20.1	10	12	14.3	18.6	19.3	22	19.4		14.0
16.0	8.7	10	12	15.1	17.6	16.2	15.8	9.2	10.9	13	16.8	17	15.6	15.1		16.0
18.0	7.7	9	11	13.7	13.4	13.1	12.6	8.3	9.7	11.8	15	13.1	12.4	12.0		18.0
20.0	6.9	8.1	10	12.5	11.0	10.7	10.3	7.6	8.9	10.8	11.2	10.7	10.0	9.6		20.0
22.0	6.3	7.3	9.1	9.6	9.1	8.8	8.4	7	8.2	10	9.3	8.8	8.1	7.7		22.0
24.0	5.8	6.8	8.5	8.1	7.6	7.3	6.8	6.4	7.5	9.3	7.7	7.3	6.7	6.2		24.0
26.0	5.3	6.3	7.9	6.8	6.3	6.0	5.6	5.9	6.9	7.1	6.5	6.0	5.4	5.0		26.0
28.0	4.8	5.8	6.1	5.8	5.3	5.0	4.6	5.4	6.4	6.0	5.4	5.0	4.4	4.0		28.0
30.0	4.4	5.3	5.2	4.9	4.4	4.1	3.7	5	5.9	5.1	4.5	4.1	3.5	3.2		30.0
32.0	4.1	4.9	4.5	4.1	3.6	3.4	3.0	4.6	4.9	4.3	3.8	3.3	2.8	2.4		32.0
34.0	3.8	4.6	3.9	3.4	3.0	2.8	2.3	4.3	4.2	3.7	3.2	2.7	2.0	1.7		34.0
36.0	3.5	3.8	3.2	2.9	2.4	2.0	1.7	4	3.6	3.2	2.5	2.0	1.4	1.1		36.0
38.0	3.2	3.2	2.7	2.3	1.8	1.6	1.2	3.7	3.1	2.6	2.0	1.5				38.0
40.0	3	2.8	2.1	1.8	1.4	1.2		3.4	2.6	2.0	1.5	1.1				40.0
42.0								2.8	2.1	1.6	1.1					42.0
44.0								2.4	1.7	1.3						44.0
46.0																46.0
48.0																48.0
50.0																50.0
52.0																52.0
54.0																54.0
56.0																56.0
58.0																58.0
60.0																60.0
62.0																62.0
64.0																64.0
66.0																66.0
68.0																68.0
70.0																70.0
Reeving	5							4							Reeving	
Hook	55t														Hook	
Telescoping mode	I	1	1	1	1	1	1	2	1	1	1	1	1	2	3	I
	II	1	1	1	1	2	3	2	1	1	1	2	3	3	2	II
	III	1	1	2	3	3	2	2	1	2	3	3	3	2	2	III
	IV	2	3	3	3	2	2	2	3	3	3	3	2	2	2	IV
	V	3	3	3	2	2	2	2	3	3	3	2	2	2	2	V
	VI	3	3	2	2	2	2	2	3	3	2	2	2	2	2	VI
	VII	3	2	2	2	2	2	2	2	3	2	2	2	2	2	VII

Table 8-19 Main boom

Unit: t

Outriggers completely extended, with 18 tons counterweight, counterweight front position, over full range																
Working radius (m)	Boom length (m)														Working radius (m)	
	58.5	58.5	58.5	58.5	58.5	58.5 ★					63.4	63.4	63.4	63.4		63.4 ★
3.0																3.0
3.5																3.5
4.0																4.0
4.5																4.5
5.0																5.0
6.0																6.0
7.0																7.0
8.0																8.0
9.0																9.0
10.0																10.0
12.0																12.0
14.0	10.5	12.6	15.2	18	20.5	19.4				10.7	13.5	15.8	18	19	14.0	
16.0	9.6	11.5	14.3	16.6	15.7	15.0				10.1	12.5	15.1	17.7	15.2	16.0	
18.0	9	10.5	13	13.4	12.5	11.9				9.3	11.5	13.9	12.9	12.1	18.0	
20.0	8.2	9.6	12.1	11.0	10.1	9.5				8.7	10.5	11.3	10.4	9.6	20.0	
22.0	7.6	8.9	9.6	9.0	8.2	7.7				8.1	9.7	9.4	8.5	7.7	22.0	
24.0	7	8.2	8.0	7.5	6.7	6.1				7.5	9	7.8	6.9	6.2	24.0	
26.0	6.4	7.6	6.8	6.2	5.4	4.9				7	7.2	6.5	5.7	5.0	26.0	
28.0	5.9	7	5.7	5.1	4.4	3.9				6.5	6.1	5.5	4.6	4.0	28.0	
30.0	5.5	5.5	4.8	4.3	3.5	3.0				6	5.2	4.6	3.8	3.1	30.0	
32.0	5.1	4.7	4.1	3.5	2.8	2.1				5.7	4.4	3.8	3.0	2.3	32.0	
34.0	4.8	4.1	3.4	2.9	2.0	1.5				4.5	3.8	3.2	2.3	1.6	34.0	
36.0	4.5	3.4	2.8	2.1	1.5					3.9	3.2	2.5	1.7		36.0	
38.0	3.5	3.0	2.1	1.7						3.3	2.6	2.0	1.2		38.0	
40.0	3.1	2.5	1.7	1.3						2.9	2.0	1.5			40.0	
42.0	2.6	2.0	1.4							2.4	1.7	1.1			42.0	
44.0	2.1	1.6								2.0	1.3				44.0	
46.0	1.8	1.3								1.6					46.0	
48.0	1.5									1.4					48.0	
50.0	1.2									1.1					50.0	
52.0															52.0	
54.0															54.0	
56.0															56.0	
58.0															58.0	
60.0															60.0	
62.0															62.0	
64.0															64.0	
66.0															66.0	
68.0															68.0	
70.0															70.0	
Reeving	4										3					Reeving
Hook	55t										25t					Hook
Telescoping mode	I	1	1	1	1	2	3			1	1	1	2	3	I	
	II	1	1	2	3	3	3			1	2	3	3	3	II	
	III	2	3	3	3	3	2			3	3	3	3	3	III	
	IV	3	3	3	3	2	2			3	3	3	3	2	IV	
	V	3	3	3	2	2	2			3	3	3	2	2	V	
	VI	3	3	2	2	2	2			3	3	2	2	2	VI	
	VII	3	2	2	2	2	2			3	2	2	2	2	VII	



Table 8-19 Main boom

Unit: t

Outriggers completely extended, with 18 tons counterweight, counterweight front position, over full range																
Working radius (m)	Boom length (m)														Working radius (m)	
	68.3	68.3	68.3	68.3 ★		73.2	73.2	73.2 ★		78.1	78.1 ★	83 ★	86.2 ★	88 ★		
6.0															6.0	
7.0															7.0	
8.0															8.0	
9.0															9.0	
10.0															10.0	
12.0															12.0	
14.0															14.0	
16.0	10.5	13	14.5	15.5											16.0	
18.0	9.9	12.2	14	12.4		10	10.8	11.5							18.0	
20.0	9.3	11.3	10.8	10.0		9.7	10.5	11.2		8.2	9				20.0	
22.0	8.7	10.6	8.8	8.0		9.2	10.1	8.5		8	8.7	7.1			22.0	
24.0	8.2	8.3	7.3	6.5		8.7	7.7	6.8		7.8	7.4	7	6	5.7	24.0	
26.0	7.6	6.9	6.0	5.2		8.2	6.5	5.6		7.6	6.0	6.8	5.8	5.6	26.0	
28.0	7	5.9	5.0	4.1		6.3	5.4	4.5		5.9	5.0	5.5	5.7	5.5	28.0	
30.0	5.7	5.0	4.1	3.3		5.4	4.5	3.6		5.0	4.1	4.5	4.7	4.6	30.0	
32.0	4.9	4.1	3.3	2.5		4.6	3.7	2.9		4.1	3.2	3.8	3.9	3.8	32.0	
34.0	4.1	3.5	2.6	1.8		3.9	3.0	2.1		3.4	2.6	3.1	3.2	3.1	34.0	
36.0	3.6	2.9	2.0	1.3		3.3	2.4	1.5		2.9	1.9	2.4	2.6	2.5	36.0	
38.0	3.1	2.4	1.4			2.8	1.8	1.1		2.3	1.4	1.8	2.0	1.9	38.0	
40.0	2.5	1.8				2.3	1.4			1.7		1.4	1.5	1.4	40.0	
42.0	2.0	1.4				1.8				1.4			1.1		42.0	
44.0	1.7	1.1				1.4									44.0	
46.0	1.4					1.1									46.0	
48.0															48.0	
50.0															50.0	
52.0															52.0	
54.0															54.0	
56.0															56.0	
58.0															58.0	
60.0															60.0	
62.0															62.0	
64.0															64.0	
66.0															66.0	
68.0															68.0	
70.0															70.0	
72.0															72.0	
74.0															74.0	
Reeving	3					3					2		2	2	2	Reeving
Hook	25t														Hook	
Telescoping mode	I	1	1	2	3		1	2	3		2	3	3	3	4	I
	II	2	3	3	3		3	3	3		3	3	3	3	4	II
	III	3	3	3	3		3	3	3		3	3	3	4	4	III
	IV	3	3	3	3		3	3	3		3	3	3	4	4	IV
	V	3	3	3	2		3	3	3		3	3	3	4	4	V
	VI	3	3	2	2		3	3	2		3	3	3	4	4	VI
	VII	3	2	2	2		3	2	2		3	2	3	4	4	VII

Table 8-20 Main boom

Unit: t

Outriggers completely extended, with 9 tons counterweight, counterweight front position, over full range																
Working radius (m)	Boom length (m)														Working radius (m)	
	14.4 ★	19.3	19.3	19.3	19.3	19.3	19.3	19.3 ★	24.2	24.2	24.2	24.2	24.2	24.2		24.2 ★
3.0	111	48.5	55	72	75	95	110								3.0	
3.5	106	46	55	72	75	95	102	23	46	62	70	75	90	90	3.5	
4.0	93	43.5	55	72	75	93	93	22	44	58	67	72	84	85	4.0	
4.5	85	41.7	55	72	75	85	85	21	41	55	64	70	79	80	4.5	
5.0	80	39.5	55	70	75	80	80	20	39	52	60	67	73	76	5.0	
6.0	61	36.5	49	61	60	60	60	17.5	34	45	53	60	60	60	6.0	
7.0	48.0	33.5	44.5	49	48.0	48.0	48.0	16	31	41	47	49	49	48.0	7.0	
8.0	39.0	31.5	39.5	39.5	39.0	39.0	39.0	14.8	28.5	38	43	42.5	41.0	39.5	8.0	
9.0	32.0	29.5	34.5	34.3	33.7	32.8	31.9	13.7	26.2	35	34.2	33.5	32.5	30.4	9.0	
10.0	25.7	27.5	28.0	27.6	27.2	26.4	25.6	12.8	24.5	30	28.5	27.5	26.1	24.3	10.0	
12.0		20.4	19.7	19.0	18.6	18.0	17.0	10.9	20.5	21.1	20.2	19.2	18.0	16.2	12.0	
14.0		15.1	14.8	14.2	13.6	12.7	12.0	10	16.5	15.8	14.9	13.8	12.7	11.1	14.0	
16.0								9	12.8	12.1	11.3	10.1	9.0	7.5	16.0	
18.0								8.2	10.1	9.5	8.6	7.5	6.5	5.0	18.0	
20.0															20.0	
22.0															22.0	
24.0															24.0	
26.0															26.0	
28.0															28.0	
30.0															30.0	
32.0															32.0	
34.0															34.0	
36.0															36.0	
38.0															38.0	
40.0															40.0	
42.0															42.0	
44.0															44.0	
46.0															46.0	
48.0															48.0	
50.0															50.0	
52.0															52.0	
54.0															54.0	
56.0															56.0	
58.0															58.0	
60.0															60.0	
62.0															62.0	
64.0															64.0	
66.0															66.0	
68.0															68.0	
70.0															70.0	
Reeving	14	13						13						Reeving		
Hook	110t														Hook	
Telescoping mode	I	1	1	1	1	1	1	1	1	1	1	1	1	1	2	I
	II	1	1	1	1	1	1	2	1	1	1	1	1	2	2	II
	III	1	1	1	1	1	2	1	1	1	1	1	2	2	1	III
	IV	1	1	1	1	2	1	1	1	1	1	2	2	1	1	IV
	V	1	1	1	2	1	1	1	1	1	2	2	1	1	1	V
	VI	1	1	2	1	1	1	1	1	1	2	2	1	1	1	VI
	VII	1	2	1	1	1	1	1	3	2	1	1	1	1	1	VII

Table 8-20 Main boom

Unit: t

Outriggers completely extended, with 9 tons counterweight, counterweight front position, over full range																
Working radius (m)	Boom length (m)														Working radius (m)	
	29.1	29.1	29.1	29.1	29.1	29.1	29.1★	34	34	34	34	34	34	34★		
3.0																3.0
3.5																3.5
4.0																4.0
4.5	22	19	45	53	68	80	80									4.5
5.0	21	18.2	43	51.5	65	78	78									5.0
6.0	19.3	16.2	38	45.5	60	63	63	13.5	17.5	27	40.5	50	63	63		6.0
7.0	18.2	14.5	35	41	50	50	49.0	12.2	16.1	25	37	46	53	52.0		7.0
8.0	17	13.1	32	37.5	43	42.0	40.4	11.2	14.8	23	34	42	43.0	41.6		8.0
9.0	15.7	12.1	30	34.5	34.3	33.5	31.2	10.3	13.7	21	31.5	36	34.7	32.3		9.0
10.0	14.7	11.2	27.6	30	28.5	27.1	25.0	9.6	12.5	19.6	29	29.0	28.1	26.0		10.0
12.0	12.7	9.6	24	21.0	20.2	18.8	16.9	8	10.8	16.8	23	21.2	19.7	17.8		12.0
14.0	11.4	8.3	17.0	16.0	14.9	13.5	11.7	7.1	9.6	14.9	17.1	15.8	14.4	12.5		14.0
16.0	10.5	7.4	13.2	12.3	11.3	10.0	8.3	6.3	8.5	13	13.3	12.2	10.8	9.0		16.0
18.0	9.6	6.6	10.6	9.7	8.6	7.5	5.8	5.7	7.7	11.8	10.6	9.5	8.2	6.6		18.0
20.0	8.8	6	8.6	7.7	6.7	5.5	4.0	5.1	7.1	8.9	8.6	7.6	6.3	4.7		20.0
22.0	8.1	5.4	7.0	6.2	5.1	4.1	2.5	4.6	6.4	7.4	7.1	6.0	4.9	3.2		22.0
24.0								4.2	5.9	6.1	5.9	4.8	3.6	2.0		24.0
26.0								3.8	5.4	5.0	4.8	3.8	2.6			26.0
28.0																28.0
30.0																30.0
32.0																32.0
34.0																34.0
36.0																36.0
38.0																38.0
40.0																40.0
42.0																42.0
44.0																44.0
46.0																46.0
48.0																48.0
50.0																50.0
52.0																52.0
54.0																54.0
56.0																56.0
58.0																58.0
60.0																60.0
62.0																62.0
64.0																64.0
66.0																66.0
68.0																68.0
70.0																70.0
Reeving	11							9							Reeving	
Hook	90t														Hook	
Telescoping mode	I	1	1	1	1	1	1	2	1	1	1	1	1	1	2	I
	II	1	1	1	1	1	2	2	1	1	1	1	1	2	2	II
	III	1	1	1	1	2	2	2	1	1	1	1	2	2	2	III
	IV	1	1	1	2	2	2	1	1	1	1	2	2	2	2	IV
	V	1	1	2	2	2	1	1	1	2	3	2	2	2	1	V
	VI	2	3	2	2	1	1	1	3	3	2	2	2	1	1	VI
	VII	3	2	2	1	1	1	1	3	2	2	2	1	1	1	VII

Table 8-20 Main boom

Unit: t

Outriggers completely extended, with 9 tons counterweight, counterweight front position, over full range																
Working radius (m)	Boom length (m)														Working radius (m)	
	38.9	38.9	38.9	38.9	38.9	38.9	38.9★	43.8	43.8	43.8	43.8	43.8	43.8	43.8★		
3.0																3.0
3.5																3.5
4.0																4.0
4.5																4.5
5.0																5.0
6.0																6.0
7.0	13.4	17.3	19	24	40	51	52									7.0
8.0	12.3	16.1	17.5	22.3	37.2	43	42.7									8.0
9.0	11.5	14.9	16.1	20.6	34.5	35.9	33.6	12	14.7	17.5	22.1	27.5	34.6	34.6		9.0
10.0	10.7	13.8	14.9	19	32.5	29.3	27.1	11.5	13.7	16.2	20.7	25.8	30.4	28.3		10.0
12.0	9.1	12	12.7	16.2	22.2	20.7	18.7	9.9	11.5	14	17.6	22.3	21.7	19.8		12.0
14.0	8	10.8	11.2	14.2	16.8	15.4	13.5	8.8	10	12.5	15.7	16.7	16.3	14.4		14.0
16.0	7.1	9.7	10	12.5	13.1	11.7	9.9	7.9	9	11	13.8	13.0	12.6	10.8		16.0
18.0	6.4	8.8	9	11.3	10.4	9.1	7.4	7.2	8	10	10.5	10.3	9.9	8.2		18.0
20.0	5.9	8	8	8.7	8.4	7.1	5.5	6.6	7.3	9	8.5	8.2	7.9	6.3		20.0
22.0	5.3	7.2	7.3	7.1	6.8	5.6	4.0	6	6.6	8.2	6.9	6.7	6.4	4.8		22.0
24.0	4.9	6.8	6.7	5.9	5.6	4.4	2.8	5.6	6	6.1	5.7	5.4	5.1	3.6		24.0
26.0	4.6	5.6	5.1	4.9	4.6	3.4	1.8	5.2	5.5	5.1	4.7	4.4	4.1	2.6		26.0
28.0	4.2	4.7	4.2	4.0	3.7	2.5		4.8	5	4.2	3.8	3.5	3.2	1.7		28.0
30.0	3.9	4.0	3.5	3.2	3.0	1.8		4.5	3.9	3.5	3.1	2.9	2.5			30.0
32.0	3.6	3.3	2.9	2.7	2.3	1.2		4.2	3.2	2.9	2.4	2.1	1.9			32.0
34.0								3.2	2.7	2.3	1.8	1.6	1.4			34.0
36.0								2.8	2.1	1.8	1.4	1.2				36.0
38.0																38.0
40.0																40.0
42.0																42.0
44.0																44.0
46.0																46.0
48.0																48.0
50.0																50.0
52.0																52.0
54.0																54.0
56.0																56.0
58.0																58.0
60.0																60.0
62.0																62.0
64.0																64.0
66.0																66.0
68.0																68.0
70.0																70.0
Reeving	8							6							Reeving	
Hook	90t							55t							Hook	
Telescoping mode	I	1	1	1	1	1	1	2	1	1	1	1	1	1	2	I
	II	1	1	1	1	1	2	2	1	1	1	1	1	2	2	II
	III	1	1	1	1	2	2	2	1	1	1	2	3	2	2	III
	IV	1	1	2	3	2	2	2	1	2	3	3	2	2	2	IV
	V	2	3	3	2	2	2	2	3	3	3	2	2	2	2	V
	VI	3	3	2	2	2	2	2	1	3	3	2	2	2	2	VI
	VII	3	2	2	2	2	1	1	3	2	2	2	2	2	1	VII

Table 8-20 Main boom

Unit: t

Outriggers completely extended, with 9 tons counterweight, counterweight front position, over full range																
Working radius (m)	Boom length (m)															Working radius (m)
	48.7	48.7	48.7	48.7	48.7	48.7	48.7★	53.6	53.6	53.6	53.6	53.6	53.6	53.6		
3.0																3.0
3.5																3.5
4.0																4.0
4.5																4.5
5.0																5.0
6.0																6.0
7.0																7.0
8.0																8.0
9.0																9.0
10.0	12.2	14.7	17.5	22	26.3	27	29.3									10.0
12.0	10.7	12.5	15	19.2	22.8	23.5	20.8	11	13.2	15.8	20.5	21.5	20.7	20.2		12.0
14.0	9.6	11.2	13.3	17	16.3	16.0	15.5	10	12	14.3	16.7	16.0	15.2	14.8		14.0
16.0	8.7	10	12	13.1	12.5	12.2	11.7	9.2	10.9	13	12.8	12.2	11.5	11.1		16.0
18.0	7.7	9	11	10.4	9.8	9.5	9.1	8.3	9.7	11.8	10.1	9.5	8.8	8.5		18.0
20.0	6.9	8.1	8.8	8.4	7.8	7.6	7.1	7.6	8.9	8.7	8.0	7.6	6.8	6.5		20.0
22.0	6.3	7.3	7.2	6.8	6.3	6.0	5.6	7	8.2	7.1	6.5	6.0	5.3	5.0		22.0
24.0	5.8	6.8	5.9	5.6	5.0	4.8	4.3	6.4	6.4	5.9	5.2	4.8	4.1	3.7		24.0
26.0	5.3	5.5	5.0	4.5	4.1	3.8	3.3	5.9	5.3	4.8	4.1	3.7	3.2	2.7		26.0
28.0	4.8	4.7	4.1	3.7	3.2	3.0	2.5	5.4	4.4	4.0	3.3	2.9	2.1	1.8		28.0
30.0	4.4	3.9	3.3	3.0	2.4	2.1	1.7	4.3	3.7	3.2	2.6	2.0	1.5	1.1		30.0
32.0	4.1	3.2	2.7	2.3	1.8	1.5	1.1	3.7	3.1	2.5	1.9	1.4				32.0
34.0	3.2	2.7	2.0	1.7	1.3			3.2	2.5	1.9	1.4					34.0
36.0	2.7	2.1	1.6	1.3				2.6	2.0	1.4						36.0
38.0	2.1	1.7	1.2					2.1	1.5							38.0
40.0	1.8	1.4						1.7	1.2							40.0
42.0								1.4								42.0
44.0								1.1								44.0
46.0																46.0
48.0																48.0
50.0																50.0
52.0																52.0
54.0																54.0
56.0																56.0
58.0																58.0
60.0																60.0
62.0																62.0
64.0																64.0
66.0																66.0
68.0																68.0
70.0																70.0
Reeving	5							4							Reeving	
Hook	55t															Hook
Telescoping mode	I	1	1	1	1	1	1	2	1	1	1	1	1	2	3	I
	II	1	1	1	1	2	3	2	1	1	1	2	3	3	2	II
	III	1	1	2	3	3	2	2	1	2	3	3	3	2	2	III
	IV	2	3	3	3	2	2	2	3	3	3	3	2	2	2	IV
	V	3	3	3	2	2	2	2	3	3	3	2	2	2	2	V
	VI	3	3	2	2	2	2	2	3	3	2	2	2	2	2	VI
	VII	3	2	2	2	2	2	2	2	3	2	2	2	2	2	VII

Table 8-20 Main boom

Unit: t

Outriggers completely extended, with 9 tons counterweight, counterweight front position, over full range																	
Working radius (m)	Boom length (m)														Working radius (m)		
	58.5	58.5	58.5	58.5	58.5	58.5 ★					63.4	63.4	63.4	63.4		63.4 ★	
3.0																3.0	
3.5																3.5	
4.0																4.0	
4.5																4.5	
5.0																5.0	
6.0																6.0	
7.0																7.0	
8.0																8.0	
9.0																9.0	
10.0																10.0	
12.0																12.0	
14.0	10.5	12.6	15.2	18	15.4	14.7				10.7	13.5	15.8	15.8	14.9		14.0	
16.0	9.6	11.5	14.3	12.5	11.6	10.9				10.1	12.5	13.0	12.0	11.1		16.0	
18.0	9	10.5	10.4	9.8	8.9	8.3				9.3	11.5	10.2	9.2	8.4		18.0	
20.0	8.2	9.6	8.4	7.7	6.9	6.3				8.7	8.8	8.1	7.2	6.4		20.0	
22.0	7.6	7.6	6.8	6.2	5.4	4.8				8.1	7.2	6.5	5.6	4.9		22.0	
24.0	7	6.2	5.5	5.0	4.1	3.6				6.7	5.9	5.2	4.4	3.7		24.0	
26.0	6.4	5.1	4.5	3.9	3.2	2.6				5.6	4.9	4.2	3.3	2.7		26.0	
28.0	4.9	4.3	3.6	3.1	2.3	1.6				4.7	4.0	3.3	2.5	1.7		28.0	
30.0	4.1	3.5	2.9	2.3	1.5					4.0	3.2	2.6	1.7			30.0	
32.0	3.5	2.9	2.1	1.6						3.3	2.6	1.9	1.1			32.0	
34.0	2.9	2.3	1.6	1.1						2.8	2.0	1.4				34.0	
36.0	2.4	1.8	1.2							2.1	1.4					36.0	
38.0	1.9	1.4								1.7	1.1					38.0	
40.0	1.5									1.4						40.0	
42.0	1.2															42.0	
44.0																44.0	
46.0																46.0	
48.0																48.0	
50.0																50.0	
52.0																52.0	
54.0																54.0	
56.0																56.0	
58.0																58.0	
60.0																60.0	
62.0																62.0	
64.0																64.0	
66.0																66.0	
68.0																68.0	
70.0																70.0	
Reeving	4										3					Reeving	
Hook	55t										25t					Hook	
Telescoping mode	I	1	1	1	1	2	3				1	1	1	2	3	I	Telescoping mode
	II	1	1	2	3	3	3				1	2	3	3	3	II	
	III	2	3	3	3	3	2				3	3	3	3	3	III	
	IV	3	3	3	3	2	2				3	3	3	3	2	IV	
	V	3	3	3	2	2	2				3	3	3	2	2	V	
	VI	3	3	2	2	2	2				3	3	2	2	2	VI	
	VII	3	2	2	2	2	2				3	2	2	2	2	VII	

Table 8-20 Main boom

Unit: t

Outriggers completely extended, with 9 tons counterweight, counterweight front position, over full range																
Working radius (m)	Boom length (m)														Working radius (m)	
	68.3	68.3	68.3	68.3 ★		73.2	73.2	73.2 ★		78.1	78.1 ★	83 ★	86.2 ★	88 ★		
6.0															6.0	
7.0															7.0	
8.0															8.0	
9.0															9.0	
10.0															10.0	
12.0															12.0	
14.0															14.0	
16.0	10.5	13	12.4	11.4											16.0	
18.0	9.9	10.7	9.6	8.7		10	10.8	9.2							18.0	
20.0	9.3	8.6	7.6	6.8		9.7	8.1	7.1		8.2	7.7				20.0	
22.0	7.7	6.9	5.9	5.1		7.5	6.5	5.6		7.0	6.0	7.1			22.0	
24.0	6.4	5.7	4.7	3.9		6.1	5.1	4.2		5.7	4.7	5.2	6	5.7	24.0	
26.0	5.3	4.6	3.7	2.9		5.0	4.1	3.2		4.6	3.7	4.1	4.3	4.2	26.0	
28.0	4.4	3.7	2.8	2.0		4.1	3.2	2.3		3.7	2.8	3.2	3.4	3.3	28.0	
30.0	3.6	3.0	2.0	1.3		3.4	2.4	1.5		2.9	2.0	2.5	2.6	2.5	30.0	
32.0	3.0	2.3	1.4			2.7	1.7			2.1	1.4	1.7	1.9	1.8	32.0	
34.0	2.4	1.7				2.0	1.2			1.6		1.2	1.4	1.3	34.0	
36.0	1.9	1.2				1.6				1.1					36.0	
38.0	1.4					1.2									38.0	
40.0	1.1														40.0	
42.0															42.0	
44.0															44.0	
46.0															46.0	
48.0															48.0	
50.0															50.0	
52.0															52.0	
54.0															54.0	
56.0															56.0	
58.0															58.0	
60.0															60.0	
62.0															62.0	
64.0															64.0	
66.0															66.0	
68.0															68.0	
70.0															70.0	
72.0															72.0	
74.0															74.0	
Reeving	3					3					2		2	2	2	Reeving
Hook	25t														Hook	
Telescoping mode	I	1	1	2	3		1	2	3		2	3	3	3	4	I
	II	2	3	3	3		3	3	3		3	3	3	3	4	II
	III	3	3	3	3		3	3	3		3	3	3	4	4	III
	IV	3	3	3	3		3	3	3		3	3	3	4	4	IV
	V	3	3	3	2		3	3	3		3	3	3	4	4	V
	VI	3	3	2	2		3	3	2		3	3	3	4	4	VI
	VII	3	2	2	2		3	2	2		3	2	3	4	4	VII

Table 8-21 Main boom

Unit: t

Outriggers intermediately extended, with 45 tons counterweight, counterweight front position, over full range																
Working radius (m)	Boom length (m)														Working radius (m)	
	14.4 ★	19.3	19.3	19.3	19.3	19.3	19.3	19.3 ★	24.2	24.2	24.2	24.2	24.2	24.2		24.2 ★
3.0	120	48.5	55	72	75	95	110								3.0	
3.5	112	46	55	72	75	95	105	23	46	62	70	75	90	90	3.5	
4.0	100	43.5	55	72	75	95	98	22	44	58	67	72	84	85	4.0	
4.5	92	41.7	55	72	75	92	92	21	41	55	64	70	79	80	4.5	
5.0	85	39.5	55	70	75	85	85	20	39	52	60	67	73	76	5.0	
6.0	70	36.5	49	63	70	70	70	17.5	34	45	53	60	65	70	6.0	
7.0	60.0	33.5	44.5	57.5	60	60	60	16	31	41	47	61	60	60	7.0	
8.0	51.6	31.5	40.5	53	53.1	52.3	51.5	14.8	28.5	38	44	53.5	52.5	50.2	8.0	
9.0	42.0	29.5	37.5	48.5	43.5	42.8	41.9	13.7	26.2	35	40	43.7	42.5	40.8	9.0	
10.0	35.1	27.5	34	37.0	36.5	35.7	35.0	12.8	24.5	32.5	37	36.7	35.6	33.9	10.0	
12.0		24.5	30	27.5	27.0	26.4	25.7	10.9	20.5	27.5	31	27.2	26.1	24.7	12.0	
14.0		22.5	21.9	21.3	20.9	20.3	19.5	10	18.5	24	22.0	21.1	20.1	18.6	14.0	
16.0								9	16.5	18.4	17.6	16.8	15.8	14.4	16.0	
18.0								8.2	15	15.1	14.5	13.6	12.7	11.3	18.0	
20.0															20.0	
22.0															22.0	
24.0															24.0	
26.0															26.0	
28.0															28.0	
30.0															30.0	
32.0															32.0	
34.0															34.0	
36.0															36.0	
38.0															38.0	
40.0															40.0	
42.0															42.0	
44.0															44.0	
46.0															46.0	
48.0															48.0	
50.0															50.0	
52.0															52.0	
54.0															54.0	
56.0															56.0	
58.0															58.0	
60.0															60.0	
62.0															62.0	
64.0															64.0	
66.0															66.0	
68.0															68.0	
70.0															70.0	
Reeving	14	13						13						Reeving		
Hook	110t														Hook	
Telescoping mode	I	1	1	1	1	1	1	1	1	1	1	1	1	1	2	Telescoping mode
	II	1	1	1	1	1	1	2	1	1	1	1	1	2	2	
	III	1	1	1	1	1	2	1	1	1	1	1	2	2	1	
	IV	1	1	1	1	2	1	1	1	1	1	2	2	1	1	
	V	1	1	1	2	1	1	1	1	1	2	2	1	1	1	
	VI	1	1	2	1	1	1	1	1	1	2	2	1	1	1	
	VII	1	2	1	1	1	1	1	3	2	1	1	1	1	1	



Table 8-21 Main boom

Unit: t

Outriggers intermediately extended, with 45 tons counterweight, counterweight front position, over full range																
Working radius (m)	Boom length (m)														Working radius (m)	
	29.1	29.1	29.1	29.1	29.1	29.1	29.1★	34	34	34	34	34	34	34★		
3.0															3.0	
3.5															3.5	
4.0															4.0	
4.5	22	19	45	53	68	80	80								4.5	
5.0	21	18.2	43	51.5	65	78	78								5.0	
6.0	19.3	16.2	38	45.5	60	70	70	13.5	17.5	27	40.5	50	65	65	6.0	
7.0	18.2	14.5	35	41	55	61	61	12.2	16.1	25	37	46	60	61	7.0	
8.0	17	13.1	32	37.5	49	53.0	50.9	11.2	14.8	23	34	42	55	51.9	8.0	
9.0	15.7	12.1	30	34.5	46.5	43.4	41.5	10.3	13.7	21	31.5	39	44.4	42.4	9.0	
10.0	14.7	11.2	27.6	32	37.7	36.4	34.6	9.6	12.5	19.6	29	36.5	37.4	35.5	10.0	
12.0	12.7	9.6	24	27	28.2	26.9	25.2	8	10.8	16.8	24.5	30.8	27.7	26.0	12.0	
14.0	11.4	8.3	21	24	22.0	20.8	19.2	7.1	9.6	14.9	22	22.9	21.6	20.0	14.0	
16.0	10.5	7.4	18.6	18.6	17.6	16.5	14.9	6.3	8.5	13	19.5	18.5	17.3	15.7	16.0	
18.0	9.6	6.6	17	15.4	14.4	13.3	11.9	5.7	7.7	11.8	17.7	15.3	14.1	12.5	18.0	
20.0	8.8	6	13.8	13.0	12.0	10.9	9.5	5.1	7.1	10.7	13.8	12.8	11.6	10.2	20.0	
22.0	8.1	5.4	11.8	11.0	10.1	9.0	7.6	4.6	6.4	9.9	11.8	10.8	9.7	8.2	22.0	
24.0									4.2	5.9	9.1	10.2	9.3	8.1	24.0	
26.0									3.8	5.4	8.4	8.8	7.9	6.8	26.0	
28.0															28.0	
30.0															30.0	
32.0															32.0	
34.0															34.0	
36.0															36.0	
38.0															38.0	
40.0															40.0	
42.0															42.0	
44.0															44.0	
46.0															46.0	
48.0															48.0	
50.0															50.0	
52.0															52.0	
54.0															54.0	
56.0															56.0	
58.0															58.0	
60.0															60.0	
62.0															62.0	
64.0															64.0	
66.0															66.0	
68.0															68.0	
70.0															70.0	
Reeving	11							9							Reeving	
Hook	90t														Hook	
Telescoping mode	I	1	1	1	1	1	1	2	1	1	1	1	1	1	2	I
	II	1	1	1	1	1	2	2	1	1	1	1	1	2	2	II
	III	1	1	1	1	2	2	2	1	1	1	1	2	2	2	III
	IV	1	1	1	2	2	2	1	1	1	1	2	2	2	2	IV
	V	1	1	2	2	2	1	1	1	2	3	2	2	2	1	V
	VI	2	3	2	2	1	1	1	3	3	2	2	2	1	1	VI
	VII	3	2	2	1	1	1	1	3	2	2	2	1	1	1	VII

Table 8-21 Main boom

Unit: t

Outriggers intermediately extended, with 45 tons counterweight, counterweight front position, over full range																
Working radius (m)	Boom length (m)															Working radius (m)
	38.9	38.9	38.9	38.9	38.9	38.9	38.9★	43.8	43.8	43.8	43.8	43.8	43.8	43.8	43.8★	
3.0																3.0
3.5																3.5
4.0																4.0
4.5																4.5
5.0																5.0
6.0																6.0
7.0	13.4	17.3	19	24	40	51	60									7.0
8.0	12.3	16.1	17.5	22.3	37.2	47.5	57									8.0
9.0	11.5	14.9	16.1	20.6	34.5	44	43.5	12	14.7	17.5	22.1	27.5	38	48		9.0
10.0	10.7	13.8	14.9	19	32.5	41.5	36.5	11.5	13.7	16.2	20.7	25.8	36	37.5		10.0
12.0	9.1	12	12.7	16.2	27.5	28.7	26.9	9.9	11.5	14	17.6	22.3	31.7	27.9		12.0
14.0	8	10.8	11.2	14.2	25	22.4	20.8	8.8	10	12.5	15.7	19.5	23.3	21.7		14.0
16.0	7.1	9.7	10	12.5	19.4	18.1	16.5	7.9	9	11	13.8	17.3	18.9	17.3		16.0
18.0	6.4	8.8	9	11.3	16.1	14.9	13.3	7.2	8	10	12.5	15.5	15.7	14.1		18.0
20.0	5.9	8	8	10.2	13.6	12.4	10.9	6.6	7.3	9	11.3	14	13.1	11.6		20.0
22.0	5.3	7.2	7.3	9.3	11.6	10.4	8.9	6	6.6	8.2	10.2	11.4	11.2	9.7		22.0
24.0	4.9	6.8	6.7	8.5	10.0	8.8	7.4	5.6	6	7.6	9.4	9.9	9.5	8.1		24.0
26.0	4.6	6.3	6.1	7.8	8.6	7.6	6.0	5.2	5.5	6.9	8.6	8.6	8.3	6.8		26.0
28.0	4.2	5.9	5.6	7.2	7.6	6.4	5.0	4.8	5	6.4	7.9	7.4	7.1	5.7		28.0
30.0	3.9	5.5	5.1	6.6	6.6	5.5	4.1	4.5	4.6	5.9	7.3	6.4	6.1	4.8		30.0
32.0	3.6	5.1	4.7	6	5.8	4.7	3.2	4.2	4.3	5.5	5.9	5.6	5.3	4.0		32.0
34.0								3.9	3.9	5	5.1	4.9	4.6	3.2		34.0
36.0								3.6	3.6	4.7	4.4	4.2	4.0	2.6		36.0
38.0																38.0
40.0																40.0
42.0																42.0
44.0																44.0
46.0																46.0
48.0																48.0
50.0																50.0
52.0																52.0
54.0																54.0
56.0																56.0
58.0																58.0
60.0																60.0
62.0																62.0
64.0																64.0
66.0																66.0
68.0																68.0
70.0																70.0
Reeving	8							6							Reeving	
Hook	90t							55t							Hook	
Telescoping mode	I	1	1	1	1	1	1	2	1	1	1	1	1	1	2	I
	II	1	1	1	1	1	2	2	1	1	1	1	1	2	2	II
	III	1	1	1	1	2	2	2	1	1	1	2	3	2	2	III
	IV	1	1	2	3	2	2	2	1	2	3	3	2	2	2	IV
	V	2	3	3	2	2	2	2	3	3	3	2	2	2	2	V
	VI	3	3	2	2	2	2	1	3	3	2	2	2	2	2	VI
	VII	3	2	2	2	2	1	1	3	2	2	2	2	2	1	VII

Table 8-21 Main boom

Unit: t

Outriggers intermediately extended, with 45 tons counterweight, counterweight front position, over full range																
Working radius (m)	Boom length (m)														Working radius (m)	
	48.7	48.7	48.7	48.7	48.7	48.7	48.7★	53.6	53.6	53.6	53.6	53.6	53.6	53.6		
3.0																3.0
3.5																3.5
4.0																4.0
4.5																4.5
5.0																5.0
6.0																6.0
7.0																7.0
8.0																8.0
9.0																9.0
10.0	12.2	14.7	17.5	22	26.3	27	39									10.0
12.0	10.7	12.5	15	19.2	22.8	23.5	28.9	11	13.2	15.8	20.5	21.5	25	30		12.0
14.0	9.6	11.2	13.3	17	20	21	22.6	10	12	14.3	18.6	19.3	22	22.0		14.0
16.0	8.7	10	12	15.1	17.6	18.5	18.2	9.2	10.9	13	16.8	17	20	17.6		16.0
18.0	7.7	9	11	13.7	16	16.5	14.9	8.3	9.7	11.8	15	15.3	14.8	14.3		18.0
20.0	6.9	8.1	10	12.5	14.3	12.9	12.4	7.6	8.9	10.8	13.6	14	12.2	11.9		20.0
22.0	6.3	7.3	9.1	11.4	11.2	10.9	10.4	7	8.2	10	12.5	10.9	10.3	9.9		22.0
24.0	5.8	6.8	8.5	10.5	9.5	9.3	8.8	6.4	7.5	9.3	9.7	9.3	8.6	8.3		24.0
26.0	5.3	6.3	7.9	8.6	8.2	7.9	7.6	5.9	6.9	8.6	8.4	7.9	7.3	6.9		26.0
28.0	4.8	5.8	7.3	7.5	7.0	6.8	6.4	5.4	6.4	8	7.2	6.8	6.2	5.9		28.0
30.0	4.4	5.3	6.8	6.6	6.1	5.9	5.5	5	5.9	7.5	6.2	5.9	5.2	4.9		30.0
32.0	4.1	4.9	6.3	5.7	5.2	5.0	4.6	4.6	5.5	5.9	5.4	5.0	4.4	4.1		32.0
34.0	3.8	4.6	5.8	5.0	4.5	4.3	3.9	4.3	5.2	5.2	4.7	4.2	3.7	3.3		34.0
36.0	3.5	4.3	4.7	4.3	3.9	3.7	3.2	4	4.8	4.6	4.1	3.6	3.1	2.7		36.0
38.0	3.2	4	4.1	3.8	3.3	3.1	2.7	3.7	4.5	4.0	3.4	3.1	2.5	2.0		38.0
40.0	3	3.7	3.6	3.2	2.8	2.6	2.0	3.4	4.2	3.5	3.0	2.5	1.9	1.5		40.0
42.0								3.3	3.5	3.0	2.5	2.0	1.4	1.1		42.0
44.0								3	3.1	2.6	2.0	1.6	1.1			44.0
46.0																46.0
48.0																48.0
50.0																50.0
52.0																52.0
54.0																54.0
56.0																56.0
58.0																58.0
60.0																60.0
62.0																62.0
64.0																64.0
66.0																66.0
68.0																68.0
70.0																70.0
Reeving	5							4							Reeving	
Hook	55t														Hook	
Telescoping mode	I	1	1	1	1	1	1	2	1	1	1	1	1	2	3	I
	II	1	1	1	1	2	3	2	1	1	1	2	3	3	2	II
	III	1	1	2	3	3	2	2	1	2	3	3	3	2	2	III
	IV	2	3	3	3	2	2	2	3	3	3	3	2	2	2	IV
	V	3	3	3	2	2	2	2	3	3	3	2	2	2	2	V
	VI	3	3	2	2	2	2	2	3	3	2	2	2	2	2	VI
	VII	3	2	2	2	2	2	2	3	2	2	2	2	2	2	VII

Table 8-21 Main boom

Unit: t

Outriggers intermediately extended, with 45 tons counterweight, counterweight front position, over full range																
Working radius (m)	Boom length (m)														Working radius (m)	
	58.5	58.5	58.5	58.5	58.5	58.5★					63.4	63.4	63.4	63.4		63.4★
3.0																3.0
3.5																3.5
4.0																4.0
4.5																4.5
5.0																5.0
6.0																6.0
7.0																7.0
8.0																8.0
9.0																9.0
10.0																10.0
12.0																12.0
14.0	10.5	12.6	15.2	18	20.5	23				10.7	13.5	15.8	18	19	14.0	
16.0	9.6	11.5	14.3	16.6	19	17.6				10.1	12.5	15.1	17.7	18.7	16.0	
18.0	9	10.5	13	15	14.9	14.3				9.3	11.5	13.9	16.2	14.4	18.0	
20.0	8.2	9.6	12.1	13.6	12.3	11.8				8.7	10.5	12.8	12.6	11.9	20.0	
22.0	7.6	8.9	11.2	12	10.4	9.8				8.1	9.7	11.5	10.6	9.9	22.0	
24.0	7	8.2	10.3	9.5	8.7	8.2				7.5	9	10.5	8.9	8.3	24.0	
26.0	6.4	7.6	8.6	8.1	7.4	6.8				7	8.4	8.5	7.6	6.9	26.0	
28.0	5.9	7	7.5	6.9	6.2	5.8				6.5	7.9	7.3	6.5	5.9	28.0	
30.0	5.5	6.6	6.5	6.0	5.3	4.8				6	7.4	6.3	5.5	4.9	30.0	
32.0	5.1	6.1	5.7	5.1	4.4	4.0				5.7	6.0	5.4	4.7	4.1	32.0	
34.0	4.8	5.7	5.0	4.4	3.7	3.2				5.3	5.3	4.7	4.0	3.3	34.0	
36.0	4.5	5.4	4.2	3.8	3.1	2.6				5	4.6	4.1	3.2	2.6	36.0	
38.0	4.2	4.3	3.7	3.2	2.5	1.9				4.7	4.1	3.4	2.7	2.0	38.0	
40.0	4	3.8	3.2	2.7	1.9	1.4				4.1	3.5	3.0	2.0	1.5	40.0	
42.0	3.7	3.3	2.7	2.1	1.4					4.1	3.1	2.5	1.6	1.1	42.0	
44.0	3.5	2.9	2.3	1.7	1.1					3.3	2.6	2.0	1.3		44.0	
46.0	3.3	2.5	1.8	1.4						2.9	2.1	1.6			46.0	
48.0	3	2.0	1.5							2.5	1.8	1.3			48.0	
50.0	2.3	1.8	1.2							2.1	1.5				50.0	
52.0										1.8	1.2				52.0	
54.0										1.5					54.0	
56.0															56.0	
58.0															58.0	
60.0															60.0	
62.0															62.0	
64.0															64.0	
66.0															66.0	
68.0															68.0	
70.0															70.0	
Reeving	4										3					Reeving
Hook	55t										25t					Hook
Telescoping mode	I	1	1	1	1	2	3				1	1	1	2	3	Telescoping mode
	II	1	1	2	3	3	3				1	2	3	3	3	
	III	2	3	3	3	3	2				3	3	3	3	3	
	IV	3	3	3	3	2	2				3	3	3	3	2	
	V	3	3	3	2	2	2				3	3	3	2	2	
	VI	3	3	2	2	2	2				3	3	2	2	2	
	VII	3	2	2	2	2	2				3	2	2	2	2	

Table 8-21 Main boom

Unit: t

Outriggers intermediately extended, with 45 tons counterweight, counterweight front position, over full range																
Working radius (m)	Boom length (m)														Working radius (m)	
	68.3	68.3	68.3	68.3 ★		73.2	73.2	73.2 ★		78.1	78.1 ★	83 ★	86.2 ★	88 ★		
6.0															6.0	
7.0															7.0	
8.0															8.0	
9.0															9.0	
10.0															10.0	
12.0															12.0	
14.0															14.0	
16.0	10.5	13	14.5	15.5											16.0	
18.0	9.9	12.2	14	15		10	10.8	11.5							18.0	
20.0	9.3	11.3	13.5	12.2		9.7	10.5	11.2		8.2	9				20.0	
22.0	8.7	10.6	11.0	10.2		9.2	10.1	10.8		8	8.7	7.1			22.0	
24.0	8.2	9.8	9.4	8.6		8.7	9.7	8.9		7.8	8.4	7	6	5.7	24.0	
26.0	7.6	9.2	7.9	7.2		8.2	9.3	7.6		7.6	8.2	6.8	5.8	5.6	26.0	
28.0	7	7.7	6.8	6.0		7.8	7.2	6.4		7.4	6.8	6.6	5.7	5.5	28.0	
30.0	6.6	6.7	5.8	5.0		7.3	6.2	5.4		7.2	5.9	6.4	5.6	5.4	30.0	
32.0	6.2	5.8	5.0	4.2		6.9	5.3	4.6		5.8	5.0	5.4	5.5	5.3	32.0	
34.0	5.8	5.0	4.2	3.5		5.5	4.6	3.8		5.0	4.2	4.7	5.4	5.2	34.0	
36.0	5.5	4.4	3.6	2.9		4.8	4.0	3.2		4.3	3.5	4.0	4.1	4.1	36.0	
38.0	4.4	3.8	3.0	2.1		4.2	3.3	2.6		3.8	3.0	3.4	3.5	3.4	38.0	
40.0	3.9	3.3	2.5	1.7		3.7	2.8	2.0		3.2	2.4	2.9	3.0	2.9	40.0	
42.0	3.4	2.8	1.9	1.3		3.2	2.3	1.5		2.8	1.9	2.3	2.5	2.4	42.0	
44.0	3.0	2.4	1.5			2.8	1.9	1.1		2.3	1.4	1.9	2.0	1.9	44.0	
46.0	2.6	1.9	1.2			2.3	1.4			1.9	1.1	1.4	1.6	1.5	46.0	
48.0	2.1	1.5				2.0	1.1			1.5		1.1	1.3	1.2	48.0	
50.0	1.9	1.3				1.6				1.2					50.0	
52.0	1.5					1.4									52.0	
54.0	1.3					1.1									54.0	
56.0															56.0	
58.0															58.0	
60.0															60.0	
62.0															62.0	
64.0															64.0	
66.0															66.0	
68.0															68.0	
70.0															70.0	
72.0															72.0	
74.0															74.0	
Reeving	3					3					2		2	2	2	Reeving
Hook	25t														Hook	
Telescoping mode	I	1	1	2	3		1	2	3		2	3	3	3	4	I
	II	2	3	3	3		3	3	3		3	3	3	3	4	II
	III	3	3	3	3		3	3	3		3	3	3	4	4	III
	IV	3	3	3	3		3	3	3		3	3	3	4	4	IV
	V	3	3	3	2		3	3	3		3	3	3	4	4	V
	VI	3	3	2	2		3	3	2		3	3	3	4	4	VI
	VII	3	2	2	2		3	2	2		3	2	3	4	4	VII

Table 8-22 Main boom

Unit: t

Outriggers intermediately extended, with 36 tons counterweight, counterweight front position, over full range																
Working radius (m)	Boom length (m)														Working radius (m)	
	14.4★	19.3	19.3	19.3	19.3	19.3	19.3★	24.2	24.2	24.2	24.2	24.2	24.2	24.2★		
3.0	117	48.5	55	72	75	95	110								3.0	
3.5	109	46	55	72	75	95	105	23	46	62	70	75	90	90	3.5	
4.0	95	43.5	55	72	75	95	95	22	44	58	67	72	84	85	4.0	
4.5	89	41.7	55	72	75	89	89	21	41	55	64	70	79	80	4.5	
5.0	81	39.5	55	70	75	81	81	20	39	52	60	67	73	76	5.0	
6.0	65	36.5	49	63	65	65	65	17.5	34	45	53	60	65	65	6.0	
7.0	55.0	33.5	44.5	57.5	57.0	56.5	55.5	16	31	41	47	56	55	54.5	7.0	
8.0	43.8	31.5	40.5	46.0	45.4	44.6	43.7	14.8	28.5	38	44	45.6	44.3	42.5	8.0	
9.0	35.6	29.5	37.5	37.5	37.0	36.3	35.5	13.7	26.2	35	40	37.2	36.0	34.2	9.0	
10.0	29.5	27.5	34	31.4	30.9	30.2	29.4	12.8	24.5	32.5	32.1	31.1	30.0	28.4	10.0	
12.0		24.5	23.6	23.1	22.6	22.0	21.2	10.9	20.5	24.6	23.8	22.9	21.8	20.3	12.0	
14.0		18.6	18.2	17.7	17.3	16.7	15.9	10	18.5	19.1	18.4	17.5	16.5	15.0	14.0	
16.0								9	16.5	15.3	14.6	13.8	12.8	11.3	16.0	
18.0								8.2	13.1	12.5	11.8	11.0	10.0	8.6	18.0	
20.0															20.0	
22.0															22.0	
24.0															24.0	
26.0															26.0	
28.0															28.0	
30.0															30.0	
32.0															32.0	
34.0															34.0	
36.0															36.0	
38.0															38.0	
40.0															40.0	
42.0															42.0	
44.0															44.0	
46.0															46.0	
48.0															48.0	
50.0															50.0	
52.0															52.0	
54.0															54.0	
56.0															56.0	
58.0															58.0	
60.0															60.0	
62.0															62.0	
64.0															64.0	
66.0															66.0	
68.0															68.0	
70.0															70.0	
Reeving	14	13						13						Reeving		
Hook	110t														Hook	
Telescoping mode	I	1	1	1	1	1	1	1	1	1	1	1	1	1	2	I
	II	1	1	1	1	1	1	2	1	1	1	1	1	2	2	II
	III	1	1	1	1	1	2	1	1	1	1	1	2	2	1	III
	IV	1	1	1	1	2	1	1	1	1	1	2	2	1	1	IV
	V	1	1	1	2	1	1	1	1	1	2	2	1	1	1	V
	VI	1	1	2	1	1	1	1	1	2	2	1	1	1	1	VI
	VII	1	2	1	1	1	1	1	3	2	1	1	1	1	1	VII

Table 8-22 Main boom

Unit: t

Outriggers intermediately extended, with 36 tons counterweight, counterweight front position, over full range																
Working radius (m)	Boom length (m)														Working radius (m)	
	29.1	29.1	29.1	29.1	29.1	29.1	29.1★	34	34	34	34	34	34	34★		
3.0															3.0	
3.5															3.5	
4.0															4.0	
4.5	22	19	45	53	68	80	80								4.5	
5.0	21	18.2	43	51.5	65	78	78								5.0	
6.0	19.3	16.2	38	45.5	60	70	70	13.5	17.5	27	40.5	50	65	68	6.0	
7.0	18.2	14.5	35	41	55	63	54.7	12.2	16.1	25	37	46	60	54.5	7.0	
8.0	17	13.1	32	37.5	49	45.3	43.2	11.2	14.8	23	34	42	46.4	44.2	8.0	
9.0	15.7	12.1	30	34.5	38.3	36.9	34.9	10.3	13.7	21	31.5	39	37.9	35.9	9.0	
10.0	14.7	11.2	27.6	32	32.1	30.8	28.9	9.6	12.5	19.6	29	36.5	31.7	29.8	10.0	
12.0	12.7	9.6	24	27	23.8	22.5	20.8	8	10.8	16.8	24.5	24.7	23.3	21.6	12.0	
14.0	11.4	8.3	21	19.4	18.4	17.2	15.6	7.1	9.6	14.9	22	19.3	18.0	16.3	14.0	
16.0	10.5	7.4	16.4	15.6	14.6	13.4	11.9	6.3	8.5	13	16.5	15.4	14.2	12.6	16.0	
18.0	9.6	6.6	13.6	12.7	11.8	10.7	9.2	5.7	7.7	11.8	13.6	12.6	11.4	9.9	18.0	
20.0	8.8	6	11.3	10.5	9.6	8.6	7.1	5.1	7.1	10.7	11.4	10.4	9.3	7.7	20.0	
22.0	8.1	5.4	9.6	8.8	7.9	6.8	5.4	4.6	6.4	9.9	9.7	8.7	7.6	6.1	22.0	
24.0								4.2	5.9	9.1	8.3	7.3	6.2	4.8	24.0	
26.0								3.8	5.4	7.4	7.1	6.1	5.0	3.6	26.0	
28.0															28.0	
30.0															30.0	
32.0															32.0	
34.0															34.0	
36.0															36.0	
38.0															38.0	
40.0															40.0	
42.0															42.0	
44.0															44.0	
46.0															46.0	
48.0															48.0	
50.0															50.0	
52.0															52.0	
54.0															54.0	
56.0															56.0	
58.0															58.0	
60.0															60.0	
62.0															62.0	
64.0															64.0	
66.0															66.0	
68.0															68.0	
70.0															70.0	
Reeving	11							9							Reeving	
Hook	90t														Hook	
Telescoping mode	I	1	1	1	1	1	1	2	1	1	1	1	1	1	2	I
	II	1	1	1	1	1	2	2	1	1	1	1	1	2	2	II
	III	1	1	1	1	2	2	2	1	1	1	1	2	2	2	III
	IV	1	1	1	2	2	2	1	1	1	1	2	2	2	2	IV
	V	1	1	2	2	2	1	1	1	2	3	2	2	2	1	V
	VI	2	3	2	2	1	1	1	3	3	2	2	2	1	1	VI
	VII	3	2	2	1	1	1	1	3	2	2	2	2	1	1	VII

Table 8-22 Main boom

Unit: t

Outriggers intermediately extended, with 36 tons counterweight, counterweight front position, over full range																
Working radius (m)	Boom length (m)															Working radius (m)
	38.9	38.9	38.9	38.9	38.9	38.9	38.9★	43.8	43.8	43.8	43.8	43.8	43.8	43.8	43.8★	
3.0																3.0
3.5																3.5
4.0																4.0
4.5																4.5
5.0																5.0
6.0																6.0
7.0	13.4	17.3	19	24	40	51	60									7.0
8.0	12.3	16.1	17.5	22.3	37.2	47.5	44.4									8.0
9.0	11.5	14.9	16.1	20.6	34.5	39.0	36.9	12	14.7	17.5	22.1	27.5	38	37.5		9.0
10.0	10.7	13.8	14.9	19	32.5	32.7	30.8	11.5	13.7	16.2	20.7	25.8	36	31.9		10.0
12.0	9.1	12	12.7	16.2	27.5	24.3	22.5	9.9	11.5	14	17.6	22.3	25.2	23.4		12.0
14.0	8	10.8	11.2	14.2	20.2	18.8	17.1	8.8	10	12.5	15.7	19.5	19.7	18.0		14.0
16.0	7.1	9.7	10	12.5	16.3	15.0	13.4	7.9	9	11	13.8	17.3	15.8	14.2		16.0
18.0	6.4	8.8	9	11.3	13.4	12.2	10.6	7.2	8	10	12.5	13.2	13.0	11.4		18.0
20.0	5.9	8	8	10.2	11.3	10.0	8.5	6.6	7.3	9	11.3	11.1	10.8	9.3		20.0
22.0	5.3	7.2	7.3	9.3	9.5	8.3	6.8	6	6.6	8.2	10.2	9.4	9.1	7.6		22.0
24.0	4.9	6.8	6.7	8.5	8.1	6.9	5.4	5.6	6	7.6	8.2	7.9	7.7	6.2		24.0
26.0	4.6	6.3	6.1	7.8	6.9	5.8	4.3	5.2	5.5	6.9	7.0	6.8	6.5	5.0		26.0
28.0	4.2	5.9	5.6	6.2	5.9	4.8	3.3	4.8	5	6.4	6.0	5.8	5.5	4.1		28.0
30.0	3.9	5.5	5.1	5.3	5.0	4.0	2.5	4.5	4.6	5.9	5.1	5.0	4.7	3.2		30.0
32.0	3.6	5.1	4.7	4.6	4.3	3.2	1.7	4.2	4.3	4.9	4.4	4.1	4.0	2.5		32.0
34.0								3.9	3.9	4.2	3.8	3.5	3.3	1.8		34.0
36.0								3.6	3.6	3.6	3.2	3.0	2.7	1.3		36.0
38.0																38.0
40.0																40.0
42.0																42.0
44.0																44.0
46.0																46.0
48.0																48.0
50.0																50.0
52.0																52.0
54.0																54.0
56.0																56.0
58.0																58.0
60.0																60.0
62.0																62.0
64.0																64.0
66.0																66.0
68.0																68.0
70.0																70.0
Reeving	8							6							Reeving	
Hook	90t							55t							Hook	
Telescoping mode	I	1	1	1	1	1	1	2	1	1	1	1	1	1	2	I
	II	1	1	1	1	1	2	2	1	1	1	1	1	2	2	II
	III	1	1	1	1	2	2	2	1	1	1	2	3	2	2	III
	IV	1	1	2	3	2	2	2	1	2	3	3	2	2	2	IV
	V	2	3	3	2	2	2	2	3	3	3	2	2	2	2	V
	VI	3	3	2	2	2	2	1	3	3	2	2	2	2	2	VI
	VII	3	2	2	2	2	1	1	3	2	2	2	2	2	1	VII



Table 8-22 Main boom

Unit: t

Outriggers intermediately extended, with 36 tons counterweight, counterweight front position, over full range																
Working radius (m)	Boom length (m)														Working radius (m)	
	48.7	48.7	48.7	48.7	48.7	48.7	48.7★	53.6	53.6	53.6	53.6	53.6	53.6	53.6		
3.0																3.0
3.5																3.5
4.0																4.0
4.5																4.5
5.0																5.0
6.0																6.0
7.0																7.0
8.0																8.0
9.0																9.0
10.0	12.2	14.7	17.5	22	26.3	27	32.9									10.0
12.0	10.7	12.5	15	19.2	22.8	23.5	24.4	11	13.2	15.8	20.5	21.5	25	23.9		12.0
14.0	9.6	11.2	13.3	17	20	21	18.9	10	12	14.3	18.6	19.3	18.7	18.3		14.0
16.0	8.7	10	12	15.1	17.6	15.5	15.0	9.2	10.9	13	16.8	17	14.9	14.5		16.0
18.0	7.7	9	11	13.7	13.0	12.7	12.2	8.3	9.7	11.8	13.1	12.7	12.1	11.6		18.0
20.0	6.9	8.1	10	12.5	10.7	10.4	10.0	7.6	8.9	10.8	10.9	10.4	9.8	9.5		20.0
22.0	6.3	7.3	9.1	9.5	9.0	8.7	8.3	7	8.2	10	9.2	8.7	8.1	7.7		22.0
24.0	5.8	6.8	8.5	8.0	7.6	7.3	6.9	6.4	7.5	9.3	7.7	7.3	6.7	6.3		24.0
26.0	5.3	6.3	7.9	6.8	6.4	6.1	5.8	5.9	6.9	7.1	6.6	6.1	5.6	5.1		26.0
28.0	4.8	5.8	6.2	5.9	5.4	5.2	4.8	5.4	6.4	6.1	5.6	5.1	4.6	4.2		28.0
30.0	4.4	5.3	5.4	5.0	4.6	4.3	4.0	5	5.9	5.3	4.7	4.3	3.7	3.3		30.0
32.0	4.1	4.9	4.7	4.3	3.9	3.6	3.2	4.6	5.5	4.5	4.0	3.6	3.0	2.6		32.0
34.0	3.8	4.6	4.1	3.6	3.2	3.0	2.6	4.3	4.3	3.9	3.3	3.0	2.3	2.0		34.0
36.0	3.5	4.3	3.4	3.1	2.6	2.4	2.0	4	3.8	3.3	2.8	2.3	1.7	1.4		36.0
38.0	3.2	3.5	3.0	2.6	2.0	1.8	1.4	3.7	3.2	2.8	2.1	1.8	1.3			38.0
40.0	3	3.0	2.5	2.0	1.6	1.4		3.4	2.8	2.3	1.7	1.4				40.0
42.0								3.3	2.4	1.9	1.4					42.0
44.0								2.6	2.0	1.5						44.0
46.0																46.0
48.0																48.0
50.0																50.0
52.0																52.0
54.0																54.0
56.0																56.0
58.0																58.0
60.0																60.0
62.0																62.0
64.0																64.0
66.0																66.0
68.0																68.0
70.0																70.0
Reeving	5							4							Reeving	
Hook	55t														Hook	
Telescoping mode	I	1	1	1	1	1	1	2	1	1	1	1	1	2	3	I
	II	1	1	1	1	2	3	2	1	1	1	2	3	3	2	II
	III	1	1	2	3	3	2	2	1	2	3	3	3	2	2	III
	IV	2	3	3	3	2	2	2	3	3	3	3	2	2	2	IV
	V	3	3	3	2	2	2	2	3	3	3	2	2	2	2	V
	VI	3	3	2	2	2	2	2	3	3	2	2	2	2	2	VI
	VII	3	2	2	2	2	2	2	2	3	2	2	2	2	2	VII

Table 8-22 Main boom

Unit: t

Outriggers intermediately extended, with 36 tons counterweight, counterweight front position, over full range																	
Working radius (m)	Boom length (m)														Working radius (m)		
	58.5	58.5	58.5	58.5	58.5	58.5★					63.4	63.4	63.4	63.4		63.4★	
3.0																3.0	
3.5																3.5	
4.0																4.0	
4.5																4.5	
5.0																5.0	
6.0																6.0	
7.0																7.0	
8.0																8.0	
9.0																9.0	
10.0																10.0	
12.0																12.0	
14.0	10.5	12.6	15.2	18	20.5	18.3				10.7	13.5	15.8	18	19	14.0		
16.0	9.6	11.5	14.3	16.6	15.0	14.4				10.1	12.5	15.1	15.3	14.6	16.0		
18.0	9	10.5	13	13.0	12.2	11.5				9.3	11.5	13.9	12.4	11.7	18.0		
20.0	8.2	9.6	12.1	10.7	9.9	9.4				8.7	10.5	11.1	10.2	9.5	20.0		
22.0	7.6	8.9	9.5	8.9	8.2	7.7				8.1	9.7	9.3	8.4	7.7	22.0		
24.0	7	8.2	8.0	7.5	6.8	6.2				7.5	9	7.8	6.9	6.3	24.0		
26.0	6.4	7.6	6.8	6.3	5.6	5.0				7	7.2	6.6	5.8	5.1	26.0		
28.0	5.9	7	5.9	5.3	4.6	4.1				6.5	6.2	5.6	4.8	4.1	28.0		
30.0	5.5	5.7	5.0	4.5	3.8	3.2				6	5.3	4.8	4.0	3.3	30.0		
32.0	5.1	4.9	4.2	3.7	3.1	2.5				5.7	4.6	4.0	3.2	2.6	32.0		
34.0	4.8	4.2	3.6	3.1	2.4	1.8				4.6	4.0	3.3	2.6	1.9	34.0		
36.0	4.5	3.7	3.1	2.5	1.7	1.3				4.1	3.3	2.8	1.9	1.4	36.0		
38.0	3.7	3.2	2.5	2.0	1.3					3.5	2.9	2.1	1.4		38.0		
40.0	3.2	2.7	2.0	1.5						3.1	2.4	1.7			40.0		
42.0	2.8	2.1	1.5	1.1						2.6	1.9	1.4			42.0		
44.0	2.4	1.8	1.2							2.1	1.5				44.0		
46.0	2.0	1.4								1.9	1.2				46.0		
48.0	1.7	1.2								1.5					48.0		
50.0	1.4									1.3					50.0		
52.0															52.0		
54.0															54.0		
56.0															56.0		
58.0															58.0		
60.0															60.0		
62.0															62.0		
64.0															64.0		
66.0															66.0		
68.0															68.0		
70.0															70.0		
Reeving	4										3					Reeving	
Hook	55t										25t					Hook	
Telescoping mode	I	1	1	1	1	2	3				1	1	1	2	3	I	Telescoping mode
	II	1	1	2	3	3	3				1	2	3	3	3	II	
	III	2	3	3	3	3	2				3	3	3	3	3	III	
	IV	3	3	3	3	2	2				3	3	3	3	2	IV	
	V	3	3	3	2	2	2				3	3	3	2	2	V	
	VI	3	3	2	2	2	2				3	3	2	2	2	VI	
	VII	3	2	2	2	2	2				3	2	2	2	2	VII	

Table 8-22 Main boom

Unit: t

Outriggers intermediately extended, with 36 tons counterweight, counterweight front position, over full range																
Working radius (m)	Boom length (m)														Working radius (m)	
	68.3	68.3	68.3	68.3★		73.2	73.2	73.2★		78.1	78.1★	83★	86.2★	88★		
6.0															6.0	
7.0															7.0	
8.0															8.0	
9.0															9.0	
10.0															10.0	
12.0															12.0	
14.0															14.0	
16.0	10.5	13	14.5	15.5											16.0	
18.0	9.9	12.2	14	12.0		10	10.8	11.5							18.0	
20.0	9.3	11.3	10.5	9.7		9.7	10.5	11.2		8.2	9				20.0	
22.0	8.7	10.6	8.7	8.0		9.2	10.1	8.4		8	8.7	7.1			22.0	
24.0	8.2	8.2	7.3	6.6		8.7	7.7	6.9		7.8	7.4	7	6	5.7	24.0	
26.0	7.6	7.0	6.1	5.4		8.2	6.6	5.8		7.6	6.2	6.8	5.8	5.6	26.0	
28.0	7	5.9	5.1	4.4		6.4	5.5	4.7		6.0	5.1	5.6	5.7	5.5	28.0	
30.0	5.8	5.1	4.2	3.5		5.6	4.7	3.9		5.1	4.2	4.7	4.9	4.8	30.0	
32.0	5.0	4.3	3.5	2.8		4.8	3.9	3.2		4.3	3.5	4.0	4.1	4.1	32.0	
34.0	4.3	3.7	2.9	2.0		4.1	3.2	2.4		3.7	2.9	3.2	3.4	3.3	34.0	
36.0	3.8	3.2	2.3	1.5		3.5	2.6	1.8		3.1	2.1	2.7	2.8	2.7	36.0	
38.0	3.2	2.6	1.7			3.0	2.0	1.4		2.5	1.6	2.0	2.3	2.1	38.0	
40.0	2.8	2.0	1.3			2.5	1.6			2.0	1.2	1.6	1.7	1.6	40.0	
42.0	2.3	1.6				2.0	1.2			1.5		1.2	1.4	1.3	42.0	
44.0	1.9	1.3				1.6				1.2					44.0	
46.0	1.5					1.4									46.0	
48.0	1.3														48.0	
50.0															50.0	
52.0															52.0	
54.0															54.0	
56.0															56.0	
58.0															58.0	
60.0															60.0	
62.0															62.0	
64.0															64.0	
66.0															66.0	
68.0															68.0	
70.0															70.0	
72.0															72.0	
74.0															74.0	
Reeving	3					3					2		2	2	2	Reeving
Hook	25t														Hook	
Telescoping mode	I	1	1	2	3		1	2	3		2	3	3	3	4	I
	II	2	3	3	3		3	3	3		3	3	3	3	4	II
	III	3	3	3	3		3	3	3		3	3	3	4	4	III
	IV	3	3	3	3		3	3	3		3	3	3	4	4	IV
	V	3	3	3	2		3	3	3		3	3	3	4	4	V
	VI	3	3	2	2		3	3	2		3	3	3	4	4	VI
	VII	3	2	2	2		3	2	2		3	2	3	4	4	VII

Table 8-23 Main boom

Unit: t

Outriggers intermediately extended, with 27 tons counterweight, counterweight front position, over full range																
Working radius (m)	Boom length (m)														Working radius (m)	
	14.4★	19.3	19.3	19.3	19.3	19.3	19.3★	24.2	24.2	24.2	24.2	24.2	24.2	24.2★		
3.0	113	48.5	55	72	75	95	110								3.0	
3.5	105	46	55	72	75	95	104	23	46	62	70	75	90	90	3.5	
4.0	90	43.5	55	72	75	90	90	22	44	58	67	72	84	84	4.0	
4.5	84	41.7	55	72	75	84	84	21	41	55	64	70	79	80	4.5	
5.0	76	39.5	55	70	75	76	76	20	39	52	60	67	73	76	5.0	
6.0	62.0	36.5	49	63	64.0	63.0	62.5	17.5	34	45	53	60	61	59.8	6.0	
7.0	46.5	33.5	44.5	48.9	48.2	47.3	46.4	16	31	41	47	48.4	47.0	45.0	7.0	
8.0	36.2	31.5	40.5	38.3	37.6	36.9	36.0	14.8	28.5	38	39.1	37.9	36.5	34.7	8.0	
9.0	29.1	29.5	31.6	31.1	30.5	29.7	29.0	13.7	26.2	35	31.8	30.7	29.5	27.8	9.0	
10.0	23.9	27.5	26.4	25.8	25.3	24.6	23.9	12.8	24.5	27.4	26.5	25.5	24.3	22.7	10.0	
12.0		19.6	19.3	18.7	18.2	17.6	16.8	10.9	20.5	20.2	19.4	18.5	17.4	15.8	12.0	
14.0		14.9	14.6	14.1	13.6	13.1	12.3	10	16.2	15.5	14.8	13.9	12.9	11.3	14.0	
16.0								9	12.9	12.2	11.5	10.6	9.6	8.3	16.0	
18.0								8.2	10.4	9.8	9.1	8.3	7.3	5.9	18.0	
20.0															20.0	
22.0															22.0	
24.0															24.0	
26.0															26.0	
28.0															28.0	
30.0															30.0	
32.0															32.0	
34.0															34.0	
36.0															36.0	
38.0															38.0	
40.0															40.0	
42.0															42.0	
44.0															44.0	
46.0															46.0	
48.0															48.0	
50.0															50.0	
52.0															52.0	
54.0															54.0	
56.0															56.0	
58.0															58.0	
60.0															60.0	
62.0															62.0	
64.0															64.0	
66.0															66.0	
68.0															68.0	
70.0															70.0	
Reeving	14	13						13						Reeving		
Hook	110t														Hook	
Telescoping mode	I	1	1	1	1	1	1	1	1	1	1	1	1	1	2	I
	II	1	1	1	1	1	1	2	1	1	1	1	1	2	2	II
	III	1	1	1	1	1	2	1	1	1	1	1	2	2	1	III
	IV	1	1	1	1	2	1	1	1	1	1	2	2	1	1	IV
	V	1	1	1	2	1	1	1	1	1	2	2	1	1	1	V
	VI	1	1	2	1	1	1	1	1	2	2	1	1	1	1	VI
	VII	1	2	1	1	1	1	1	3	2	1	1	1	1	1	VII

Table 8-23 Main boom

Unit: t

Outriggers intermediately extended, with 27 tons counterweight, counterweight front position, over full range																
Working radius (m)	Boom length (m)														Working radius (m)	
	29.1	29.1	29.1	29.1	29.1	29.1	29.1★	34	34	34	34	34	34	34★		
3.0															3.0	
3.5															3.5	
4.0															4.0	
4.5	22	19	45	53	68	80	80								4.5	
5.0	21	18.2	43	51.5	65	78	78								5.0	
6.0	19.3	16.2	38	45.5	60	61.1	58.7	13.5	17.5	27	40.5	50	65	58.1	6.0	
7.0	18.2	14.5	35	41	49.1	47.5	45.3	12.2	16.1	25	37	46	47.4	45.2	7.0	
8.0	17	13.1	32	37.5	39.1	37.5	35.5	11.2	14.8	23	34	42	38.5	36.5	8.0	
9.0	15.7	12.1	30	34.5	31.8	30.3	28.4	10.3	13.7	21	31.5	32.9	31.3	29.3	9.0	
10.0	14.7	11.2	27.6	27.7	26.5	25.1	23.3	9.6	12.5	19.6	29	27.5	26.1	24.2	10.0	
12.0	12.7	9.6	21.3	20.4	19.4	18.1	16.4	8	10.8	16.8	21.5	20.3	18.9	17.2	12.0	
14.0	11.4	8.3	16.7	15.8	14.7	13.5	12.0	7.1	9.6	14.9	16.7	15.6	14.3	12.7	14.0	
16.0	10.5	7.4	13.3	12.5	11.5	10.4	8.8	6.3	8.5	13	13.4	12.3	11.1	9.5	16.0	
18.0	9.6	6.6	10.9	10.1	9.1	8.0	6.5	5.7	7.7	11.8	11.0	9.9	8.7	7.2	18.0	
20.0	8.8	6	9.0	8.2	7.3	6.2	4.7	5.1	7.1	9.4	9.1	8.0	6.9	5.4	20.0	
22.0	8.1	5.4	7.5	6.8	5.8	4.8	3.3	4.6	6.4	7.8	7.6	6.6	5.5	4.0	22.0	
24.0								4.2	5.9	6.6	6.4	5.4	4.3	2.8	24.0	
26.0								3.8	5.4	5.6	5.3	4.4	3.3	1.8	26.0	
28.0															28.0	
30.0															30.0	
32.0															32.0	
34.0															34.0	
36.0															36.0	
38.0															38.0	
40.0															40.0	
42.0															42.0	
44.0															44.0	
46.0															46.0	
48.0															48.0	
50.0															50.0	
52.0															52.0	
54.0															54.0	
56.0															56.0	
58.0															58.0	
60.0															60.0	
62.0															62.0	
64.0															64.0	
66.0															66.0	
68.0															68.0	
70.0															70.0	
Reeving	11							9							Reeving	
Hook	90t														Hook	
Telescoping mode	I	1	1	1	1	1	1	2	1	1	1	1	1	1	2	I
	II	1	1	1	1	1	2	2	1	1	1	1	1	2	2	II
	III	1	1	1	1	2	2	2	1	1	1	1	2	2	2	III
	IV	1	1	1	2	2	2	1	1	1	1	2	2	2	2	IV
	V	1	1	2	2	2	1	1	1	2	3	2	2	2	1	V
	VI	2	3	2	2	1	1	1	3	3	2	2	2	1	1	VI
	VII	3	2	2	1	1	1	1	3	2	2	2	2	1	1	VII

Table 8-23 Main boom

Unit: t

Outriggers intermediately extended, with 27 tons counterweight, counterweight front position, over full range																
Working radius (m)	Boom length (m)														Working radius (m)	
	38.9	38.9	38.9	38.9	38.9	38.9	38.9★	43.8	43.8	43.8	43.8	43.8	43.8	43.8★		
3.0																3.0
3.5																3.5
4.0																4.0
4.5																4.5
5.0																5.0
6.0																6.0
7.0	13.4	17.3	19	24	40	51	45.3									7.0
8.0	12.3	16.1	17.5	22.3	37.2	38.9	36.7									8.0
9.0	11.5	14.9	16.1	20.6	34.5	32.4	30.4	12	14.7	17.5	22.1	27.5	33.1	31.1		9.0
10.0	10.7	13.8	14.9	19	28.6	27.1	25.2	11.5	13.7	16.2	20.7	25.8	28.1	26.2		10.0
12.0	9.1	12	12.7	16.2	21.2	19.8	18.1	9.9	11.5	14	17.6	22.3	20.8	19.0		12.0
14.0	8	10.8	11.2	14.2	16.5	15.1	13.5	8.8	10	12.5	15.7	16.4	16.0	14.3		14.0
16.0	7.1	9.7	10	12.5	13.1	11.9	10.3	7.9	9	11	13.8	13.1	12.7	11.1		16.0
18.0	6.4	8.8	9	11.3	10.7	9.5	7.9	7.2	8	10	10.8	10.5	10.3	8.7		18.0
20.0	5.9	8	8	10.2	8.8	7.7	6.1	6.6	7.3	9	8.9	8.7	8.4	6.8		20.0
22.0	5.3	7.2	7.3	7.7	7.4	6.2	4.7	6	6.6	8.2	7.5	7.2	6.9	5.4		22.0
24.0	4.9	6.8	6.7	6.4	6.1	5.0	3.5	5.6	6	6.7	6.2	5.9	5.7	4.2		24.0
26.0	4.6	6.3	6.1	5.4	5.1	4.0	2.5	5.2	5.5	5.7	5.2	5.0	4.7	3.2		26.0
28.0	4.2	5.2	4.8	4.6	4.3	3.2	1.6	4.8	5	4.8	4.3	4.1	3.9	2.4		28.0
30.0	3.9	4.4	4.1	3.8	3.6	2.4		4.5	4.6	4.1	3.6	3.4	3.2	1.6		30.0
32.0	3.6	3.8	3.4	3.2	3.0	1.8		4.2	3.8	3.4	3.0	2.8	2.5	1.1		32.0
34.0								3.9	3.2	2.9	2.4	2.1	1.9			34.0
36.0								3.6	2.7	2.4	1.9	1.7	1.4			36.0
38.0																38.0
40.0																40.0
42.0																42.0
44.0																44.0
46.0																46.0
48.0																48.0
50.0																50.0
52.0																52.0
54.0																54.0
56.0																56.0
58.0																58.0
60.0																60.0
62.0																62.0
64.0																64.0
66.0																66.0
68.0																68.0
70.0																70.0
Reeving	8							6							Reeving	
Hook	90t							55t							Hook	
Telescoping mode	I	1	1	1	1	1	1	2	1	1	1	1	1	1	2	I
	II	1	1	1	1	1	2	2	1	1	1	1	1	2	2	II
	III	1	1	1	1	2	2	2	1	1	1	2	3	2	2	III
	IV	1	1	2	3	2	2	2	1	2	3	3	2	2	2	IV
	V	2	3	3	2	2	2	2	3	3	3	2	2	2	2	V
	VI	3	3	2	2	2	2	1	3	3	2	2	2	2	2	VI
	VII	3	2	2	2	2	1	1	3	2	2	2	2	2	1	VII

Table 8-23 Main boom

Unit: t

Outriggers intermediately extended, with 27 tons counterweight, counterweight front position, over full range																
Working radius (m)	Boom length (m)															Working radius (m)
	48.7	48.7	48.7	48.7	48.7	48.7	48.7★	53.6	53.6	53.6	53.6	53.6	53.6	53.6	53.6	
3.0																3.0
3.5																3.5
4.0																4.0
4.5																4.5
5.0																5.0
6.0																6.0
7.0																7.0
8.0																8.0
9.0																9.0
10.0	12.2	14.7	17.5	22	26.3	27	27.1									10.0
12.0	10.7	12.5	15	19.2	22.8	20.4	19.9	11	13.2	15.8	20.5	21.5	19.8	19.4		12.0
14.0	9.6	11.2	13.3	17	16.0	15.8	15.2	10	12	14.3	16.3	15.8	15.0	14.6		14.0
16.0	8.7	10	12	13.2	12.7	12.4	11.9	9.2	10.9	13	12.9	12.4	11.7	11.3		16.0
18.0	7.7	9	11	10.7	10.2	9.9	9.5	8.3	9.7	11.8	10.4	10.0	9.3	8.9		18.0
20.0	6.9	8.1	10	8.8	8.3	8.1	7.7	7.6	8.9	9.1	8.5	8.1	7.5	7.0		20.0
22.0	6.3	7.3	7.7	7.3	6.8	6.6	6.1	7	8.2	7.6	7.0	6.6	5.9	5.6		22.0
24.0	5.8	6.8	6.5	6.1	5.6	5.4	5.0	6.4	7.5	6.4	5.8	5.3	4.8	4.4		24.0
26.0	5.3	6.3	5.5	5.0	4.6	4.4	4.0	5.9	5.9	5.3	4.8	4.3	3.8	3.4		26.0
28.0	4.8	5.1	4.6	4.2	3.8	3.5	3.2	5.4	5.0	4.5	3.9	3.5	2.9	2.5		28.0
30.0	4.4	4.4	3.9	3.5	3.1	2.8	2.4	5	4.2	3.8	3.2	2.8	2.1	1.8		30.0
32.0	4.1	3.8	3.2	2.9	2.4	2.1	1.7	4.6	3.6	3.2	2.5	2.0	1.5	1.2		32.0
34.0	3.8	3.2	2.7	2.3	1.8	1.5	1.2	3.6	3.1	2.5	1.9	1.5				34.0
36.0	3.5	2.7	2.1	1.7	1.4	1.1		3.2	2.5	2.0	1.4	1.1				36.0
38.0	2.7	2.1	1.7	1.4				2.7	2.0	1.5						38.0
40.0	2.3	1.8	1.3					2.3	1.6	1.2						40.0
42.0								1.9	1.3							42.0
44.0								1.5								44.0
46.0																46.0
48.0																48.0
50.0																50.0
52.0																52.0
54.0																54.0
56.0																56.0
58.0																58.0
60.0																60.0
62.0																62.0
64.0																64.0
66.0																66.0
68.0																68.0
70.0																70.0
Reeving	5							4							Reeving	
Hook	55t															Hook
Telescoping mode	I	1	1	1	1	1	1	2	1	1	1	1	1	2	3	I
	II	1	1	1	1	2	3	2	1	1	1	2	3	3	2	II
	III	1	1	2	3	3	2	2	1	2	3	3	3	2	2	III
	IV	2	3	3	3	2	2	2	3	3	3	3	2	2	2	IV
	V	3	3	3	2	2	2	2	3	3	3	2	2	2	2	V
	VI	3	3	2	2	2	2	2	3	3	2	2	2	2	2	VI
	VII	3	2	2	2	2	2	2	2	3	2	2	2	2	2	VII

Table 8-23 Main boom

Unit: t

Outriggers intermediately extended, with 27 tons counterweight, counterweight front position, over full range																
Working radius (m)	Boom length (m)														Working radius (m)	
	58.5	58.5	58.5	58.5	58.5	58.5★					63.4	63.4	63.4	63.4		63.4★
3.0																3.0
3.5																3.5
4.0																4.0
4.5																4.5
5.0																5.0
6.0																6.0
7.0																7.0
8.0																8.0
9.0																9.0
10.0																10.0
12.0																12.0
14.0	10.5	12.6	15.2	16.0	15.1	14.5				10.7	13.5	15.8	15.5	14.8		14.0
16.0	9.6	11.5	14.3	12.7	11.8	11.3				10.1	12.5	13.1	12.2	11.3		16.0
18.0	9	10.5	10.7	10.2	9.4	8.8				9.3	11.5	10.5	9.6	8.9		18.0
20.0	8.2	9.6	8.8	8.3	7.5	6.9				8.7	9.3	8.6	7.7	7.0		20.0
22.0	7.6	8.9	7.3	6.8	6.0	5.5				8.1	7.7	7.0	6.2	5.5		22.0
24.0	7	6.8	6.0	5.5	4.8	4.2				7.5	6.5	5.9	5.0	4.3		24.0
26.0	6.4	5.7	5.0	4.5	3.8	3.2				6.1	5.4	4.8	4.0	3.3		26.0
28.0	5.9	4.9	4.1	3.7	3.0	2.4				5.2	4.5	4.0	3.2	2.5		28.0
30.0	4.7	4.1	3.4	3.0	2.1	1.6				4.5	3.8	3.2	2.4	1.7		30.0
32.0	4.0	3.4	2.8	2.3	1.5					3.9	3.2	2.5	1.7	1.1		32.0
34.0	3.4	2.9	2.1	1.7						3.2	2.6	1.9	1.2			34.0
36.0	3.0	2.4	1.7	1.2						2.8	2.0	1.4				36.0
38.0	2.5	1.9	1.3							2.3	1.5					38.0
40.0	2.0	1.4								1.8	1.2					40.0
42.0	1.6	1.2								1.5						42.0
44.0	1.4									1.2						44.0
46.0	1.1															46.0
48.0																48.0
50.0																50.0
52.0																52.0
54.0																54.0
56.0																56.0
58.0																58.0
60.0																60.0
62.0																62.0
64.0																64.0
66.0																66.0
68.0																68.0
70.0																70.0
Reeving	4										3					Reeving
Hook	55t										25t					Hook
Telescoping mode	I	1	1	1	1	2	3			1	1	1	2	3	I	Telescoping mode
	II	1	1	2	3	3	3			1	2	3	3	3	II	
	III	2	3	3	3	3	2			3	3	3	3	3	III	
	IV	3	3	3	3	2	2			3	3	3	3	2	IV	
	V	3	3	3	2	2	2			3	3	3	2	2	V	
	VI	3	3	2	2	2	2			3	3	2	2	2	VI	
	VII	3	2	2	2	2	2			3	2	2	2	2	VII	



Table 8-23 Main boom

Unit: t

Outriggers intermediately extended, with 27 tons counterweight, counterweight front position, over full range																
Working radius (m)	Boom length (m)														Working radius (m)	
	68.3	68.3	68.3	68.3★		73.2	73.2	73.2★		78.1	78.1★	83★	86.2★	88★		
6.0															6.0	
7.0															7.0	
8.0															8.0	
9.0															9.0	
10.0															10.0	
12.0															12.0	
14.0															14.0	
16.0	10.5	13	12.6	11.7											16.0	
18.0	9.9	12.2	10.1	9.2		10	10.8	9.6							18.0	
20.0	9.3	9.0	8.1	7.3		9.7	8.6	7.7		8.2	9				20.0	
22.0	8.7	7.5	6.6	5.8		8.0	7.0	6.1		8	6.6	7.1			22.0	
24.0	6.9	6.2	5.3	4.6		6.7	5.8	5.0		6.2	5.3	5.9	6	5.7	24.0	
26.0	5.9	5.1	4.3	3.6		5.6	4.7	3.9		5.1	4.3	4.8	5.0	4.9	26.0	
28.0	5.0	4.3	3.4	2.7		4.7	3.8	3.1		4.2	3.4	3.9	4.1	4.0	28.0	
30.0	4.2	3.5	2.7	1.9		4.0	3.1	2.1		3.5	2.7	3.2	3.2	3.2	30.0	
32.0	3.5	2.9	2.0	1.3		3.3	2.4	1.5		2.9	2.0	2.4	2.6	2.5	32.0	
34.0	3.0	2.3	1.4			2.7	1.8			2.1	1.4	1.8	1.9	1.8	34.0	
36.0	2.4	1.8				2.1	1.3			1.7		1.3	1.4	1.4	36.0	
38.0	2.0	1.4				1.7				1.3					38.0	
40.0	1.5					1.3									40.0	
42.0	1.2														42.0	
44.0															44.0	
46.0															46.0	
48.0															48.0	
50.0															50.0	
52.0															52.0	
54.0															54.0	
56.0															56.0	
58.0															58.0	
60.0															60.0	
62.0															62.0	
64.0															64.0	
66.0															66.0	
68.0															68.0	
70.0															70.0	
72.0															72.0	
74.0															74.0	
Reeving	3					3					2		2	2	2	Reeving
Hook	25t														Hook	
Telescoping mode	I	1	1	2	3		1	2	3		2	3	3	3	4	I
	II	2	3	3	3		3	3	3		3	3	3	3	4	II
	III	3	3	3	3		3	3	3		3	3	3	4	4	III
	IV	3	3	3	3		3	3	3		3	3	3	4	4	IV
	V	3	3	3	2		3	3	3		3	3	3	4	4	V
	VI	3	3	2	2		3	3	2		3	3	3	4	4	VI
	VII	3	2	2	2		3	2	2		3	2	3	4	4	VII

Table 8-24 Main boom

Unit: t

Outriggers intermediately extended, with 18 tons counterweight, counterweight front position, over full range																
Working radius (m)	Boom length (m)														Working radius (m)	
	14.4★	19.3	19.3	19.3	19.3	19.3	19.3★	24.2	24.2	24.2	24.2	24.2	24.2	24.2★		
3.0	110	48.5	55	72	75	95	110								3.0	
3.5	101	46	55	72	75	95	100	23	46	62	70	75	90	90	3.5	
4.0	87	43.5	55	72	75	87	87	22	44	58	67	72	84	85	4.0	
4.5	80	41.7	55	72	75	80	80	21	41	55	64	70	79	80	4.5	
5.0	71.0	39.5	55	70	73	72.0	71.0	20	39	52	60	67	73	67.1	5.0	
6.0	50.5	36.5	49	53.5	52.7	51.7	50.6	17.5	34	45	53	51.5	50.0	47.7	6.0	
7.0	37.0	33.5	40.0	39.3	38.7	37.8	36.8	16	31	41	40.1	38.9	37.4	35.5	7.0	
8.0	28.4	31.5	31.1	30.6	30.0	29.2	28.3	14.8	28.5	32.3	31.3	30.2	28.9	27.0	8.0	
9.0	22.6	25.6	25.1	24.6	24.0	23.2	22.4	13.7	26.2	26.2	25.3	24.2	23.0	21.2	9.0	
10.0	18.4	21.2	20.8	20.3	19.7	19.0	18.2	12.8	24.5	21.8	20.9	19.9	18.7	17.1	10.0	
12.0		15.2	14.9	14.3	13.8	13.1	12.4	10.9	16.5	15.8	14.9	14.0	13.0	11.4	12.0	
14.0		11.3	11.0	10.5	10.0	9.4	8.7	10	12.5	11.9	11.2	10.3	9.2	7.7	14.0	
16.0								9	9.8	9.2	8.5	7.6	6.6	5.2	16.0	
18.0								8.2	7.7	7.1	6.4	5.6	4.7	3.2	18.0	
20.0															20.0	
22.0															22.0	
24.0															24.0	
26.0															26.0	
28.0															28.0	
30.0															30.0	
32.0															32.0	
34.0															34.0	
36.0															36.0	
38.0															38.0	
40.0															40.0	
42.0															42.0	
44.0															44.0	
46.0															46.0	
48.0															48.0	
50.0															50.0	
52.0															52.0	
54.0															54.0	
56.0															56.0	
58.0															58.0	
60.0															60.0	
62.0															62.0	
64.0															64.0	
66.0															66.0	
68.0															68.0	
70.0															70.0	
Reeving	14	13						13						Reeving		
Hook	110t														Hook	
Telescoping mode	I	1	1	1	1	1	1	1	1	1	1	1	1	1	2	I
	II	1	1	1	1	1	1	2	1	1	1	1	1	2	2	II
	III	1	1	1	1	1	2	1	1	1	1	1	2	2	1	III
	IV	1	1	1	1	2	1	1	1	1	1	2	2	1	1	IV
	V	1	1	1	2	1	1	1	1	1	2	2	1	1	1	V
	VI	1	1	2	1	1	1	1	1	2	2	1	1	1	1	VI
	VII	1	2	1	1	1	1	1	3	2	1	1	1	1	1	VII

Table 8-24 Main boom

Unit: t

Outriggers intermediately extended, with 18 tons counterweight, counterweight front position, over full range																
Working radius (m)	Boom length (m)														Working radius (m)	
	29.1	29.1	29.1	29.1	29.1	29.1	29.1★	34	34	34	34	34	34	34★		
3.0															3.0	
3.5															3.5	
4.0															4.0	
4.5	22	19	45	53	68	80	80								4.5	
5.0	21	18.2	43	51.5	65	68.1	65.3								5.0	
6.0	19.3	16.2	38	45.5	51.2	49.4	47.0	13.5	17.5	27	40.5	50	49.1	46.7	6.0	
7.0	18.2	14.5	35	41	39.7	38.1	35.8	12.2	16.1	25	37	40.1	38.3	36.0	7.0	
8.0	17	13.1	32	32.7	31.3	29.8	27.7	11.2	14.8	23	34	32.5	30.8	28.7	8.0	
9.0	15.7	12.1	30	26.6	25.3	23.9	22.0	10.3	13.7	21	27.7	26.4	24.8	22.9	9.0	
10.0	14.7	11.2	23.0	22.1	20.9	19.5	17.7	9.6	12.5	19.6	23.2	21.9	20.4	18.5	10.0	
12.0	12.7	9.6	16.9	16.0	14.9	13.7	12.1	8	10.8	16.8	17.0	15.8	14.5	12.8	12.0	
14.0	11.4	8.3	13.1	12.2	11.1	9.9	8.3	7.1	9.6	14.9	13.1	12.0	10.7	9.1	14.0	
16.0	10.5	7.4	10.3	9.4	8.4	7.3	5.8	6.3	8.5	10.6	10.4	9.3	8.0	6.5	16.0	
18.0	9.6	6.6	8.2	7.4	6.4	5.3	3.9	5.7	7.7	8.6	8.3	7.2	6.0	4.5	18.0	
20.0	7.1	6	6.7	5.9	4.9	3.8	2.3	5.1	7.1	6.9	6.7	5.7	4.6	3.1	20.0	
22.0	5.9	5.4	5.4	4.6	3.7	2.6	1.1	4.6	6.4	5.7	5.4	4.5	3.3	1.8	22.0	
24.0								4.2	5.0	4.7	4.4	3.5	2.3		24.0	
26.0								3.8	4.1	3.9	3.6	2.6	1.4		26.0	
28.0															28.0	
30.0															30.0	
32.0															32.0	
34.0															34.0	
36.0															36.0	
38.0															38.0	
40.0															40.0	
42.0															42.0	
44.0															44.0	
46.0															46.0	
48.0															48.0	
50.0															50.0	
52.0															52.0	
54.0															54.0	
56.0															56.0	
58.0															58.0	
60.0															60.0	
62.0															62.0	
64.0															64.0	
66.0															66.0	
68.0															68.0	
70.0															70.0	
Reeving	11							9							Reeving	
Hook	90t														Hook	
Telescoping mode	I	1	1	1	1	1	1	2	1	1	1	1	1	1	2	I
	II	1	1	1	1	1	2	2	1	1	1	1	1	2	2	II
	III	1	1	1	1	2	2	2	1	1	1	1	2	2	2	III
	IV	1	1	1	2	2	2	1	1	1	1	2	2	2	2	IV
	V	1	1	2	2	2	1	1	1	2	3	2	2	2	1	V
	VI	2	3	2	2	1	1	1	3	3	2	2	2	1	1	VI
	VII	3	2	2	1	1	1	1	3	2	2	2	2	1	1	VII

Table 8-24 Main boom

Unit: t

Outriggers intermediately extended, with 18 tons counterweight, counterweight front position, over full range																
Working radius (m)	Boom length (m)														Working radius (m)	
	38.9	38.9	38.9	38.9	38.9	38.9	38.9★	43.8	43.8	43.8	43.8	43.8	43.8	43.8★		
3.0																3.0
3.5																3.5
4.0																4.0
4.5																4.5
5.0																5.0
6.0																6.0
7.0	13.4	17.3	19	24	40	38.5	36.3									7.0
8.0	12.3	16.1	17.5	22.3	32.9	31.2	29.2									8.0
9.0	11.5	14.9	16.1	20.6	27.5	25.8	23.9	12	14.7	17.5	22.1	27.5	26.6	24.6		9.0
10.0	10.7	13.8	14.9	19	23.0	21.4	19.5	11.5	13.7	16.2	20.7	22.9	22.4	20.5		10.0
12.0	9.1	12	12.7	16.2	16.8	15.4	13.7	9.9	11.5	14	17.6	16.7	16.3	14.6		12.0
14.0	8	10.8	11.2	14.2	12.8	11.5	9.8	8.8	10	12.5	13.0	12.7	12.3	10.7		14.0
16.0	7.1	9.7	10	10.4	10.1	8.8	7.2	7.9	9	11	10.2	9.9	9.6	8.0		16.0
18.0	6.4	8.8	9	8.4	8.0	6.8	5.2	7.2	8	8.6	8.1	7.8	7.6	6.0		18.0
20.0	5.9	8	7.0	6.8	6.5	5.3	3.8	6.6	7.3	7.0	6.6	6.3	6.0	4.5		20.0
22.0	5.3	6.1	5.8	5.5	5.2	4.1	2.5	6	6.6	5.8	5.3	5.0	4.8	3.3		22.0
24.0	4.9	5.1	4.7	4.5	4.2	3.1	1.5	5.6	5.1	4.8	4.3	4.1	3.8	2.3		24.0
26.0	4.6	4.2	3.9	3.6	3.3	2.1		5.2	4.2	3.9	3.4	3.2	3.0	1.4		26.0
28.0	4.2	3.5	3.2	2.9	2.7	1.4		4.1	3.5	3.2	2.7	2.5	2.1			28.0
30.0	3.3	3.0	2.5	2.3	2.0			3.4	2.9	2.5	2.0	1.8	1.5			30.0
32.0	2.8	2.4	1.9	1.7	1.4			2.9	2.3	1.9	1.5	1.3	1.1			32.0
34.0								2.4	1.8	1.4	1.1					34.0
36.0								1.9	1.4	1.1						36.0
38.0																38.0
40.0																40.0
42.0																42.0
44.0																44.0
46.0																46.0
48.0																48.0
50.0																50.0
52.0																52.0
54.0																54.0
56.0																56.0
58.0																58.0
60.0																60.0
62.0																62.0
64.0																64.0
66.0																66.0
68.0																68.0
70.0																70.0
Reeving	8							6							Reeving	
Hook	90t							55t							Hook	
Telescoping mode	I	1	1	1	1	1	1	2	1	1	1	1	1	1	2	I
	II	1	1	1	1	1	2	2	1	1	1	1	1	2	2	II
	III	1	1	1	1	2	2	2	1	1	1	2	3	2	2	III
	IV	1	1	2	3	2	2	2	1	2	3	3	2	2	2	IV
	V	2	3	3	2	2	2	2	3	3	3	2	2	2	2	V
	VI	3	3	2	2	2	2	1	3	3	2	2	2	2	2	VI
	VII	3	2	2	2	2	1	1	3	2	2	2	2	2	1	VII

Table 8-24 Main boom

Unit: t

Outriggers intermediately extended, with 18 tons counterweight, counterweight front position, over full range																
Working radius (m)	Boom length (m)														Working radius (m)	
	48.7	48.7	48.7	48.7	48.7	48.7	48.7★	53.6	53.6	53.6	53.6	53.6	53.6	53.6		
3.0																3.0
3.5																3.5
4.0																4.0
4.5																4.5
5.0																5.0
6.0																6.0
7.0																7.0
8.0																8.0
9.0																9.0
10.0	12.2	14.7	17.5	22	22.3	22.0	21.4									10.0
12.0	10.7	12.5	15	16.9	16.3	15.9	15.5	11	13.2	15.8	16.6	16.0	15.3	14.9		12.0
14.0	9.6	11.2	13.3	12.9	12.3	12.1	11.5	10	12	14.3	12.5	12.1	11.3	10.9		14.0
16.0	8.7	10	10.5	10.1	9.5	9.3	8.8	9.2	10.9	10.4	9.7	9.3	8.6	8.2		16.0
18.0	7.7	9	8.5	8.0	7.5	7.2	6.8	8.3	9.7	8.3	7.7	7.2	6.6	6.2		18.0
20.0	6.9	8.1	6.8	6.4	5.9	5.7	5.2	7.6	7.2	6.7	6.1	5.7	5.0	4.7		20.0
22.0	6.3	6.1	5.6	5.1	4.7	4.4	4.1	7	5.9	5.4	4.9	4.4	3.8	3.4		22.0
24.0	5.8	5.1	4.5	4.1	3.7	3.4	3.1	5.6	5.0	4.4	3.8	3.4	2.8	2.4		24.0
26.0	4.7	4.2	3.7	3.3	2.9	2.6	2.0	4.7	4.1	3.5	3.0	2.5	1.9	1.5		26.0
28.0	4.0	3.5	3.0	2.6	2.0	1.8	1.4	4.0	3.3	2.8	2.1	1.8	1.2			28.0
30.0	3.3	2.9	2.3	1.9	1.4	1.3		3.3	2.7	2.1	1.5	1.2				30.0
32.0	2.8	2.3	1.7	1.4				2.8	2.0	1.6	1.1					32.0
34.0	2.3	1.8	1.3					2.1	1.6	1.2						34.0
36.0	1.8	1.4						1.8	1.2							36.0
38.0	1.4							1.4								38.0
40.0	1.2							1.1								40.0
42.0																42.0
44.0																44.0
46.0																46.0
48.0																48.0
50.0																50.0
52.0																52.0
54.0																54.0
56.0																56.0
58.0																58.0
60.0																60.0
62.0																62.0
64.0																64.0
66.0																66.0
68.0																68.0
70.0																70.0
Reeving	5							4							Reeving	
Hook	55t														Hook	
Telescoping mode	I	1	1	1	1	1	1	2	1	1	1	1	1	2	3	I
	II	1	1	1	1	2	3	2	1	1	1	2	3	3	2	II
	III	1	1	2	3	3	2	2	1	2	3	3	3	2	2	III
	IV	2	3	3	3	2	2	2	3	3	3	3	2	2	2	IV
	V	3	3	3	2	2	2	2	3	3	3	2	2	2	2	V
	VI	3	3	2	2	2	2	2	3	3	2	2	2	2	2	VI
	VII	3	2	2	2	2	2	2	3	2	2	2	2	2	2	VII

Table 8-24 Main boom

Unit: t

Outriggers intermediately extended, with 18 tons counterweight, counterweight front position, over full range																
Working radius (m)	Boom length (m)														Working radius (m)	
	58.5	58.5	58.5	58.5	58.5	58.5★				63.4	63.4	63.4	63.4	63.4★		
3.0															3.0	
3.5															3.5	
4.0															4.0	
4.5															4.5	
5.0															5.0	
6.0															6.0	
7.0															7.0	
8.0															8.0	
9.0															9.0	
10.0															10.0	
12.0															12.0	
14.0	10.5	12.6	13.0	12.3	11.4	10.8				10.7	13.5	12.7	11.7	11.0	14.0	
16.0	9.6	11.5	10.1	9.5	8.6	8.1				10.1	10.5	9.8	8.9	8.2	16.0	
18.0	9	8.7	8.0	7.4	6.7	6.0				9.3	8.5	7.7	6.8	6.1	18.0	
20.0	8.2	7.1	6.4	5.9	5.0	4.5				7.6	6.8	6.1	5.3	4.6	20.0	
22.0	6.4	5.9	5.1	4.6	3.9	3.3				6.3	5.5	4.9	4.1	3.3	22.0	
24.0	5.3	4.8	4.1	3.6	2.8	2.1				5.2	4.4	3.9	3.1	2.3	24.0	
26.0	4.5	3.9	3.2	2.7	1.9	1.4				4.3	3.6	3.0	2.0	1.4	26.0	
28.0	3.7	3.2	2.5	1.9	1.2					3.6	2.9	2.1	1.4		28.0	
30.0	3.1	2.5	1.8	1.4						3.0	2.1	1.5			30.0	
32.0	2.5	1.9	1.3							2.4	1.6	1.1			32.0	
34.0	2.0	1.4								1.8	1.2				34.0	
36.0	1.6	1.1								1.4					36.0	
38.0	1.2									1.1					38.0	
40.0															40.0	
42.0															42.0	
44.0															44.0	
46.0															46.0	
48.0															48.0	
50.0															50.0	
52.0															52.0	
54.0															54.0	
56.0															56.0	
58.0															58.0	
60.0															60.0	
62.0															62.0	
64.0															64.0	
66.0															66.0	
68.0															68.0	
70.0															70.0	
Reeving	4										3					Reeving
Hook	55t										25t					Hook
Telescoping mode	I	1	1	1	1	2	3			1	1	1	2	3	I	
	II	1	1	2	3	3	3			1	2	3	3	3	II	
	III	2	3	3	3	3	2			3	3	3	3	3	III	
	IV	3	3	3	3	2	2			3	3	3	3	2	IV	
	V	3	3	3	2	2	2			3	3	3	2	2	V	
	VI	3	3	2	2	2	2			3	3	2	2	2	VI	
	VII	3	2	2	2	2	2			3	2	2	2	2	VII	

Table 8-24 Main boom

Unit: t

Outriggers intermediately extended, with 18 tons counterweight, counterweight front position, over full range																
Working radius (m)	Boom length (m)														Working radius (m)	
	68.3	68.3	68.3	68.3★		73.2	73.2	73.2★		78.1	78.1★	83★	86.2★	88★		
6.0															6.0	
7.0															7.0	
8.0															8.0	
9.0															9.0	
10.0															10.0	
12.0															12.0	
14.0															14.0	
16.0	10.5	10.4	9.4	8.5											16.0	
18.0	9.9	8.2	7.2	6.4		8.7	7.7	6.8							18.0	
20.0	7.3	6.6	5.7	4.9		7.0	6.0	5.2		6.6	5.7				20.0	
22.0	5.9	5.2	4.3	3.6		5.8	4.8	4.0		5.2	4.3	4.9			22.0	
24.0	4.9	4.2	3.3	2.6		4.7	3.7	2.9		4.1	3.3	3.8	4.0	3.9	24.0	
26.0	4.0	3.3	2.5	1.6		3.8	2.9	2.0		3.2	2.4	2.9	3.1	3.0	26.0	
28.0	3.2	2.6	1.7			3.0	2.0	1.3		2.5	1.6	2.0	2.3	2.0	28.0	
30.0	2.6	1.9	1.1			2.3	1.4			1.8		1.4	1.5	1.4	30.0	
32.0	2.0	1.4				1.7				1.3					32.0	
34.0	1.5					1.3									34.0	
36.0	1.1														36.0	
38.0															38.0	
40.0															40.0	
42.0															42.0	
44.0															44.0	
46.0															46.0	
48.0															48.0	
50.0															50.0	
52.0															52.0	
54.0															54.0	
56.0															56.0	
58.0															58.0	
60.0															60.0	
62.0															62.0	
64.0															64.0	
66.0															66.0	
68.0															68.0	
70.0															70.0	
72.0															72.0	
74.0															74.0	
Reeving	3					3					2		2	2	2	Reeving
Hook	25t														Hook	
Telescoping mode	I	1	1	2	3		1	2	3		2	3	3	3	4	I
	II	2	3	3	3		3	3	3		3	3	3	3	4	II
	III	3	3	3	3		3	3	3		3	3	3	4	4	III
	IV	3	3	3	3		3	3	3		3	3	3	4	4	IV
	V	3	3	3	2		3	3	3		3	3	3	4	4	V
	VI	3	3	2	2		3	3	2		3	3	3	4	4	VI
	VII	3	2	2	2		3	2	2		3	2	3	4	4	VII

Table 8-25 Main boom

Unit: t

Outriggers intermediately extended, with 9 tons counterweight, counterweight front position, over full range																
Working radius (m)	Boom length (m)														Working radius (m)	
	14.4★	19.3	19.3	19.3	19.3	19.3	19.3★	24.2	24.2	24.2	24.2	24.2	24.2	24.2★		
3.0	102	48.5	55	72	75	95	100								3.0	
3.5	91	46	55	72	75	90	90	23	46	62	70	75	85	85	3.5	
4.0	80	43.5	55	72	75	80	80.0	22	44	58	67	72	80	80	4.0	
4.5	70.0	41.7	55	71	71	70.4	69.0	21	41	55	64	70	66.2	63.4	4.5	
5.0	57.0	39.5	55	58.6	57.7	56.5	55.3	20	39	52	60	55.4	53.6	51.0	5.0	
6.0	38.0	36.5	41.8	41.0	40.2	39.2	38.2	17.5	34	45	40.8	39.4	37.9	35.6	6.0	
7.0	27.0	33.5	30.5	29.8	29.2	28.3	27.4	16	31	31.7	30.6	29.3	28.0	25.9	7.0	
8.0	20.5	23.9	23.5	22.9	22.2	21.4	20.6	14.8	25.5	24.6	23.6	22.5	21.2	19.4	8.0	
9.0	16.0	19.1	18.6	18.1	17.5	16.7	15.9	13.7	20.5	19.7	18.8	17.7	16.5	14.8	9.0	
10.0	12.5	15.6	15.1	14.7	14.0	13.4	12.6	12.8	16.9	16.1	15.3	14.3	13.1	11.5	10.0	
12.0		10.8	10.4	9.9	9.5	8.8	8.1	10.9	12.1	11.3	10.5	9.6	8.6	7.0	12.0	
14.0		7.7	7.4	6.9	6.4	5.8	5.1	10	8.9	8.3	7.5	6.7	5.6	4.1	14.0	
16.0								7.0	6.8	6.1	5.3	4.5	3.5	2.0	16.0	
18.0								5.4	5.1	4.5	3.8	3.0	1.9		18.0	
20.0															20.0	
22.0															22.0	
24.0															24.0	
26.0															26.0	
28.0															28.0	
30.0															30.0	
32.0															32.0	
34.0															34.0	
36.0															36.0	
38.0															38.0	
40.0															40.0	
42.0															42.0	
44.0															44.0	
46.0															46.0	
48.0															48.0	
50.0															50.0	
52.0															52.0	
54.0															54.0	
56.0															56.0	
58.0															58.0	
60.0															60.0	
62.0															62.0	
64.0															64.0	
66.0															66.0	
68.0															68.0	
70.0															70.0	
Reeving	14	13						13						Reeving		
Hook	110t														Hook	
Telescoping mode	I	1	1	1	1	1	1	1	1	1	1	1	1	1	2	I
	II	1	1	1	1	1	1	2	1	1	1	1	1	2	2	II
	III	1	1	1	1	1	2	1	1	1	1	1	2	2	1	III
	IV	1	1	1	1	2	1	1	1	1	1	2	2	1	1	IV
	V	1	1	1	2	1	1	1	1	1	2	2	1	1	1	V
	VI	1	1	2	1	1	1	1	1	2	2	1	1	1	1	VI
	VII	1	2	1	1	1	1	1	3	2	1	1	1	1	1	VII



Table 8-25 Main boom

Unit: t

Outriggers intermediately extended, with 9 tons counterweight, counterweight front position, over full range																
Working radius (m)	Boom length (m)														Working radius (m)	
	29.1	29.1	29.1	29.1	29.1	29.1	29.1★	34	34	34	34	34	34	34★		
3.0															3.0	
3.5															3.5	
4.0															4.0	
4.5	22	19	45	53	68	64.4	61.3								4.5	
5.0	21	18.2	43	51.5	54.7	52.7	49.9								5.0	
6.0	19.3	16.2	38	45.5	39.5	37.7	35.3	13.5	17.5	27	40.5	39.7	37.8	35.4	6.0	
7.0	18.2	14.5	35	31.8	30.2	28.6	26.4	12.2	16.1	25	32.3	30.7	29.0	26.7	7.0	
8.0	17	13.1	26.1	24.9	23.6	22.1	20.0	11.2	14.8	23	26.1	24.7	23.0	21.0	8.0	
9.0	15.7	12.1	21.1	20.0	18.7	17.4	15.4	10.3	13.7	21	21.2	19.8	18.3	16.3	9.0	
10.0	14.7	11.2	17.5	16.4	15.2	14.0	12.2	9.6	12.5	19.6	17.6	16.3	14.9	13.0	10.0	
12.0	12.7	9.6	12.5	11.6	10.5	9.3	7.7	8	10.8	13.0	12.6	11.4	10.1	8.4	12.0	
14.0	10.0	8.3	9.4	8.5	7.5	6.3	4.7	7.1	9.6	9.7	9.5	8.4	7.1	5.4	14.0	
16.0	7.7	7.4	7.2	6.3	5.3	4.2	2.7	6.3	8.5	7.5	7.2	6.1	5.0	3.4	16.0	
18.0	6.0	5.9	5.5	4.7	3.8	2.7	1.1	5.7	6.1	5.9	5.6	4.6	3.4	1.7	18.0	
20.0	4.8	4.6	4.2	3.5	2.5	1.4		5.1	4.9	4.6	4.3	3.3	2.0		20.0	
22.0	3.8	3.5	3.2	2.5	1.4			4.6	3.8	3.6	3.3	2.3	1.2		22.0	
24.0								3.4	3.0	2.8	2.5	1.4			24.0	
26.0								2.7	2.3	2.0	1.7				26.0	
28.0															28.0	
30.0															30.0	
32.0															32.0	
34.0															34.0	
36.0															36.0	
38.0															38.0	
40.0															40.0	
42.0															42.0	
44.0															44.0	
46.0															46.0	
48.0															48.0	
50.0															50.0	
52.0															52.0	
54.0															54.0	
56.0															56.0	
58.0															58.0	
60.0															60.0	
62.0															62.0	
64.0															64.0	
66.0															66.0	
68.0															68.0	
70.0															70.0	
Reeving	11							9							Reeving	
Hook	90t														Hook	
Telescoping mode	I	1	1	1	1	1	1	2	1	1	1	1	1	1	2	I
	II	1	1	1	1	1	2	2	1	1	1	1	1	2	2	II
	III	1	1	1	1	2	2	2	1	1	1	1	2	2	2	III
	IV	1	1	1	2	2	2	1	1	1	1	2	2	2	2	IV
	V	1	1	2	2	2	1	1	1	2	3	2	2	2	1	V
	VI	2	3	2	2	1	1	1	3	3	2	2	2	1	1	VI
	VII	3	2	2	1	1	1	1	3	2	2	2	2	1	1	VII

Table 8-25 Main boom

Unit: t

Outriggers intermediately extended, with 9 tons counterweight, counterweight front position, over full range																	
Working radius (m)	Boom length (m)															Working radius (m)	
	38.9	38.9	38.9	38.9	38.9	38.9	38.9★	43.8	43.8	43.8	43.8	43.8	43.8	43.8	43.8★		
3.0																3.0	
3.5																3.5	
4.0																4.0	
4.5																4.5	
5.0																5.0	
6.0																6.0	
7.0	13.4	17.3	19	24	31.2	29.4	27.2									7.0	
8.0	12.3	16.1	17.5	22.3	25.3	23.6	21.5									8.0	
9.0	11.5	14.9	16.1	20.6	20.9	19.4	17.3	12	14.7	17.5	22.1	20.5	20.1	18.1		9.0	
10.0	10.7	13.8	14.9	19	17.3	15.8	13.9	11.5	13.7	16.2	17.5	17.1	16.7	14.9		10.0	
12.0	9.1	12	12.7	12.7	12.3	11.0	9.2	9.9	11.5	14	12.5	12.2	11.9	10.1		12.0	
14.0	8	10.8	9.8	9.5	9.2	7.9	6.2	8.8	10	9.8	9.3	9.0	8.7	7.0		14.0	
16.0	7.1	8.0	7.6	7.3	6.9	5.8	4.1	7.9	8.0	7.6	7.1	6.8	6.5	4.9		16.0	
18.0	6.4	6.3	5.9	5.7	5.3	4.1	2.6	7.2	6.3	5.9	5.4	5.1	4.9	3.3		18.0	
20.0	5.9	5.0	4.6	4.4	4.1	2.9	1.3	5.6	5.0	4.6	4.1	3.9	3.6	2.0		20.0	
22.0	4.4	4.1	3.6	3.3	3.1	1.9		4.5	4.0	3.6	3.2	2.9	2.6	1.1		22.0	
24.0	3.5	3.2	2.8	2.5	2.1	1.1		3.7	3.2	2.8	2.3	2.0	1.7			24.0	
26.0	2.9	2.5	2.0	1.8	1.5			3.0	2.4	2.0	1.6	1.4	1.1			26.0	
28.0	2.1	1.8	1.4	1.3				2.4	1.8	1.4						28.0	
30.0	1.7	1.4						1.8	1.3							30.0	
32.0	1.3							1.4								32.0	
34.0																34.0	
36.0																36.0	
38.0																38.0	
40.0																40.0	
42.0																42.0	
44.0																44.0	
46.0																46.0	
48.0																48.0	
50.0																50.0	
52.0																52.0	
54.0																54.0	
56.0																56.0	
58.0																58.0	
60.0																60.0	
62.0																62.0	
64.0																64.0	
66.0																66.0	
68.0																68.0	
70.0																70.0	
Reeving	8								6								Reeving
Hook	90t								55t								Hook
Telescoping mode	I	1	1	1	1	1	1	2	1	1	1	1	1	1	2	I	
	II	1	1	1	1	1	2	2	1	1	1	1	1	2	2	II	
	III	1	1	1	1	2	2	2	1	1	1	2	3	2	2	III	
	IV	1	1	2	3	2	2	2	1	2	3	3	2	2	2	IV	
	V	2	3	3	2	2	2	2	3	3	3	2	2	2	2	V	
	VI	3	3	2	2	2	2	1	3	3	2	2	2	2	2	VI	
	VII	3	2	2	2	2	1	1	3	2	2	2	2	2	1	VII	

Table 8-25 Main boom

Unit: t

Outriggers intermediately extended, with 9 tons counterweight, counterweight front position, over full range																
Working radius (m)	Boom length (m)															Working radius (m)
	48.7	48.7	48.7	48.7	48.7	48.7	48.7★	53.6	53.6	53.6	53.6	53.6	53.6	53.6		
3.0																3.0
3.5																3.5
4.0																4.0
4.5																4.5
5.0																5.0
6.0																6.0
7.0																7.0
8.0																8.0
9.0																9.0
10.0	12.2	14.7	17.5	17.3	16.7	16.3	15.8									10.0
12.0	10.7	12.5	12.9	12.4	11.8	11.5	11.0	11	13.2	12.8	12.1	11.5	10.8	10.4		12.0
14.0	9.6	11.2	9.6	9.2	8.6	8.4	7.8	10	10.1	9.5	8.8	8.4	7.7	7.2		14.0
16.0	8.7	8.0	7.4	6.9	6.4	6.1	5.7	9.2	7.8	7.2	6.6	6.1	5.5	5.0		16.0
18.0	6.8	6.3	5.7	5.3	4.8	4.5	4.1	6.8	6.1	5.6	5.0	4.5	3.9	3.5		18.0
20.0	5.5	5.0	4.4	4.1	3.5	3.2	2.9	5.5	4.8	4.3	3.7	3.2	2.6	2.1		20.0
22.0	4.4	4.0	3.4	3.0	2.5	2.3	1.8	4.4	3.8	3.2	2.7	2.1	1.5	1.2		22.0
24.0	3.6	3.2	2.6	2.0	1.6	1.4		3.6	3.0	2.4	1.8	1.4				24.0
26.0	2.9	2.4	1.8	1.4				2.9	2.1	1.6	1.1					26.0
28.0	2.3	1.8	1.3					2.1	1.6	1.1						28.0
30.0	1.7	1.3						1.7	1.1							30.0
32.0	1.3							1.3								32.0
34.0																34.0
36.0																36.0
38.0																38.0
40.0																40.0
42.0																42.0
44.0																44.0
46.0																46.0
48.0																48.0
50.0																50.0
52.0																52.0
54.0																54.0
56.0																56.0
58.0																58.0
60.0																60.0
62.0																62.0
64.0																64.0
66.0																66.0
68.0																68.0
70.0																70.0
Reeving	5							4							Reeving	
Hook	55t															Hook
Telescoping mode	I	1	1	1	1	1	1	2	1	1	1	1	1	2	3	I
	II	1	1	1	1	2	3	2	1	1	1	2	3	3	2	II
	III	1	1	2	3	3	2	2	1	2	3	3	3	2	2	III
	IV	2	3	3	3	2	2	2	3	3	3	3	2	2	2	IV
	V	3	3	3	2	2	2	2	3	3	3	2	2	2	2	V
	VI	3	3	2	2	2	2	2	3	3	2	2	2	2	2	VI
	VII	3	2	2	2	2	2	2	2	3	2	2	2	2	2	VII

Table 8-25 Main boom

Unit: t

Outriggers intermediately extended, with 9 tons counterweight, counterweight front position, over full range																					
Working radius (m)	Boom length (m)														Working radius (m)						
	58.5	58.5	58.5	58.5	58.5	58.5★					63.4	63.4	63.4	63.4		63.4★					
3.0																3.0					
3.5																3.5					
4.0																4.0					
4.5																4.5					
5.0																5.0					
6.0																6.0					
7.0																7.0					
8.0																8.0					
9.0																9.0					
10.0																10.0					
12.0																12.0					
14.0	10.5	10.0	9.2	8.6	7.7	7.1				10.7	9.6	8.9	8.0	7.2		14.0					
16.0	8.3	7.7	6.9	6.3	5.5	5.0				8.2	7.4	6.7	5.8	5.0		16.0					
18.0	6.6	5.9	5.2	4.7	3.9	3.3				6.4	5.7	5.0	4.1	3.4		18.0					
20.0	5.2	4.7	4.0	3.4	2.6	2.0				5.1	4.3	3.7	2.9	2.0		20.0					
22.0	4.2	3.6	3.0	2.4	1.6					4.1	3.3	2.7	1.8	1.1		22.0					
24.0	3.3	2.8	2.0	1.5						3.2	2.4	1.8				24.0					
26.0	2.6	2.0	1.4							2.5	1.7	1.1				26.0					
28.0	2.0	1.4								1.8	1.1					28.0					
30.0	1.4									1.3						30.0					
32.0																32.0					
34.0																34.0					
36.0																36.0					
38.0																38.0					
40.0																40.0					
42.0																42.0					
44.0																44.0					
46.0																46.0					
48.0																48.0					
50.0																50.0					
52.0																52.0					
54.0																54.0					
56.0																56.0					
58.0																58.0					
60.0																60.0					
62.0																62.0					
64.0																64.0					
66.0																66.0					
68.0																68.0					
70.0																70.0					
Reeving	4							3							Reeving						
Hook	55t							25t							Hook						
Telescoping mode	I	1	1	1	1	2	3									1	1	1	2	3	I
	II	1	1	2	3	3	3									1	2	3	3	3	II
	III	2	3	3	3	3	2									3	3	3	3	3	III
	IV	3	3	3	3	2	2									3	3	3	3	2	IV
	V	3	3	3	2	2	2									3	3	3	2	2	V
	VI	3	3	2	2	2	2									3	3	2	2	2	VI
	VII	3	2	2	2	2	2									3	2	2	2	2	VII

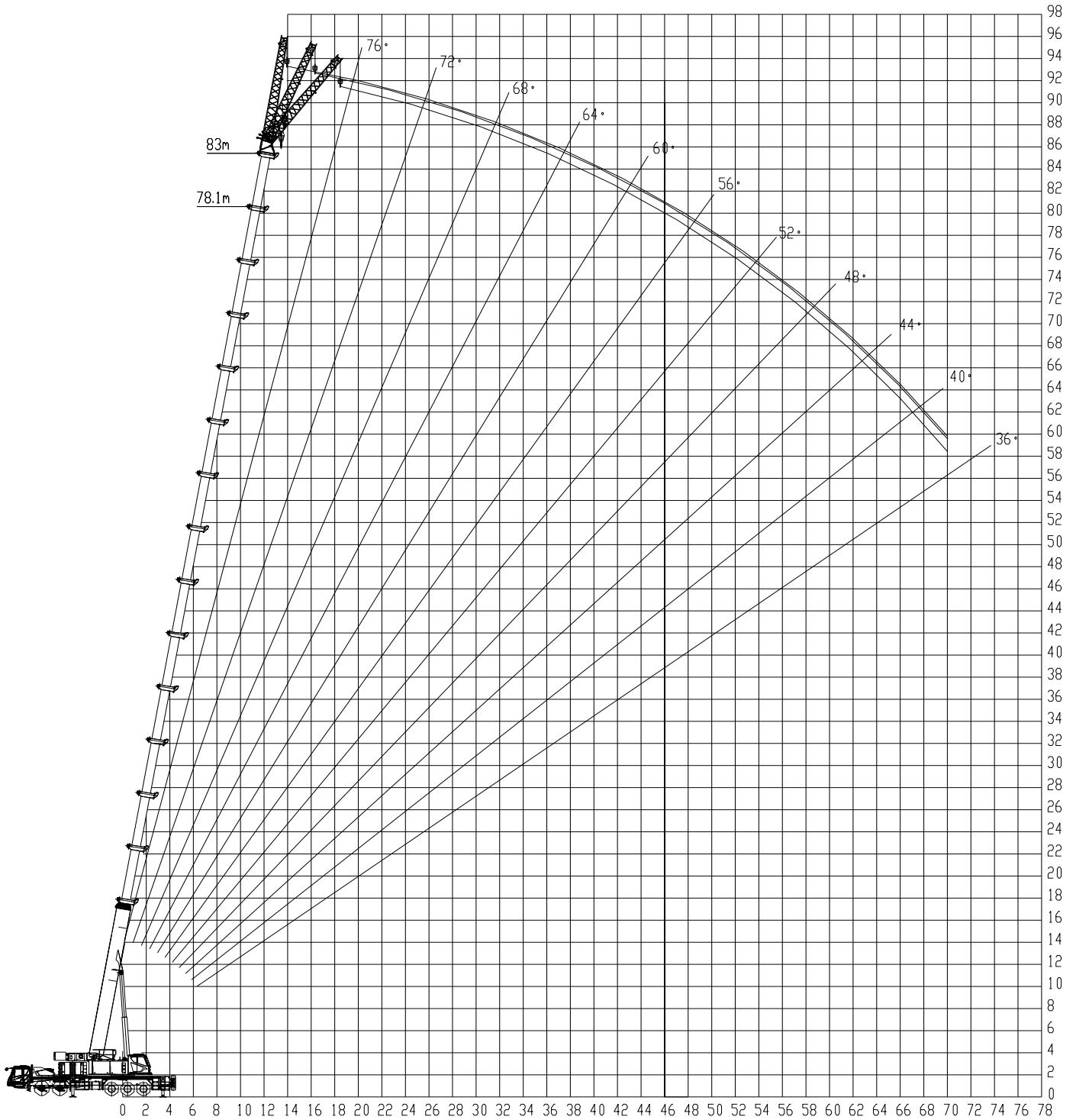
Table 8-25 Main boom

Unit: t

Outriggers intermediately extended, with 9 tons counterweight, counterweight front position, over full range																
Working radius (m)	Boom length (m)														Working radius (m)	
	68.3	68.3	68.3	68.3★		73.2	73.2	73.2★		78.1	78.1★	83★	86.2★	88★		
6.0															6.0	
7.0															7.0	
8.0															8.0	
9.0															9.0	
10.0															10.0	
12.0															12.0	
14.0															14.0	
16.0	7.8	7.1	6.1	5.3											16.0	
18.0	6.1	5.4	4.4	3.6		5.9	4.9	4.0							18.0	
20.0	4.8	4.1	3.2	2.4		4.5	3.6	2.7		4.1	3.2				20.0	
22.0	3.7	3.1	2.0	1.4		3.5	2.5	1.6		3.0	2.0	2.5			22.0	
24.0	2.9	2.0	1.3			2.6	1.6			2.0	1.2	1.6	1.8	1.6	24.0	
26.0	2.0	1.4				1.8				1.4			1.1	1.1	26.0	
28.0	1.5					1.3									28.0	
30.0															30.0	
32.0															32.0	
34.0															34.0	
36.0															36.0	
38.0															38.0	
40.0															40.0	
42.0															42.0	
44.0															44.0	
46.0															46.0	
48.0															48.0	
50.0															50.0	
52.0															52.0	
54.0															54.0	
56.0															56.0	
58.0															58.0	
60.0															60.0	
62.0															62.0	
64.0															64.0	
66.0															66.0	
68.0															68.0	
70.0															70.0	
72.0															72.0	
74.0															74.0	
Reeving	3					3					2		2	2	2	Reeving
Hook	25t														Hook	
Telescoping mode	I	1	1	2	3		1	2	3		2	3	3	3	4	I
	II	2	3	3	3		3	3	3		3	3	3	3	4	II
	III	3	3	3	3		3	3	3		3	3	3	4	4	III
	IV	3	3	3	3		3	3	3		3	3	3	4	4	IV
	V	3	3	3	2		3	3	3		3	3	3	4	4	V
	VI	3	3	2	2		3	3	2		3	3	3	4	4	VI
	VII	3	2	2	2		3	2	2		3	2	3	4	4	VII

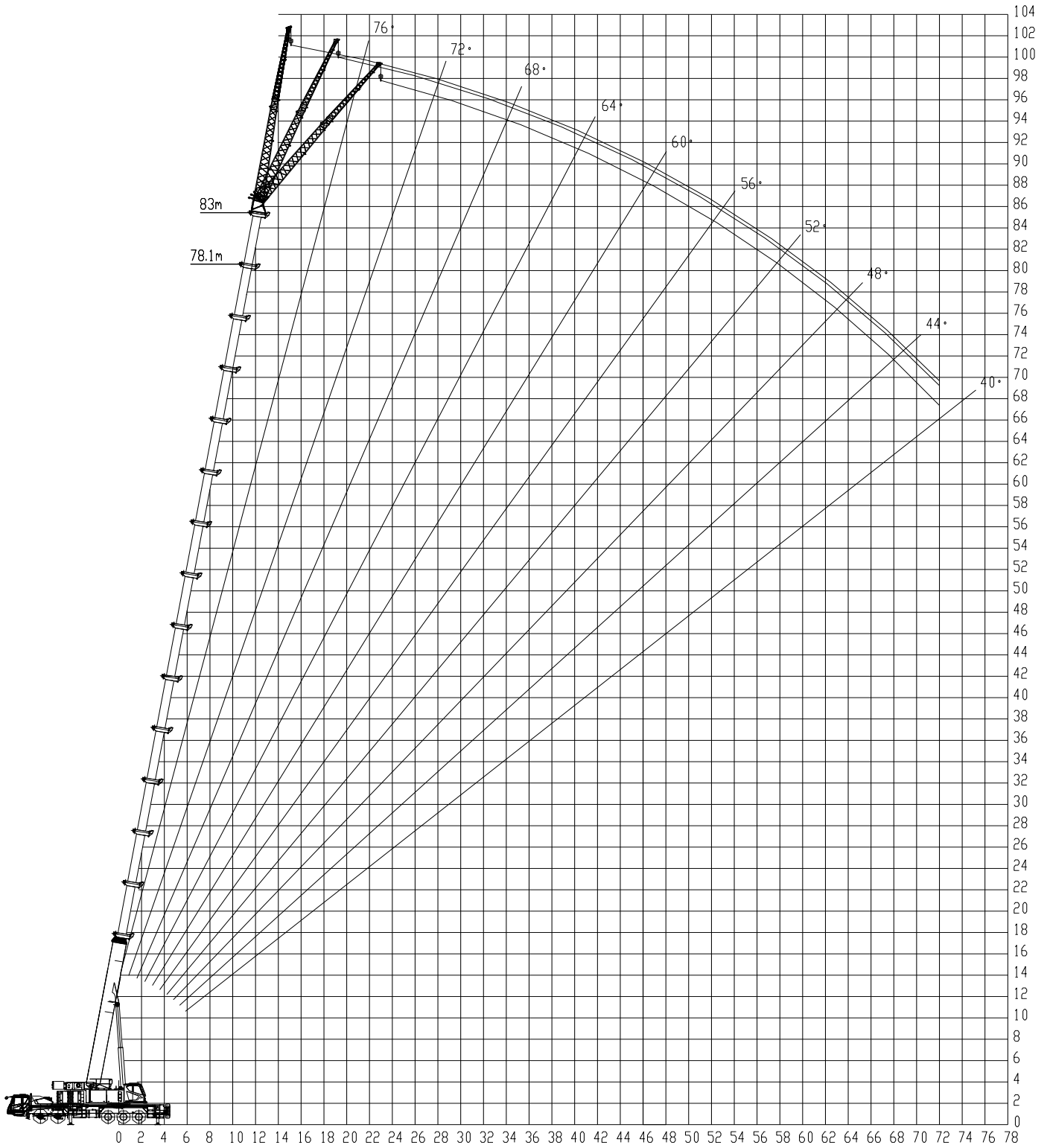
# Lifting capacity tables / Lifting height charts

## Main boom + 10.4 m jib OM



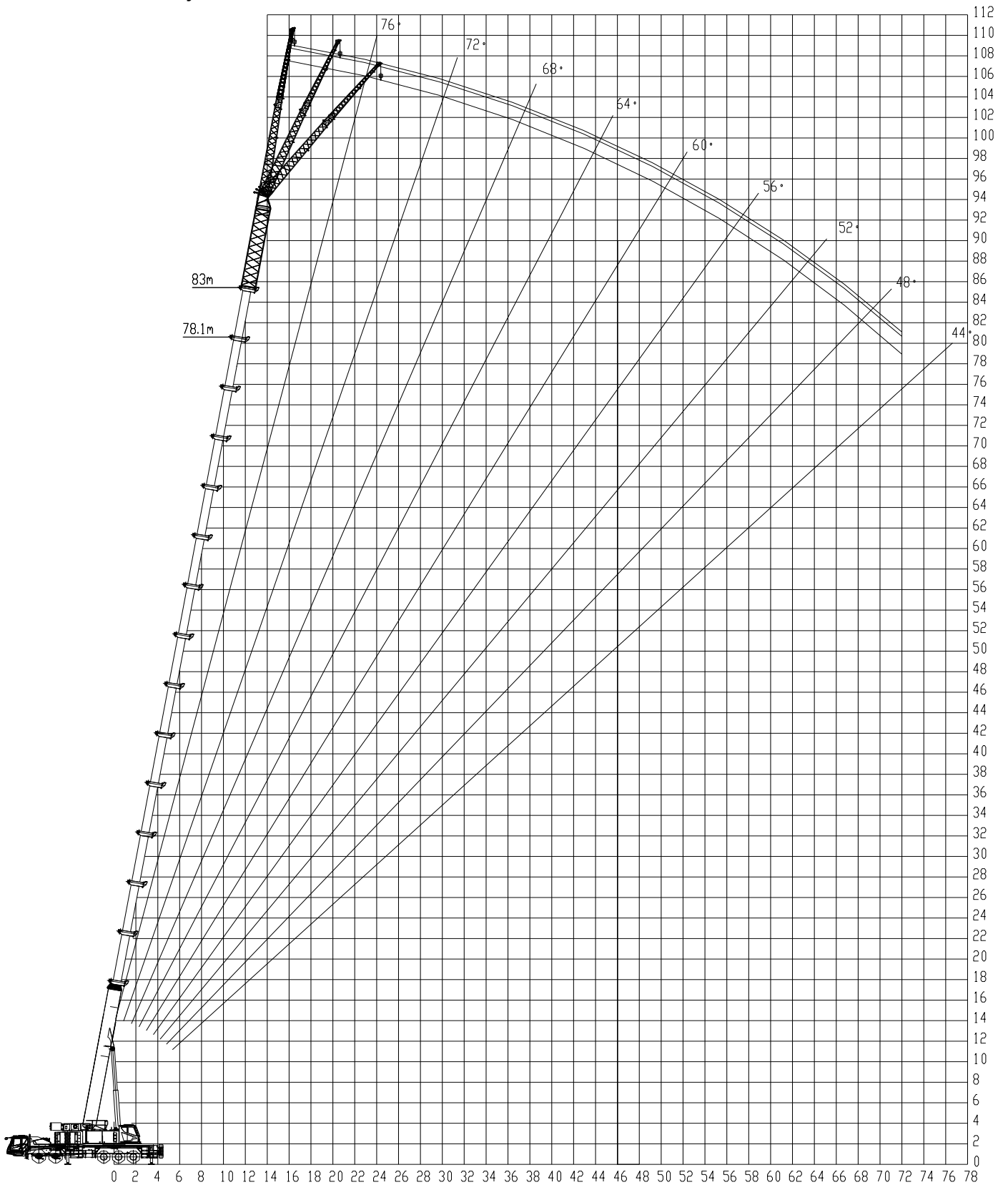
# Lifting capacity tables / Lifting height charts

## Main boom + 17.5 m jib OM



# Lifting capacity tables / Lifting height charts

## Main boom + 25.5 m jib OM





# Lifting capacity tables / Lifting height charts

Main boom + 33.5 m jib OM

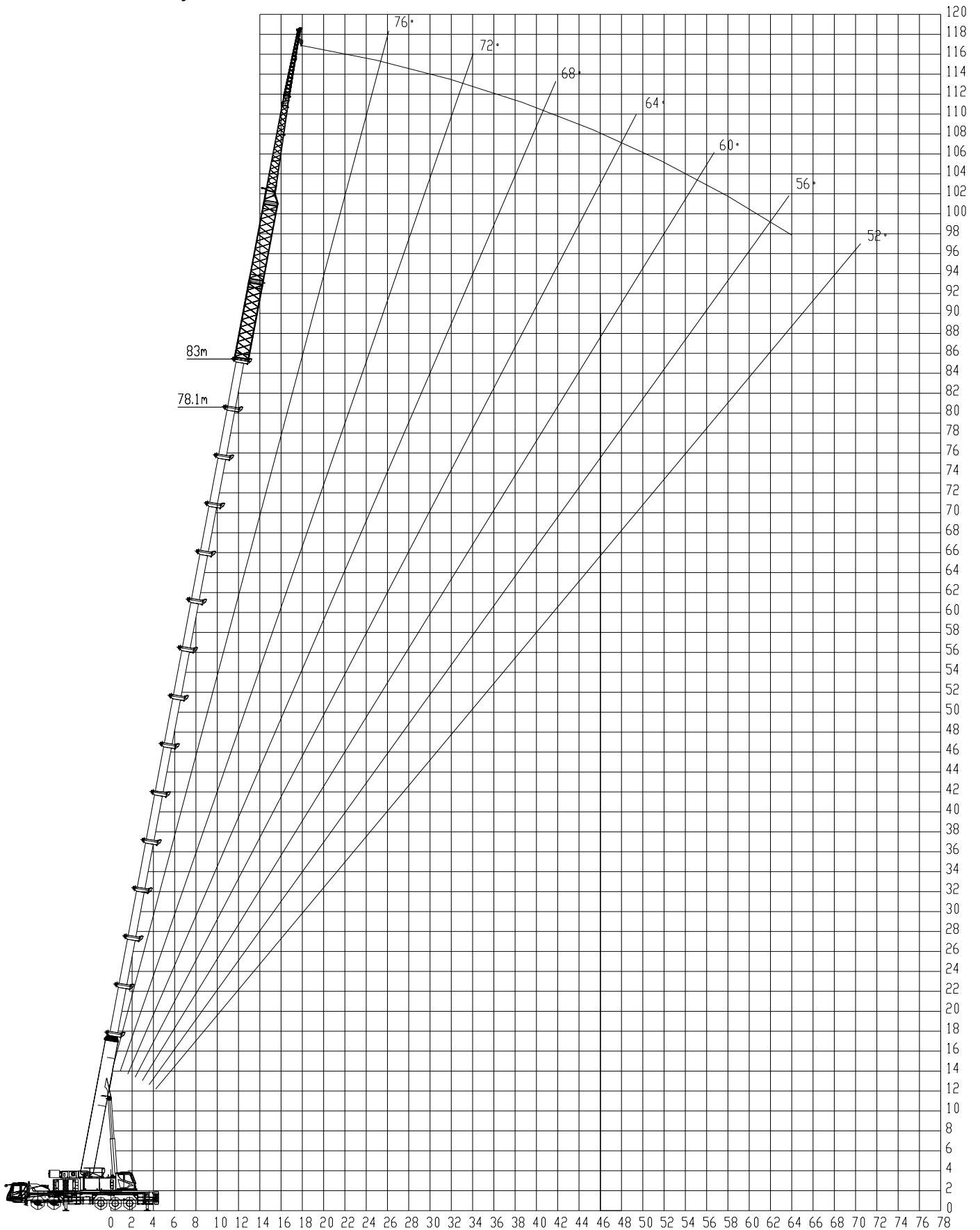


Table 9-1 Main boom + Jib

Unit: t

Outriggers completely extended, with 59 tons counterweight, counterweight moved backwards, with the 5 <sup>th</sup> outrigger extended, over full range																						
Working radius (m)	Main boom (m) + Jib (m)																			Working radius (m)		
	78.1			83			78.1			83			78.1			83			78.1		83	
	10.4			10.4			17.5			17.5			25.5			25.5			33.5		33.5	
	0°	15°	30°	0°	15°	30°	0°	15°	30°	0°	15°	30°	0°	15°	30°	0°	15°	30°	0°		0°	
20.0																					20.0	
22.0	5.5																				22.0	
24.0	5.5	5		4.5																	24.0	
26.0	5.5	5	4.5	4.5	4.2		3.6							2.5							26.0	
28.0	5.2	4.9	4.5	4.4	4.2	3.8	3.6	2.8		2.8				2.5			2				28.0	
30.0	4.9	4.6	4.4	4.2	4.1	3.8	3.5	2.8	2.5	2.8	2.4			2.5	2.2		2			1.6	30.0	
32.0	4.6	4.3	4.1	4	3.9	3.6	3.4	2.8	2.5	2.8	2.4	2		2.5	2.2	1.8	2	1.8		1.6	1.3	32.0
34.0	4.3	4.1	3.9	3.8	3.7	3.5	3.3	2.8	2.4	2.8	2.4	2		2.4	2.1	1.8	2	1.8		1.6	1.3	34.0
36.0	4	3.8	3.6	3.6	3.5	3.3	3.2	2.8	2.4	2.7	2.3	1.9		2.4	2.1	1.8	2	1.7	1.7	1.5	1.3	36.0
38.0	3.8	3.6	3.4	3.4	3.3	3.1	3.1	2.8	2.4	2.6	2.3	1.9		2.3	2.1	1.8	2	1.7	1.6	1.5	1.2	38.0
40.0	3.6	3.4	3.2	3.2	3.1	3	3	2.6	2.3	2.5	2.2	1.8		2.3	2	1.8	2	1.7	1.5	1.5	1.2	40.0
42.0	3.4	3.2	3	3	2.9	2.8	2.9	2.6	2.3	2.4	2.1	1.8		2.2	2	1.7	1.9	1.7	1.5	1.4	1.2	42.0
44.0	3.2	3	2.8	2.8	2.7	2.6	2.7	2.5	2.3	2.3	2.1	1.8		2.2	2	1.7	1.9	1.7	1.5	1.4	1.2	44.0
46.0	3	2.9	2.7	2.6	2.5	2.5	2.5	2.4	2.2	2.2	2	1.7		2.2	1.9	1.7	1.9	1.7	1.5	1.4	1.1	46.0
48.0	2.8	2.7	2.5	2.4	2.4	2.3	2.4	2.3	2.2	2.1	1.9	1.7		2.1	1.9	1.7	1.8	1.7	1.5	1.3	1.1	48.0
50.0	2.6	2.5	2.3	2.3	2.2	2.2	2.3	2.2	2.1	1.9	1.8	1.6		2	1.8	1.6	1.7	1.6	1.4	1.3	1.1	50.0
52.0	2.5	2.4	2.2	2.2	2.1	2.1	2.2	2.1	2	1.8	1.7	1.6		1.9	1.8	1.6	1.6	1.6	1.4	1.3	1.1	52.0
54.0	2.3	2.2	2	2	2	1.9	2	1.9	1.9	1.7	1.6	1.5		1.8	1.7	1.6	1.5	1.5	1.4	1.3	1.1	54.0
56.0	2.2	2.1	1.9	1.9	1.9	1.8	1.9	1.8	1.8	1.6	1.5	1.5		1.7	1.6	1.5	1.4	1.4	1.3	1.2	1.1	56.0
58.0	2.1	2	1.8	1.8	1.8	1.7	1.8	1.7	1.7	1.5	1.4	1.4		1.6	1.5	1.4	1.3	1.3	1.2	1.2	1	58.0
60.0	1.8	1.8	1.7	1.7	1.6	1.6	1.7	1.6	1.6	1.4	1.3	1.3		1.5	1.4	1.3	1.2	1.2	1.2	1.1	1	60.0
62.0	1.5	1.5	1.5	1.5	1.5	1.5	1.5	1.5	1.5	1.3	1.2	1.2		1.4	1.3	1.2	1.1	1.1	1.1	1	1	62.0
64.0	1.2	1.2	1.2	1.3	1.3	1.3	1.3	1.4	1.4	1.2	1.1	1.1		1.3	1.2	1.2	1.1	1.1	1	0.9	0.9	64.0
66.0	1.1	1.1	1.1	1.2	1.2	1.2	1.3	1.3	1.3	1.1	1	1		1.2	1.2	1.1	1	1	1			66.0
68.0	1	1	1	1.1	1.1	1.1	1.1	1.2	1.2	1	1	1		1.1	1.1	1.1	1	1	1			68.0
70.0				1	1	1	1	1.1	1.1	1	0.9	0.9		1	1	1	1	0.9	0.9			70.0
72.0								1	1	0.9				1	1	1	0.9					72.0
74.0														0.9	0.9	0.9						74.0
76.0																						76.0
78.0																						78.0
80.0																						80.0
82.0																						82.0
84.0																						84.0
86.0																						86.0
Reeving																						Reeving
Hook																						Hook

Note:

- ① Telescoping combination of 78.1 m boom length: 3333332
- ② Telescoping combination of 83 m boom length: 3333333

:

Table 9-2 Main boom + Jib

Unit: t

Outriggers completely extended, with 50 tons counterweight, counterweight moved backwards, with the 5 <sup>th</sup> outrigger extended, over full range																					
Working radius (m)	Main boom (m) + Jib (m)																				Working radius (m)
	78.1			83			78.1			83			78.1			83			78.1	83	
	10.4			10.4			17.5			17.5			25.5			25.5			33.5	33.5	
	0°	15°	30°	0°	15°	30°	0°	15°	30°	0°	15°	30°	0°	15°	30°	0°	15°	30°	0°	0°	
20.0																					20.0
22.0	5.5																				22.0
24.0	5.5	5		4.5																	24.0
26.0	5.5	5	4.5	4.5	4.2		3.6														26.0
28.0	5.2	4.9	4.5	4.4	4.2	3.8	3.6	2.8		2.8				2.5							28.0
30.0	4.9	4.6	4.4	4.2	4.1	3.8	3.5	2.8	2.5	2.8	2.4		2.5	2.2					1.6		30.0
32.0	4.6	4.3	4.1	4	3.9	3.6	3.4	2.8	2.5	2.8	2.4	2	2.5	2.2	1.8	2			1.6	1.3	32.0
34.0	4.3	4.1	3.9	3.8	3.7	3.5	3.3	2.8	2.4	2.8	2.4	2	2.4	2.1	1.8	2	1.8		1.6	1.3	34.0
36.0	4	3.8	3.6	3.6	3.5	3.3	3.2	2.8	2.4	2.7	2.3	1.9	2.4	2.1	1.8	2	1.7	1.7	1.5	1.3	36.0
38.0	3.8	3.6	3.4	3.4	3.3	3.1	3.1	2.8	2.4	2.6	2.3	1.9	2.3	2.1	1.8	2	1.7	1.6	1.5	1.2	38.0
40.0	3.6	3.4	3.2	3.2	3.1	3	3	2.6	2.3	2.5	2.2	1.8	2.3	2	1.8	2	1.7	1.5	1.5	1.2	40.0
42.0	3.4	3.2	3	3	2.9	2.8	2.9	2.6	2.3	2.4	2.1	1.8	2.2	2	1.7	1.9	1.7	1.5	1.4	1.2	42.0
44.0	3.2	3	2.8	2.8	2.7	2.6	2.7	2.5	2.3	2.3	2.1	1.8	2.2	2	1.7	1.9	1.7	1.5	1.4	1.2	44.0
46.0	3	2.9	2.7	2.6	2.5	2.5	2.5	2.4	2.2	2.2	2	1.7	2.2	1.9	1.7	1.9	1.7	1.5	1.4	1.1	46.0
48.0	2.8	2.7	2.5	2.4	2.4	2.3	2.4	2.3	2.2	2.1	1.9	1.7	2.1	1.9	1.7	1.8	1.7	1.5	1.3	1.1	48.0
50.0	2.6	2.5	2.3	2.3	2.2	2.2	2.3	2.2	2.1	1.9	1.8	1.6	2	1.8	1.6	1.7	1.6	1.4	1.3	1.1	50.0
52.0	2.5	2.4	2.2	2.2	2.1	2.1	2.2	2.1	2	1.8	1.7	1.6	1.9	1.8	1.6	1.6	1.6	1.4	1.3	1.1	52.0
54.0	2.3	2.2	2	2	2	1.9	2	1.9	1.9	1.7	1.6	1.5	1.8	1.7	1.6	1.5	1.5	1.4	1.3	1.1	54.0
56.0	2.2	2.1	1.9	1.9	1.9	1.8	1.9	1.8	1.8	1.6	1.5	1.5	1.7	1.6	1.5	1.4	1.4	1.3	1.2	1.1	56.0
58.0	2.1	2	1.8	1.8	1.8	1.7	1.8	1.7	1.7	1.5	1.4	1.4	1.6	1.5	1.4	1.3	1.3	1.2	1.2	1	58.0
60.0	1.8	1.8	1.7	1.7	1.6	1.6	1.7	1.6	1.6	1.4	1.3	1.3	1.5	1.4	1.3	1.2	1.2	1.2	1.1	1	60.0
62.0	1.5	1.5	1.5	1.5	1.5	1.5	1.5	1.5	1.5	1.3	1.2	1.2	1.4	1.3	1.2	1.1	1.1	1.1	1	1	62.0
64.0	1.2	1.2	1.2	1.3	1.3	1.3	1.3	1.4	1.4	1.2	1.1	1.1	1.3	1.2	1.2	1.1	1.1	1	0.9	0.9	64.0
66.0	1.1	1.1	1.1	1.2	1.2	1.2	1.3	1.3	1.3	1.1	1	1	1.2	1.2	1.1	1	1	1			66.0
68.0			1	1.1	1.1	1.1	1.1	1.2	1.2	1	1	1	1.1	1.1	1.1	1	1	1			68.0
70.0					1	1	1	1.1	1.1	1	0.9	0.9	1	1	1	1	0.9	0.9			70.0
72.0								1	1	0.9			1	1	1	0.9					72.0
74.0														0.9	0.9						74.0
76.0																					76.0
78.0																					78.0
80.0																					80.0
82.0																					82.0
84.0																					84.0
86.0																					86.0
Reeving																					Reeving
Hook																					Hook

Note:

- ① Telescoping combination of 78.1 m boom length: 3333332
- ② Telescoping combination of 83 m boom length: 3333333

Table 9-3 Main boom + Jib

Unit: t

Outriggers completely extended, with 45 tons counterweight, counterweight moved backwards, with the 5 <sup>th</sup> outrigger extended, over full range																					
Working radius (m)	Main boom (m) + Jib (m)																			Working radius (m)	
	78.1			83			78.1			83			78.1			83			78.1		83
	10.4			10.4			17.5			17.5			25.5			25.5			33.5		33.5
	0°	15°	30°	0°	15°	30°	0°	15°	30°	0°	15°	30°	0°	15°	30°	0°	15°	30°	0°		0°
20.0																					20.0
22.0	5.5																				22.0
24.0	5.5	5		4.5																	24.0
26.0	5.5	5	4.5	4.5	4.2		3.6														26.0
28.0	5.2	4.9	4.5	4.4	4.2	3.8	3.6	2.8		2.8				2.5							28.0
30.0	4.9	4.6	4.4	4.2	4.1	3.8	3.5	2.8	2.5	2.8	2.4		2.5	2.2					1.6		30.0
32.0	4.6	4.3	4.1	4	3.9	3.6	3.4	2.8	2.5	2.8	2.4	2	2.5	2.2	1.8	2			1.6	1.3	32.0
34.0	4.3	4.1	3.9	3.8	3.7	3.5	3.3	2.8	2.4	2.8	2.4	2	2.4	2.1	1.8	2	1.8		1.6	1.3	34.0
36.0	4	3.8	3.6	3.6	3.5	3.3	3.2	2.8	2.4	2.7	2.3	1.9	2.4	2.1	1.8	2	1.7	1.7	1.5	1.3	36.0
38.0	3.8	3.6	3.4	3.4	3.3	3.1	3.1	2.8	2.4	2.6	2.3	1.9	2.3	2.1	1.8	2	1.7	1.6	1.5	1.2	38.0
40.0	3.6	3.4	3.2	3.2	3.1	3	3	2.6	2.3	2.5	2.2	1.8	2.3	2	1.8	2	1.7	1.5	1.5	1.2	40.0
42.0	3.4	3.2	3	3	2.9	2.8	2.9	2.6	2.3	2.4	2.1	1.8	2.2	2	1.7	1.9	1.7	1.5	1.4	1.2	42.0
44.0	3.2	3	2.8	2.8	2.7	2.6	2.7	2.5	2.3	2.3	2.1	1.8	2.2	2	1.7	1.9	1.7	1.5	1.4	1.2	44.0
46.0	3	2.9	2.7	2.6	2.5	2.5	2.5	2.4	2.2	2.2	2	1.7	2.2	1.9	1.7	1.9	1.7	1.5	1.4	1.1	46.0
48.0	2.8	2.7	2.5	2.4	2.4	2.3	2.4	2.3	2.2	2.1	1.9	1.7	2.1	1.9	1.7	1.8	1.7	1.5	1.3	1.1	48.0
50.0	2.6	2.5	2.3	2.3	2.2	2.2	2.3	2.2	2.1	1.9	1.8	1.6	2	1.8	1.6	1.7	1.6	1.4	1.3	1.1	50.0
52.0	2.5	2.4	2.2	2.2	2.1	2.1	2.2	2.1	2	1.8	1.7	1.6	1.9	1.8	1.6	1.6	1.6	1.4	1.3	1.1	52.0
54.0	2.3	2.2	2	2	2	1.9	2	1.9	1.9	1.7	1.6	1.5	1.8	1.7	1.6	1.5	1.5	1.4	1.3	1.1	54.0
56.0	2.2	2.1	1.9	1.9	1.9	1.8	1.9	1.8	1.8	1.6	1.5	1.5	1.7	1.6	1.5	1.4	1.4	1.3	1.2	1.1	56.0
58.0	1.5	2	1.8	1.8	1.8	1.7	1.8	1.7	1.7	1.5	1.4	1.4	1.6	1.5	1.4	1.3	1.3	1.2	1.2	1	58.0
60.0	1.3	1.4	1.7	1.7	1.6	1.6	1.7	1.6	1.6	1.4	1.3	1.3	1.5	1.4	1.3	1.2	1.2	1.2	1.1	1	60.0
62.0		1.1	1.5	1.5	1.5	1.5	1.5	1.5	1.5	1.3	1.2	1.2	1.4	1.3	1.2	1.1	1.1	1.1	1	1	62.0
64.0			1.2	1.3	1.3	1.3	1.3	1.4	1.4	1.2	1.1	1.1	1.3	1.2	1.2	1.1	1.1	1	0.9	0.9	64.0
66.0					1.2	1.2		1.3	1.3	1.1	1	1	1.2	1.2	1.1	1	1	1			66.0
68.0									1.2	1	1	1	1.1	1.1	1.1	1	1	1			68.0
70.0										0.9	0.9			1	1	1	0.9	0.9			70.0
72.0																					72.0
74.0																					74.0
76.0																					76.0
78.0																					78.0
80.0																					80.0
82.0																					82.0
84.0																					84.0
86.0																					86.0
Reeving																					Reeving
Hook																					Hook

Note:

- ① Telescoping combination of 78.1 m boom length: 3333332
- ② Telescoping combination of 83 m boom length: 3333333

Table 9-4 Main boom + Jib

Unit: t

Outriggers completely extended, with 36 tons counterweight, counterweight moved backwards, with the 5 <sup>th</sup> outrigger extended, over full range																					
Working radius (m)	Main boom (m) + Jib (m)																			Working radius (m)	
	78.1			83			78.1			83			78.1			83			78.1		83
	10.4			10.4			17.5			17.5			25.5			25.5			33.5		33.5
	0°	15°	30°	0°	15°	30°	0°	15°	30°	0°	15°	30°	0°	15°	30°	0°	15°	30°	0°		0°
20.0																					20.0
22.0	5.5																				22.0
24.0	5.5	5		4.5																	24.0
26.0	5.5	5	4.5	4.5	4.2		3.6														26.0
28.0	5.2	4.9	4.5	4.4	4.2	3.8	3.6	2.8		2.8				2.5							28.0
30.0	4.9	4.6	4.4	4.2	4.1	3.8	3.5	2.8	2.5	2.8	2.4		2.5	2.2					1.6		30.0
32.0	4.6	4.3	4.1	4	3.9	3.6	3.4	2.8	2.5	2.8	2.4	2	2.5	2.2	1.8	2			1.6	1.3	32.0
34.0	4.3	4.1	3.9	3.8	3.7	3.5	3.3	2.8	2.4	2.8	2.4	2	2.4	2.1	1.8	2	1.8		1.6	1.3	34.0
36.0	4	3.8	3.6	3.6	3.5	3.3	3.2	2.8	2.4	2.7	2.3	1.9	2.4	2.1	1.8	2	1.7	1.7	1.5	1.3	36.0
38.0	3.8	3.6	3.4	3.4	3.3	3.1	3.1	2.8	2.4	2.6	2.3	1.9	2.3	2.1	1.8	2	1.7	1.6	1.5	1.2	38.0
40.0	3.6	3.4	3.2	3.2	3.1	3	3	2.6	2.3	2.5	2.2	1.8	2.3	2	1.8	2	1.7	1.5	1.5	1.2	40.0
42.0	3.4	3.2	3	3	2.9	2.8	2.9	2.6	2.3	2.4	2.1	1.8	2.2	2	1.7	1.9	1.7	1.5	1.4	1.2	42.0
44.0	3.2	3	2.8	2.8	2.7	2.6	2.7	2.5	2.3	2.3	2.1	1.8	2.2	2	1.7	1.9	1.7	1.5	1.4	1.2	44.0
46.0	3	2.9	2.7	2.6	2.5	2.5	2.5	2.4	2.2	2.2	2	1.7	2.2	1.9	1.7	1.9	1.7	1.5	1.4	1.1	46.0
48.0	2.8	2.7	2.5	2.4	2.4	2.3	2.4	2.3	2.2	2.1	1.9	1.7	2.1	1.9	1.7	1.8	1.7	1.5	1.3	1.1	48.0
50.0	1.8	2.5	2.3	2.3	2.2	2.2	2.3	2.2	2.1	1.9	1.8	1.6	2	1.8	1.6	1.7	1.6	1.4	1.3	1.1	50.0
52.0	1.5	1.7	2.2	2.2	2.1	2.1	2.2	2.1	2	1.8	1.7	1.6	1.9	1.8	1.6	1.6	1.6	1.4	1.3	1.1	52.0
54.0	1.2	1.4	1.5	1.5	2	1.9	2	1.9	1.9	1.7	1.6	1.5	1.8	1.7	1.6	1.5	1.5	1.4	1.3	1.1	54.0
56.0		1.0	1.2	1.2	1.4	1.8	1.4	1.8	1.8	1.6	1.5	1.5	1.7	1.6	1.5	1.4	1.4	1.3	1.2	1.1	56.0
58.0					1.1	1.2	1.0	1.7	1.7	1.5	1.4	1.4	1.6	1.5	1.4	1.3	1.3	1.2	1.2	1	58.0
60.0								1.0	1.6	1.0	1.3	1.3	1.0	1.4	1.3	1.2	1.2	1.2	1.1	1	60.0
62.0											1.2	1.2		1.3	1.2	1.1	1.1	1.1	1	1	62.0
64.0											1.1	1.1			1.2		1.1	1		0.9	64.0
66.0																	1	1			66.0
68.0																					68.0
70.0																					70.0
72.0																					72.0
74.0																					74.0
76.0																					76.0
78.0																					78.0
80.0																					80.0
82.0																					82.0
84.0																					84.0
86.0																					86.0
Reeving																					Reeving
Hook																					Hook

Note:

- ① Telescoping combination of 78.1 m boom length: 3333332
- ② Telescoping combination of 83 m boom length: 3333333

Table 9-5 Main boom + Jib

Unit: t

Outriggers completely extended, with 27 tons counterweight, counterweight moved backwards, with the 5 <sup>th</sup> outrigger extended, over full range																					
Working radius (m)	Main boom (m) + Jib (m)																			Working radius (m)	
	78.1			83			78.1			83			78.1			83			78.1		83
	10.4			10.4			17.5			17.5			25.5			25.5			33.5		33.5
	0°	15°	30°	0°	15°	30°	0°	15°	30°	0°	15°	30°	0°	15°	30°	0°	15°	30°	0°		0°
20.0																					20.0
22.0	5.5																				22.0
24.0	5.5	5		4.5																	24.0
26.0	5.5	5	4.5	4.5	4.2		3.6														26.0
28.0	5.2	4.9	4.5	4.4	4.2	3.8	3.6	2.8		2.8				2.5							28.0
30.0	4.9	4.6	4.4	4.2	4.1	3.8	3.5	2.8	2.5	2.8	2.4		2.5	2.2					1.6		30.0
32.0	4.6	4.3	4.1	4	3.9	3.6	3.4	2.8	2.5	2.8	2.4	2	2.5	2.2	1.8	2			1.6	1.3	32.0
34.0	4.3	4.1	3.9	3.8	3.7	3.5	3.3	2.8	2.4	2.8	2.4	2	2.4	2.1	1.8	2	1.8		1.6	1.3	34.0
36.0	4	3.8	3.6	3.6	3.5	3.3	3.2	2.8	2.4	2.7	2.3	1.9	2.4	2.1	1.8	2	1.7	1.7	1.5	1.3	36.0
38.0	3.8	3.6	3.4	3.4	3.3	3.1	3.1	2.8	2.4	2.6	2.3	1.9	2.3	2.1	1.8	2	1.7	1.6	1.5	1.2	38.0
40.0	2.9	3.4	3.2	3.2	3.1	3	3	2.6	2.3	2.5	2.2	1.8	2.3	2	1.8	2	1.7	1.5	1.5	1.2	40.0
42.0	2.4	3.2	3	3	2.9	2.8	2.9	2.6	2.3	2.4	2.1	1.8	2.2	2	1.7	1.9	1.7	1.5	1.4	1.2	42.0
44.0	1.8	2.2	2.8	2.3	2.7	2.6	2.7	2.5	2.3	2.3	2.1	1.8	2.2	2	1.7	1.9	1.7	1.5	1.4	1.2	44.0
46.0	1.4	1.7	1.9	1.8	2.5	2.5	2.5	2.4	2.2	2.2	2	1.7	2.2	1.9	1.7	1.9	1.7	1.5	1.4	1.1	46.0
48.0	1.1	1.4	1.5	1.4	1.7	2.3	2.4	2.3	2.2	2.1	1.9	1.7	2.1	1.9	1.7	1.8	1.7	1.5	1.3	1.1	48.0
50.0		1.0	1.2	1.1	1.3	1.4	1.5	2.2	2.1	1.9	1.8	1.6	1.5	1.8	1.6	1.7	1.6	1.4	1.3	1.1	50.0
52.0					1.0	1.1	1.2	1.6	2	1.8	1.7	1.6	1.2	1.8	1.6	1.6	1.6	1.4	1.3	1.1	52.0
54.0								1.3	1.9	1.2	1.6	1.5		1.3	1.6	1.5	1.5	1.4		1.1	54.0
56.0									1.3		1.5	1.5			1.5		1.4	1.3		1.1	56.0
58.0												1.4						1.2			58.0
60.0																					60.0
62.0																					62.0
64.0																					64.0
66.0																					66.0
68.0																					68.0
70.0																					70.0
72.0																					72.0
74.0																					74.0
76.0																					76.0
78.0																					78.0
80.0																					80.0
82.0																					82.0
84.0																					84.0
86.0																					86.0
Reeving																					Reeving
Hook																					Hook

Note:

- ① Telescoping combination of 78.1 m boom length: 3333332
- ② Telescoping combination of 83 m boom length: 3333333

Table 9-6 Main boom + Jib

Unit: t

Outriggers completely extended, with 18 tons counterweight, counterweight moved backwards, with the 5 <sup>th</sup> outrigger extended, over full range																					
Working radius (m)	Main boom (m) + Jib (m)																			Working radius (m)	
	78.1			83			78.1			83			78.1			83			78.1		83
	10.4			10.4			17.5			17.5			25.5			25.5			33.5		33.5
	0°	15°	30°	0°	15°	30°	0°	15°	30°	0°	15°	30°	0°	15°	30°	0°	15°	30°	0°		0°
20.0																					20.0
22.0	5.5																				22.0
24.0	5.5	5		4.5																	24.0
26.0	5.5	5	4.5	4.5	4.2		3.6														26.0
28.0	5.2	4.9	4.5	4.4	4.2	3.8	3.6	2.8		2.8				2.5							28.0
30.0	4.9	4.6	4.4	4.2	4.1	3.8	3.5	2.8	2.5	2.8	2.4		2.5	2.2					1.6		30.0
32.0	3.8	4.3	4.1	4	3.9	3.6	3.4	2.8	2.5	2.8	2.4	2	2.5	2.2	1.8	2			1.6	1.3	32.0
34.0	3.1	4.1	3.9	3.8	3.7	3.5	3.3	2.8	2.4	2.8	2.4	2	2.4	2.1	1.8	2	1.8		1.6	1.3	34.0
36.0	2.5	2.9	3.6	2.9	3.5	3.3	3.2	2.8	2.4	2.7	2.3	1.9	2.4	2.1	1.8	2	1.7	1.7	1.5	1.3	36.0
38.0	1.8	2.3	2.6	2.3	2.6	3.1	2.6	2.8	2.4	2.6	2.3	1.9	2.3	2.1	1.8	2	1.7	1.6	1.5	1.2	38.0
40.0	1.4	1.7	1.9	1.7	2.0	2.4	1.8	2.6	2.3	2.5	2.2	1.8	2.3	2	1.8	2	1.7	1.5	1.5	1.2	40.0
42.0		1.2	1.4	1.3	1.5	1.8	1.4	2.0	2.3	1.8	2.1	1.8	2.2	2	1.7	1.9	1.7	1.5	1.4	1.2	42.0
44.0			1.0		1.1	1.4	1.0	1.5	2.3	1.4	2.1	1.8	1.4	2	1.7	1.9	1.7	1.5	1.4	1.2	44.0
46.0								1.1	1.5		1.4	1.7		1.9	1.7	1.3	1.7	1.5	1.0	1.1	46.0
48.0									1.2		1.1	1.7		1.1	1.7		1.7	1.5		1.1	48.0
50.0												1.1			1.1		1.0	1.4			50.0
52.0																		1.0			52.0
54.0																					54.0
56.0																					56.0
58.0																					58.0
60.0																					60.0
62.0																					62.0
64.0																					64.0
66.0																					66.0
68.0																					68.0
70.0																					70.0
72.0																					72.0
74.0																					74.0
76.0																					76.0
78.0																					78.0
80.0																					80.0
82.0																					82.0
84.0																					84.0
86.0																					86.0
Reeving																					Reeving
Hook																					Hook

Note:

- ① Telescoping combination of 78.1 m boom length: 3333332
- ② Telescoping combination of 83 m boom length: 3333333

Table 9-7 Main boom + Jib

Unit: t

Outriggers completely extended, with 9 tons counterweight, counterweight moved backwards, with the 5 <sup>th</sup> outrigger extended, over full range																					
Working radius (m)	Main boom (m) + Jib (m)																			Working radius (m)	
	78.1			83			78.1			83			78.1			83			78.1		83
	10.4			10.4			17.5			17.5			25.5			25.5			33.5		33.5
	0°	15°	30°	0°	15°	30°	0°	15°	30°	0°	15°	30°	0°	15°	30°	0°	15°	30°	0°		0°
20.0																					20.0
22.0	5.5																				22.0
24.0	5.5	5		4.5																	24.0
26.0	4.2	5	4.5	4.5	4.2		3.6														26.0
28.0	3.2	3.8	4.5	3.7	4.2	3.8	3.6	2.8		2.8				2.5							28.0
30.0	2.4	3.0	3.4	2.9	3.4	3.8	3.5	2.8	2.5	2.8	2.4		2.5	2.2					1.6		30.0
32.0	1.7	2.2	2.6	2.0	2.6	3.6	2.4	2.8	2.5	2.8	2.4	2	2.5	2.2	1.8	2			1.6	1.3	32.0
34.0	1.1	1.5	1.8	1.4	1.9	2.4	1.7	2.8	2.4	2.2	2.4	2	2.4	2.1	1.8	2	1.8		1.6	1.3	34.0
36.0		1.0	1.4		1.4	1.7	1.1	1.8	2.4	1.5	2.3	1.9	1.5	2.1	1.8	2	1.7	1.7	1.5	1.3	36.0
38.0						1.2		1.4	2.4	1.0	1.7	1.9		2.1	1.8	1.4	1.7	1.6		1.2	38.0
40.0									1.4		1.2	1.8		1.3	1.8		1.7	1.5			40.0
42.0												1.3			1.7		1.1	1.5			42.0
44.0																		1.5			44.0
46.0																					46.0
48.0																					48.0
50.0																					50.0
52.0																					52.0
54.0																					54.0
56.0																					56.0
58.0																					58.0
60.0																					60.0
62.0																					62.0
64.0																					64.0
66.0																					66.0
68.0																					68.0
70.0																					70.0
72.0																					72.0
74.0																					74.0
76.0																					76.0
78.0																					78.0
80.0																					80.0
82.0																					82.0
84.0																					84.0
86.0																					86.0
Reeving																					Reeving
Hook																					Hook

Note:

- ① Telescoping combination of 78.1 m boom length: 3333332
- ② Telescoping combination of 83 m boom length: 3333333



Table 9-8 Main boom + Jib

Unit: t

Outriggers completely extended, with 59 tons counterweight, counterweight front position, with the 5 <sup>th</sup> outrigger extended, over full range																					
Working radius (m)	Main boom (m) + Jib (m)																			Working radius (m)	
	78.1			83			78.1			83			78.1			83			78.1		83
	10.4			10.4			17.5			17.5			25.5			25.5			33.5		33.5
	0°	15°	30°	0°	15°	30°	0°	15°	30°	0°	15°	30°	0°	15°	30°	0°	15°	30°	0°		0°
20.0																				20.0	
22.0	5.5																			22.0	
24.0	5.5	5		4.5																24.0	
26.0	5.5	5	4.5	4.5	4.2		3.6													26.0	
28.0	5.2	4.9	4.5	4.4	4.2	3.8	3.6	2.8		2.8				2.5						28.0	
30.0	4.9	4.6	4.4	4.2	4.1	3.8	3.5	2.8	2.5	2.8	2.4		2.5	2.2					1.6	30.0	
32.0	4.6	4.3	4.1	4	3.9	3.6	3.4	2.8	2.5	2.8	2.4	2	2.5	2.2	1.8	2			1.6	1.3	32.0
34.0	4.3	4.1	3.9	3.8	3.7	3.5	3.3	2.8	2.4	2.8	2.4	2	2.4	2.1	1.8	2	1.8		1.6	1.3	34.0
36.0	4	3.8	3.6	3.6	3.5	3.3	3.2	2.8	2.4	2.7	2.3	1.9	2.4	2.1	1.8	2	1.7	1.7	1.5	1.3	36.0
38.0	3.8	3.6	3.4	3.4	3.3	3.1	3.1	2.8	2.4	2.6	2.3	1.9	2.3	2.1	1.8	2	1.7	1.6	1.5	1.2	38.0
40.0	3.6	3.4	3.2	3.2	3.1	3	3	2.6	2.3	2.5	2.2	1.8	2.3	2	1.8	2	1.7	1.5	1.5	1.2	40.0
42.0	3.4	3.2	3	3	2.9	2.8	2.9	2.6	2.3	2.4	2.1	1.8	2.2	2	1.7	1.9	1.7	1.5	1.4	1.2	42.0
44.0	3.2	3	2.8	2.8	2.7	2.6	2.7	2.5	2.3	2.3	2.1	1.8	2.2	2	1.7	1.9	1.7	1.5	1.4	1.2	44.0
46.0	3	2.9	2.7	2.6	2.5	2.5	2.5	2.4	2.2	2.2	2	1.7	2.2	1.9	1.7	1.9	1.7	1.5	1.4	1.1	46.0
48.0	2.8	2.7	2.5	2.4	2.4	2.3	2.4	2.3	2.2	2.1	1.9	1.7	2.1	1.9	1.7	1.8	1.7	1.5	1.3	1.1	48.0
50.0	2.6	2.5	2.3	2.3	2.2	2.2	2.3	2.2	2.1	1.9	1.8	1.6	2	1.8	1.6	1.7	1.6	1.4	1.3	1.1	50.0
52.0	2.5	2.4	2.2	2.2	2.1	2.1	2.2	2.1	2	1.8	1.7	1.6	1.9	1.8	1.6	1.6	1.6	1.4	1.3	1.1	52.0
54.0	2.3	2.2	2	2	2	1.9	2	1.9	1.9	1.7	1.6	1.5	1.8	1.7	1.6	1.5	1.5	1.4	1.3	1.1	54.0
56.0	2.2	2.1	1.9	1.9	1.9	1.8	1.9	1.8	1.8	1.6	1.5	1.5	1.7	1.6	1.5	1.4	1.4	1.3	1.2	1.1	56.0
58.0	2.1	2	1.8	1.8	1.8	1.7	1.8	1.7	1.7	1.5	1.4	1.4	1.6	1.5	1.4	1.3	1.3	1.2	1.2	1	58.0
60.0	1.8	1.8	1.7	1.7	1.6	1.6	1.7	1.6	1.6	1.4	1.3	1.3	1.5	1.4	1.3	1.2	1.2	1.2	1.1	1	60.0
62.0	1.5	1.5	1.5	1.5	1.5	1.5	1.5	1.5	1.5	1.3	1.2	1.2	1.4	1.3	1.2	1.1	1.1	1.1	1	1	62.0
64.0	1.2	1.2	1.2	1.3	1.3	1.3	1.3	1.4	1.4	1.2	1.1	1.1	1.3	1.2	1.2	1.1	1.1	1	0.9	0.9	64.0
66.0	1.1	1.1	1.1	1.2	1.2	1.2	1.3	1.3	1.3	1.1	1	1	1.2	1.2	1.1	1	1	1			66.0
68.0	1	1	1	1.1	1.1	1.1	1.1	1.2	1.2	1	1	1	1.1	1.1	1.1	1	1	1			68.0
70.0				1	1	1	1	1.1	1.1	1	0.9	0.9	1	1	1	1	0.9	0.9			70.0
72.0								1	1	0.9			1	1	1	0.9					72.0
74.0													0.9	0.9	0.9						74.0
76.0																					76.0
78.0																					78.0
80.0																					80.0
82.0																					82.0
84.0																					84.0
86.0																					86.0
Reeving																					Reeving
Hook																					Hook

Note:

- ① Telescoping combination of 78.1 m boom length: 3333332
- ② Telescoping combination of 83 m boom length: 3333333

Table 9-9 Main boom + Jib

Unit: t

Outriggers completely extended, with 50 tons counterweight, counterweight front position, with the 5 <sup>th</sup> outrigger extended, over full range																					
Working radius (m)	Main boom (m) + Jib (m)																			Working radius (m)	
	78.1			83			78.1			83			78.1			83			78.1		83
	10.4			10.4			17.5			17.5			25.5			25.5			33.5		33.5
	0°	15°	30°	0°	15°	30°	0°	15°	30°	0°	15°	30°	0°	15°	30°	0°	15°	30°	0°		0°
20.0																					20.0
22.0	5.5																				22.0
24.0	5.5	5		4.5																	24.0
26.0	5.5	5	4.5	4.5	4.2		3.6														26.0
28.0	5.2	4.9	4.5	4.4	4.2	3.8	3.6	2.8		2.8				2.5							28.0
30.0	4.9	4.6	4.4	4.2	4.1	3.8	3.5	2.8	2.5	2.8	2.4		2.5	2.2					1.6		30.0
32.0	4.6	4.3	4.1	4	3.9	3.6	3.4	2.8	2.5	2.8	2.4	2	2.5	2.2	1.8	2			1.6	1.3	32.0
34.0	4.3	4.1	3.9	3.8	3.7	3.5	3.3	2.8	2.4	2.8	2.4	2	2.4	2.1	1.8	2	1.8		1.6	1.3	34.0
36.0	4	3.8	3.6	3.6	3.5	3.3	3.2	2.8	2.4	2.7	2.3	1.9	2.4	2.1	1.8	2	1.7	1.7	1.5	1.3	36.0
38.0	3.8	3.6	3.4	3.4	3.3	3.1	3.1	2.8	2.4	2.6	2.3	1.9	2.3	2.1	1.8	2	1.7	1.6	1.5	1.2	38.0
40.0	3.6	3.4	3.2	3.2	3.1	3	3	2.6	2.3	2.5	2.2	1.8	2.3	2	1.8	2	1.7	1.5	1.5	1.2	40.0
42.0	3.4	3.2	3	3	2.9	2.8	2.9	2.6	2.3	2.4	2.1	1.8	2.2	2	1.7	1.9	1.7	1.5	1.4	1.2	42.0
44.0	3.2	3	2.8	2.8	2.7	2.6	2.7	2.5	2.3	2.3	2.1	1.8	2.2	2	1.7	1.9	1.7	1.5	1.4	1.2	44.0
46.0	3	2.9	2.7	2.6	2.5	2.5	2.5	2.4	2.2	2.2	2	1.7	2.2	1.9	1.7	1.9	1.7	1.5	1.4	1.1	46.0
48.0	2.8	2.7	2.5	2.4	2.4	2.3	2.4	2.3	2.2	2.1	1.9	1.7	2.1	1.9	1.7	1.8	1.7	1.5	1.3	1.1	48.0
50.0	2.6	2.5	2.3	2.3	2.2	2.2	2.3	2.2	2.1	1.9	1.8	1.6	2	1.8	1.6	1.7	1.6	1.4	1.3	1.1	50.0
52.0	2.5	2.4	2.2	2.2	2.1	2.1	2.2	2.1	2	1.8	1.7	1.6	1.9	1.8	1.6	1.6	1.6	1.4	1.3	1.1	52.0
54.0	2.3	2.2	2	2	2	1.9	2	1.9	1.9	1.7	1.6	1.5	1.8	1.7	1.6	1.5	1.5	1.4	1.3	1.1	54.0
56.0	2.2	2.1	1.9	1.9	1.9	1.8	1.9	1.8	1.8	1.6	1.5	1.5	1.7	1.6	1.5	1.4	1.4	1.3	1.2	1.1	56.0
58.0	2.1	2	1.8	1.8	1.8	1.7	1.8	1.7	1.7	1.5	1.4	1.4	1.6	1.5	1.4	1.3	1.3	1.2	1.2	1	58.0
60.0	1.8	1.8	1.7	1.7	1.6	1.6	1.7	1.6	1.6	1.4	1.3	1.3	1.5	1.4	1.3	1.2	1.2	1.2	1.1	1	60.0
62.0	1.1	1.5	1.5	1.5	1.5	1.5	1.5	1.5	1.5	1.3	1.2	1.2	1.4	1.3	1.2	1.1	1.1	1.1	1	1	62.0
64.0		1.2	1.2	1.3	1.3	1.3	1.3	1.4	1.4	1.2	1.1	1.1	1.3	1.2	1.2	1.1	1.1	1	0.9	0.9	64.0
66.0				1.2	1.2	1.2	1.3	1.3	1.3	1.1	1	1	1.2	1.2	1.1	1	1	1			66.0
68.0						1.1		1.2	1.2	1	1	1	1.1	1.1	1.1	1	1	1			68.0
70.0									1.1	1	0.9	0.9		1	1	1	0.9	0.9			70.0
72.0															1	0.9					72.0
74.0																					74.0
76.0																					76.0
78.0																					78.0
80.0																					80.0
82.0																					82.0
84.0																					84.0
86.0																					86.0
Reeving																					Reeving
Hook																					Hook

Note:

- ① Telescoping combination of 78.1 m boom length: 3333332
- ② Telescoping combination of 83 m boom length: 3333333

Table 9-10 Main boom + Jib

Unit: t

Outriggers completely extended, with 45 tons counterweight, counterweight front position, with the 5 <sup>th</sup> outrigger extended, over full range																					
Working radius (m)	Main boom (m) + Jib (m)																			Working radius (m)	
	78.1			83			78.1			83			78.1			83			78.1		83
	10.4			10.4			17.5			17.5			25.5			25.5			33.5		33.5
	0°	15°	30°	0°	15°	30°	0°	15°	30°	0°	15°	30°	0°	15°	30°	0°	15°	30°	0°		0°
20.0																					20.0
22.0	5.5																				22.0
24.0	5.5	5		4.5																	24.0
26.0	5.5	5	4.5	4.5	4.2		3.6														26.0
28.0	5.2	4.9	4.5	4.4	4.2	3.8	3.6	2.8		2.8				2.5							28.0
30.0	4.9	4.6	4.4	4.2	4.1	3.8	3.5	2.8	2.5	2.8	2.4		2.5	2.2					1.6		30.0
32.0	4.6	4.3	4.1	4	3.9	3.6	3.4	2.8	2.5	2.8	2.4	2	2.5	2.2	1.8	2			1.6	1.3	32.0
34.0	4.3	4.1	3.9	3.8	3.7	3.5	3.3	2.8	2.4	2.8	2.4	2	2.4	2.1	1.8	2	1.8		1.6	1.3	34.0
36.0	4	3.8	3.6	3.6	3.5	3.3	3.2	2.8	2.4	2.7	2.3	1.9	2.4	2.1	1.8	2	1.7	1.7	1.5	1.3	36.0
38.0	3.8	3.6	3.4	3.4	3.3	3.1	3.1	2.8	2.4	2.6	2.3	1.9	2.3	2.1	1.8	2	1.7	1.6	1.5	1.2	38.0
40.0	3.6	3.4	3.2	3.2	3.1	3	3	2.6	2.3	2.5	2.2	1.8	2.3	2	1.8	2	1.7	1.5	1.5	1.2	40.0
42.0	3.4	3.2	3	3	2.9	2.8	2.9	2.6	2.3	2.4	2.1	1.8	2.2	2	1.7	1.9	1.7	1.5	1.4	1.2	42.0
44.0	3.2	3	2.8	2.8	2.7	2.6	2.7	2.5	2.3	2.3	2.1	1.8	2.2	2	1.7	1.9	1.7	1.5	1.4	1.2	44.0
46.0	3	2.9	2.7	2.6	2.5	2.5	2.5	2.4	2.2	2.2	2	1.7	2.2	1.9	1.7	1.9	1.7	1.5	1.4	1.1	46.0
48.0	2.8	2.7	2.5	2.4	2.4	2.3	2.4	2.3	2.2	2.1	1.9	1.7	2.1	1.9	1.7	1.8	1.7	1.5	1.3	1.1	48.0
50.0	2.6	2.5	2.3	2.3	2.2	2.2	2.3	2.2	2.1	1.9	1.8	1.6	2	1.8	1.6	1.7	1.6	1.4	1.3	1.1	50.0
52.0	2.5	2.4	2.2	2.2	2.1	2.1	2.2	2.1	2	1.8	1.7	1.6	1.9	1.8	1.6	1.6	1.6	1.4	1.3	1.1	52.0
54.0	2.3	2.2	2	2	2	1.9	2	1.9	1.9	1.7	1.6	1.5	1.8	1.7	1.6	1.5	1.5	1.4	1.3	1.1	54.0
56.0	1.5	2.1	1.9	1.9	1.9	1.8	1.9	1.8	1.8	1.6	1.5	1.5	1.7	1.6	1.5	1.4	1.4	1.3	1.2	1.1	56.0
58.0	1.2	1.4	1.8	1.8	1.8	1.7	1.8	1.7	1.7	1.5	1.4	1.4	1.6	1.5	1.4	1.3	1.3	1.2	1.2	1	58.0
60.0		1.1	1.2	1.3	1.6	1.6	1.7	1.6	1.6	1.4	1.3	1.3	1.5	1.4	1.3	1.2	1.2	1.2	1.1	1	60.0
62.0				1.0	1.1	1.5	1.1	1.5	1.5	1.3	1.2	1.2	1.4	1.3	1.2	1.1	1.1	1.1	1	1	62.0
64.0								1.4	1.4	1.2	1.1	1.1	1.3	1.2	1.2	1.1	1.1	1	0.9	0.9	64.0
66.0									1.3	1.1	1	1		1.2	1.1	1	1	1			66.0
68.0											1	1		1.1	1.1	1	1	1			68.0
70.0																		0.9	0.9		70.0
72.0																					72.0
74.0																					74.0
76.0																					76.0
78.0																					78.0
80.0																					80.0
82.0																					82.0
84.0																					84.0
86.0																					86.0
Reeving																					Reeving
Hook																					Hook

Note:

- ① Telescoping combination of 78.1 m boom length: 3333332
- ② Telescoping combination of 83 m boom length: 3333333

Table 9-11 Main boom + Jib

Unit: t

Outriggers completely extended, with 36 tons counterweight, counterweight front position, with the 5 <sup>th</sup> outrigger extended, over full range																					
Working radius (m)	Main boom (m) + Jib (m)																			Working radius (m)	
	78.1			83			78.1			83			78.1			83			78.1		83
	10.4			10.4			17.5			17.5			25.5			25.5			33.5		33.5
	0°	15°	30°	0°	15°	30°	0°	15°	30°	0°	15°	30°	0°	15°	30°	0°	15°	30°	0°		0°
20.0																					20.0
22.0	5.5																				22.0
24.0	5.5	5		4.5																	24.0
26.0	5.5	5	4.5	4.5	4.2		3.6														26.0
28.0	5.2	4.9	4.5	4.4	4.2	3.8	3.6	2.8		2.8				2.5							28.0
30.0	4.9	4.6	4.4	4.2	4.1	3.8	3.5	2.8	2.5	2.8	2.4		2.5	2.2					1.6		30.0
32.0	4.6	4.3	4.1	4	3.9	3.6	3.4	2.8	2.5	2.8	2.4	2	2.5	2.2	1.8	2			1.6	1.3	32.0
34.0	4.3	4.1	3.9	3.8	3.7	3.5	3.3	2.8	2.4	2.8	2.4	2	2.4	2.1	1.8	2	1.8		1.6	1.3	34.0
36.0	4	3.8	3.6	3.6	3.5	3.3	3.2	2.8	2.4	2.7	2.3	1.9	2.4	2.1	1.8	2	1.7	1.7	1.5	1.3	36.0
38.0	3.8	3.6	3.4	3.4	3.3	3.1	3.1	2.8	2.4	2.6	2.3	1.9	2.3	2.1	1.8	2	1.7	1.6	1.5	1.2	38.0
40.0	3.6	3.4	3.2	3.2	3.1	3	3	2.6	2.3	2.5	2.2	1.8	2.3	2	1.8	2	1.7	1.5	1.5	1.2	40.0
42.0	3.4	3.2	3	3	2.9	2.8	2.9	2.6	2.3	2.4	2.1	1.8	2.2	2	1.7	1.9	1.7	1.5	1.4	1.2	42.0
44.0	3.2	3	2.8	2.8	2.7	2.6	2.7	2.5	2.3	2.3	2.1	1.8	2.2	2	1.7	1.9	1.7	1.5	1.4	1.2	44.0
46.0	2.5	2.9	2.7	2.6	2.5	2.5	2.5	2.4	2.2	2.2	2	1.7	2.2	1.9	1.7	1.9	1.7	1.5	1.4	1.1	46.0
48.0	1.9	2.7	2.5	2.4	2.4	2.3	2.4	2.3	2.2	2.1	1.9	1.7	2.1	1.9	1.7	1.8	1.7	1.5	1.3	1.1	48.0
50.0	1.6	1.8	2.3	2.3	2.2	2.2	2.3	2.2	2.1	1.9	1.8	1.6	2	1.8	1.6	1.7	1.6	1.4	1.3	1.1	50.0
52.0	1.2	1.4	1.6	1.5	2.1	2.1	1.7	2.1	2	1.8	1.7	1.6	1.9	1.8	1.6	1.6	1.6	1.4	1.3	1.1	52.0
54.0		1.1	1.3	1.3	1.4	1.9	1.4	1.9	1.9	1.7	1.6	1.5	1.8	1.7	1.6	1.5	1.5	1.4	1.3	1.1	54.0
56.0					1.1	1.3	1.0	1.8	1.8	1.6	1.5	1.5	1.7	1.6	1.5	1.4	1.4	1.3	1.2	1.1	56.0
58.0								1.1	1.7	1.1	1.4	1.4	1.0	1.5	1.4	1.3	1.3	1.2	1.2	1	58.0
60.0									1.0		1.3	1.3		1.4	1.3	1.2	1.2	1.2	1.1	1	60.0
62.0												1.2				1.2		1.1	1.1		62.0
64.0																	1.1	1			64.0
66.0																					66.0
68.0																					68.0
70.0																					70.0
72.0																					72.0
74.0																					74.0
76.0																					76.0
78.0																					78.0
80.0																					80.0
82.0																					82.0
84.0																					84.0
86.0																					86.0
Reeving																					Reeving
Hook																					Hook

Note:

- ① Telescoping combination of 78.1 m boom length: 3333332
- ② Telescoping combination of 83 m boom length: 3333333

Table 9-12 Main boom + Jib

Unit: t

Outriggers completely extended, with 36 tons counterweight, counterweight front position, with the 5 <sup>th</sup> outrigger extended, over full range																					
Working radius (m)	Main boom (m) + Jib (m)																			Working radius (m)	
	78.1			83			78.1			83			78.1			83			78.1		83
	10.4			10.4			17.5			17.5			25.5			25.5			33.5		33.5
	0°	15°	30°	0°	15°	30°	0°	15°	30°	0°	15°	30°	0°	15°	30°	0°	15°	30°	0°		0°
20.0																					20.0
22.0	5.5																				22.0
24.0	5.5	5		4.5																	24.0
26.0	5.5	5	4.5	4.5	4.2		3.6														26.0
28.0	5.2	4.9	4.5	4.4	4.2	3.8	3.6	2.8		2.8				2.5							28.0
30.0	4.9	4.6	4.4	4.2	4.1	3.8	3.5	2.8	2.5	2.8	2.4		2.5	2.2					1.6		30.0
32.0	4.6	4.3	4.1	4	3.9	3.6	3.4	2.8	2.5	2.8	2.4	2	2.5	2.2	1.8	2			1.6	1.3	32.0
34.0	4.3	4.1	3.9	3.8	3.7	3.5	3.3	2.8	2.4	2.8	2.4	2	2.4	2.1	1.8	2	1.8		1.6	1.3	34.0
36.0	4	3.8	3.6	3.6	3.5	3.3	3.2	2.8	2.4	2.7	2.3	1.9	2.4	2.1	1.8	2	1.7	1.7	1.5	1.3	36.0
38.0	3.8	3.6	3.4	3.4	3.3	3.1	3.1	2.8	2.4	2.6	2.3	1.9	2.3	2.1	1.8	2	1.7	1.6	1.5	1.2	38.0
40.0	3.6	3.4	3.2	3.2	3.1	3	3	2.6	2.3	2.5	2.2	1.8	2.3	2	1.8	2	1.7	1.5	1.5	1.2	40.0
42.0	3.4	3.2	3	3	2.9	2.8	2.9	2.6	2.3	2.4	2.1	1.8	2.2	2	1.7	1.9	1.7	1.5	1.4	1.2	42.0
44.0	3.2	3	2.8	2.8	2.7	2.6	2.7	2.5	2.3	2.3	2.1	1.8	2.2	2	1.7	1.9	1.7	1.5	1.4	1.2	44.0
46.0	2.5	2.9	2.7	2.6	2.5	2.5	2.5	2.4	2.2	2.2	2	1.7	2.2	1.9	1.7	1.9	1.7	1.5	1.4	1.1	46.0
48.0	1.9	2.7	2.5	2.4	2.4	2.3	2.4	2.3	2.2	2.1	1.9	1.7	2.1	1.9	1.7	1.8	1.7	1.5	1.3	1.1	48.0
50.0	1.6	1.8	2.3	2.3	2.2	2.2	2.3	2.2	2.1	1.9	1.8	1.6	2	1.8	1.6	1.7	1.6	1.4	1.3	1.1	50.0
52.0	1.2	1.4	1.6	1.5	2.1	2.1	1.7	2.1	2	1.8	1.7	1.6	1.9	1.8	1.6	1.6	1.6	1.4	1.3	1.1	52.0
54.0		1.1	1.3	1.3	1.4	1.9	1.4	1.9	1.9	1.7	1.6	1.5	1.8	1.7	1.6	1.5	1.5	1.4	1.3	1.1	54.0
56.0					1.1	1.3	1.0	1.8	1.8	1.6	1.5	1.5	1.7	1.6	1.5	1.4	1.4	1.3	1.2	1.1	56.0
58.0								1.1	1.7	1.1	1.4	1.4	1.0	1.5	1.4	1.3	1.3	1.2	1.2	1	58.0
60.0									1.0		1.3	1.3		1.4	1.3	1.2	1.2	1.2	1.1	1	60.0
62.0												1.2				1.2		1.1	1.1		62.0
64.0																	1.1	1			64.0
66.0																					66.0
68.0																					68.0
70.0																					70.0
72.0																					72.0
74.0																					74.0
76.0																					76.0
78.0																					78.0
80.0																					80.0
82.0																					82.0
84.0																					84.0
86.0																					86.0
Reeving																					Reeving
Hook																					Hook

Note:

- ① Telescoping combination of 78.1 m boom length: 3333332
- ② Telescoping combination of 83 m boom length: 3333333

Table 9-13 Main boom + Jib

Unit: t

Outriggers completely extended, with 27 tons counterweight, counterweight front position, with the 5 <sup>th</sup> outrigger extended, over full range																					
Working radius (m)	Main boom (m) + Jib (m)																			Working radius (m)	
	78.1			83			78.1			83			78.1			83			78.1		83
	10.4			10.4			17.5			17.5			25.5			25.5			33.5		33.5
	0°	15°	30°	0°	15°	30°	0°	15°	30°	0°	15°	30°	0°	15°	30°	0°	15°	30°	0°		0°
20.0																					20.0
22.0	5.5																				22.0
24.0	5.5	5		4.5																	24.0
26.0	5.5	5	4.5	4.5	4.2		3.6														26.0
28.0	5.2	4.9	4.5	4.4	4.2	3.8	3.6	2.8		2.8				2.5							28.0
30.0	4.9	4.6	4.4	4.2	4.1	3.8	3.5	2.8	2.5	2.8	2.4		2.5	2.2					1.6		30.0
32.0	4.6	4.3	4.1	4	3.9	3.6	3.4	2.8	2.5	2.8	2.4	2	2.5	2.2	1.8	2			1.6	1.3	32.0
34.0	4.3	4.1	3.9	3.8	3.7	3.5	3.3	2.8	2.4	2.8	2.4	2	2.4	2.1	1.8	2	1.8		1.6	1.3	34.0
36.0	4	3.8	3.6	3.6	3.5	3.3	3.2	2.8	2.4	2.7	2.3	1.9	2.4	2.1	1.8	2	1.7	1.7	1.5	1.3	36.0
38.0	3.1	3.6	3.4	3.4	3.3	3.1	3.1	2.8	2.4	2.6	2.3	1.9	2.3	2.1	1.8	2	1.7	1.6	1.5	1.2	38.0
40.0	2.6	3.4	3.2	3.2	3.1	3	3	2.6	2.3	2.5	2.2	1.8	2.3	2	1.8	2	1.7	1.5	1.5	1.2	40.0
42.0	2.0	2.5	3	3	2.9	2.8	2.9	2.6	2.3	2.4	2.1	1.8	2.2	2	1.7	1.9	1.7	1.5	1.4	1.2	42.0
44.0	1.6	1.8	2.2	1.9	2.7	2.6	2.2	2.5	2.3	2.3	2.1	1.8	2.2	2	1.7	1.9	1.7	1.5	1.4	1.2	44.0
46.0	1.2	1.5	1.7	1.5	1.8	2.5	1.7	2.4	2.2	2.2	2	1.7	2.2	1.9	1.7	1.9	1.7	1.5	1.4	1.1	46.0
48.0		1.1	1.3	1.2	1.4	1.6	1.4	1.8	2.2	2.1	1.9	1.7	2.1	1.9	1.7	1.8	1.7	1.5	1.3	1.1	48.0
50.0					1.1	1.3		1.4	2.1	1.3	1.8	1.6	1.3	1.8	1.6	1.7	1.6	1.4	1.3	1.1	50.0
52.0								1.0	1.4		1.7	1.6		1.4	1.6	1.6	1.6	1.4	1.3	1.1	52.0
54.0									1.0		1.0	1.5		1.0	1.6		1.5	1.4		1.1	54.0
56.0												1.0			1.0		1.0	1.3			56.0
58.0																		1.2			58.0
60.0																					60.0
62.0																					62.0
64.0																					64.0
66.0																					66.0
68.0																					68.0
70.0																					70.0
72.0																					72.0
74.0																					74.0
76.0																					76.0
78.0																					78.0
80.0																					80.0
82.0																					82.0
84.0																					84.0
86.0																					86.0
Reeving																					Reeving
Hook																					Hook

Note:

- ① Telescoping combination of 78.1 m boom length: 3333332
- ② Telescoping combination of 83 m boom length: 3333333

Table 9-14 Main boom + Jib

Unit: t

Outriggers completely extended, with 18 tons counterweight, counterweight front position, with the 5 <sup>th</sup> outrigger extended, over full range																					
Working radius (m)	Main boom (m) + Jib (m)																			Working radius (m)	
	78.1			83			78.1			83			78.1			83			78.1		83
	10.4			10.4			17.5			17.5			25.5			25.5			33.5		33.5
	0°	15°	30°	0°	15°	30°	0°	15°	30°	0°	15°	30°	0°	15°	30°	0°	15°	30°	0°		0°
20.0																					20.0
22.0	5.5																				22.0
24.0	5.5	5		4.5																	24.0
26.0	5.5	5	4.5	4.5	4.2		3.6														26.0
28.0	5.2	4.9	4.5	4.4	4.2	3.8	3.6	2.8		2.8				2.5							28.0
30.0	4.9	4.6	4.4	4.2	4.1	3.8	3.5	2.8	2.5	2.8	2.4		2.5	2.2					1.6		30.0
32.0	3.6	4.3	4.1	4	3.9	3.6	3.4	2.8	2.5	2.8	2.4	2	2.5	2.2	1.8	2			1.6	1.3	32.0
34.0	2.8	3.3	3.9	3.8	3.7	3.5	3.3	2.8	2.4	2.8	2.4	2	2.4	2.1	1.8	2	1.8		1.6	1.3	34.0
36.0	2.2	2.6	3.0	2.6	3.5	3.3	3.2	2.8	2.4	2.7	2.3	1.9	2.4	2.1	1.8	2	1.7	1.7	1.5	1.3	36.0
38.0	1.6	1.9	2.4	1.9	2.5	3.1	2.3	2.8	2.4	2.6	2.3	1.9	2.3	2.1	1.8	2	1.7	1.6	1.5	1.2	38.0
40.0	1.1	1.4	1.8	1.5	1.8	2.2	1.7	2.6	2.3	2.5	2.2	1.8	2.3	2	1.8	2	1.7	1.5	1.5	1.2	40.0
42.0		1.0	1.3	1.0	1.4	1.6	1.2	1.8	2.3	1.6	2.1	1.8	1.6	2	1.7	1.9	1.7	1.5	1.4	1.2	42.0
44.0						1.2		1.4	1.8	1.2	2.1	1.8	1.1	2	1.7	1.9	1.7	1.5	1.4	1.2	44.0
46.0									1.4		1.3	1.7		1.4	1.7	1.1	1.7	1.5		1.1	46.0
48.0									1.0			1.3			1.7		1.3	1.5			48.0
50.0																		1.4			50.0
52.0																					52.0
54.0																					54.0
56.0																					56.0
58.0																					58.0
60.0																					60.0
62.0																					62.0
64.0																					64.0
66.0																					66.0
68.0																					68.0
70.0																					70.0
72.0																					72.0
74.0																					74.0
76.0																					76.0
78.0																					78.0
80.0																					80.0
82.0																					82.0
84.0																					84.0
86.0																					86.0
Reeving																					Reeving
Hook																					Hook

Note:

- ① Telescoping combination of 78.1 m boom length: 3333332
- ② Telescoping combination of 83 m boom length: 3333333

Table 9-15 Main boom + Jib

Unit: t

Outriggers completely extended, with 9 tons counterweight, counterweight front position, with the 5 <sup>th</sup> outrigger extended, over full range																					
Working radius (m)	Main boom (m) + Jib (m)																			Working radius (m)	
	78.1			83			78.1			83			78.1			83			78.1		83
	10.4			10.4			17.5			17.5			25.5			25.5			33.5		33.5
	0°	15°	30°	0°	15°	30°	0°	15°	30°	0°	15°	30°	0°	15°	30°	0°	15°	30°	0°		0°
20.0																					20.0
22.0	5.5																				22.0
24.0	5.5	5		4.5																	24.0
26.0	4.0	5	4.5	4.5	4.2		3.6														26.0
28.0	3.1	3.7	4.5	3.6	4.2	3.8	3.6	2.8		2.8				2.5							28.0
30.0	2.3	2.8	3.2	2.7	3.2	3.8	3.5	2.8	2.5	2.8	2.4		2.5	2.2					1.6		30.0
32.0	1.5	2.0	2.6	1.9	2.6	2.9	2.2	2.8	2.5	2.8	2.4	2	2.5	2.2	1.8	2			1.6	1.3	32.0
34.0	1.0	1.4	1.8	1.4	1.8	2.2	1.5	2.8	2.4	1.9	2.4	2	2.4	2.1	1.8	2	1.8		1.6	1.3	34.0
36.0			1.2		1.3	1.6	1.0	1.8	2.4	1.4	2.3	1.9	1.4	2.1	1.8	2	1.7	1.7	1.5	1.3	36.0
38.0						1.1		1.3	1.8		1.6	1.9		2.1	1.8	1.3	1.7	1.6		1.2	38.0
40.0									1.3		1.1	1.8		1.1	1.8		1.7	1.5			40.0
42.0												1.2			1.2		1.0	1.5			42.0
44.0																		1.1			44.0
46.0																					46.0
48.0																					48.0
50.0																					50.0
52.0																					52.0
54.0																					54.0
56.0																					56.0
58.0																					58.0
60.0																					60.0
62.0																					62.0
64.0																					64.0
66.0																					66.0
68.0																					68.0
70.0																					70.0
72.0																					72.0
74.0																					74.0
76.0																					76.0
78.0																					78.0
80.0																					80.0
82.0																					82.0
84.0																					84.0
86.0																					86.0
Reeving																					Reeving
Hook																					Hook

Note:

- ① Telescoping combination of 78.1 m boom length: 3333332
- ② Telescoping combination of 83 m boom length: 3333333



## Components, superstructure

### Main boom

- 8 boom sections made of 1100MPa high-tensile steel
- Optimal oviform boom profile of particular tensional rigidity, outstanding local stability and for the super lifting capacities
- Main boom length: 14.4 m - 88 m

### Jib

- Jib variants: 10.4 m, 17.5 m, 25.5 m (One section of 8 m jib extension is available for options.), 33.5 m (Two sections of 8 m jib extension are available for options.)
- The jib cannot be attached with the vehicle during driving.

### Telescoping system

- The telescopic boom is telescoped by the single-stage telescoping cylinder with hydraulic interlocking device.
- Rapid-cycle telescoping system with “automatic mode”, i.e. all-automatic telescoping to the desired boom length in sequence.

### Hoist gear

- Hydraulic motor + planetary reducer
- The main and auxiliary winches can be operated independently or simultaneously.
- High-performance rotation-resistant ropes can be used without swivel under load and can be arranged orderly on the drum; the press nipple can be used for rapid reeving change.

### Luffing gear

- One hydraulic cylinder, providing the boom with smooth luffing movements from  $-0.5^{\circ}$  to  $80^{\circ}$

### Slewing gear

- Two slewing gears, consisting of hydraulic motor and planetary reducer
- Slewing speed: 0 – 1.6 rpm

### Slewing table

- Box-type, torsion resistant design of high-tensile steel, providing super load bearing capacity

### Operator's cab

- 4.0 series spacious panoramic cab with sliding door, outward pushing windshield, front foot pedal, safe guard rail around the roof of the cab
- No instrument console and electric elements are in the front of the cab. And thus, you can have a good riding experience due to spacious room and comfortable feeling.
- Integrated bus key panel is compact, simple and reliable. Night vision background light is clear and makes night work safe.
- Vertical 10.4 inch two-in-one LCD (touch screen) integrates all of functions and has good observation angle. And thus, you can have good operation experience.
- It is with USB plug. And thus, it is chargeable.
- The cab can be tilted for  $0-20^{\circ}$  to improve operator's field of vision and reduce the operation intensity.

- 
- Cab heater and air conditioning.

### **Counterweight**

- 59t total counterweight among which 45t main body counterweights (5 pieces), 7t side counterweights (2 pieces)
- Counterweight combinations include 0t, 9t, 18t, 27t, 36t, 45t, 50t and 59t.

### **Hook**

- Hook: 110t, 90t, 70t (ramshorn hook), 70t (single hook), 60t (ramshorn hook), 25t, 8t.
- Among which, 60t (ramshorn hook) and 8t hooks are standard configurations. The rest ones are available for options.

### **Hood**

- In frame-type structure of high functionality and convincing design

### **Superstructure engine**

- Model: B5.9CS4 220C
- Type: 6-cylinder in line, water-cooled diesel with 4 stroke cycles, turbo-charged, intercooled
- Displacement: 5.9 L
- Rated maximum power / RPM: 154 kW at 2200 r/min
- Max. output torque / RPM: 820 N.m at 1300 -1700r/min
- Capacity of diesel oil tank: 220 L.

### **Control system**

- Superstructure operating mode consists of the electro-hydraulic proportional operation and the computer integrated control. Superstructure hydraulic system adopts open and closed combined system.
- It is of these functions such as the counterweight self-assembly and dismantling function, the operator's cab tilting angle adjustment function, which have good starting and braking stability as well as the higher system reliability.

### **Monitoring system**

- Applying the bus technology, the superstructure and the chassis can monitor the outrigger pressures and the tilting angle of the chassis frame in real time. And thus, prevent the dangerous situations from happening.
- The complete vehicle is equipped with several encoders and sensors which can monitor each system state of the vehicle in real time. Combining with the upgraded safety strategy, prevent the dangerous situations from happening. And thus, realize the high efficient safety operation.

## Components, chassis

### Engine

- Model: WP12.460E50
- Type: 6-cylinder in line, water-cooled diesel with 4 stroke cycles, turbo-charged, intercooled
- Displacement: 11.596 L
- Rated maximum power / RPM: 338 kW at 1900 r/min
- Max. output torque / RPM: 2110 N.m at 1000 -1400r/min
- Exhaust emission limit value: Europe V standard
- Capacity of diesel oil tank: 500 L.

### Transmission

- 12JZSD220A transmission system with automatic switching system manufactured by Shaanxi FAST Auto Drive Co., Ltd.
- 12 gears

### Axles

- Axle load: 13 tons
- All axles steer.
- Drive type: 10 × 6
- Axles 2, 4 and 5 are steer and drive axles. Axles 1 and 3 are steer and driven axles.
- The drive axles are equipped with the transversal differentials and differential locks. The through drive axle (axle 4) is equipped with longitudinal differential and differential lock.
- With disc brake and drum brake

### Outrigger

- H type two sectional outrigger, box-shaped section, made of high-tensile steel ( $\delta_s=960\text{MPa}$ )

### Tires

- Tubeless tire
- Tire size: 385/95R25 (basic configuration)
- Tire pressure: 1 MPa
- Rim type: 9.5 – 25
- Tightening torque of tire bolt: 650 – 700 N.m

## Steering system

- All-wheel variable steering system with 6 steering programs
- The steering system, which is mechanically and electro-hydraulically controlled, consists of a double-channel steering gear and the emergency steering system.
- Axles 1 and 2 are mechanically steered by the steering wheel. Axles 3, 4 and 5 are steered by the electro-hydraulic proportional control system.
- Steering of the booster cylinder is controlled by the PLC and proportional valve. Steering axles are equipped with angle sensors.
- During steering, the angle sensors will detect corresponding signals and will send the signals to PLC. PLC will calculate the steering angles required by each axle according to the selected steering mode and the steering angle of axle 1. Signals for the calculated target steering angles for each steering axle will be transmitted to the control plate for the proportional valve via the output port of PLC. The control plate will open proportional valve element to drive steering booster cylinders. In this way, axles are steered. At the same time, the angle sensor will detect the actual steering angles of steering axles and adjust the control signal of proportional valve until the feedback signals are equal to the command signals. Consequently, rear axles can be rapidly, correctly and reliably steered depending on the speed and steering angle of axle 1.

## Suspension

- All axles with hydro-pneumatic suspension and automatic leveling system
- Load equalization between the axle pairs
- The axles are hydro-pneumatically sprung via hydraulic cylinders and are hydraulically lockable. Entire vehicle can be raised or lowered and its left / right side can also be raised or lowered independently. All tires can be raised or lowered after the crane is supported on outriggers.
- The synchronized extension and retraction movements of suspension cylinders can be realized by the speed control valve fitted in the oil line of suspension control valve.

## Brake system

- It consists of service brake, parking brake (emergency brake) and auxiliary brake.
- Service brake: dual-circuit air brake system, acting on 5 wheel hubs
- Parking brake (Emergency brake): spring-loaded brake, acting on 4 wheel hubs
- Auxiliary brake: engine exhaust brake

## Electrical system

- The chassis adopts two N200 batteries which are series connected (the rated voltage of each battery is 12 V). The electrical system is single-wired. The negative pole is earthed via the battery master switch to form a circuit with 24 V output voltage.
- The batteries comply with the requirements stipulated in GB/T5008.1-2013 *Lead-acid Starter Batteries — Technical Requirements and Methods of Tests*.
- The standard generator is an alternator (28 Volt and 70 Ah).

## Driver's cab

The low-mounted, full-width and all-metal welded spacious cab with flexible lining is of convincing design and outstanding functionality

The control elements and displays are arranged according to ergonomic factors, thus for safe and convenient handling at permanent operation

The cab is with the following features:

- Height and inclination adjustable steering wheel, sliding windows, windshield wiper & washing device and large reflectors
- Luxurious instrument console equipped with all kinds of instruments (multifunctional electronic instrument), control lights, control switches, cigarette lighter and MP3 player and so on
- Adjustable cab heater / defroster and air conditioning
- Rearview camera
- The multifunctional integral electronic instrument in multiple interfaces with convenient interactive functions is independently developed by Zoomlion. It has a touch screen. It not only can display the common information about the crane during normal driving, but also can display the vehicle steering status. You can set and modify the steering mode and hydro-pneumatic suspension via switching over the screens.
- 3 comfortable seats with armrests and seat belts.
- The pneumatically suspended driver's seat can be adjusted automatically to suit any driver height and size.